

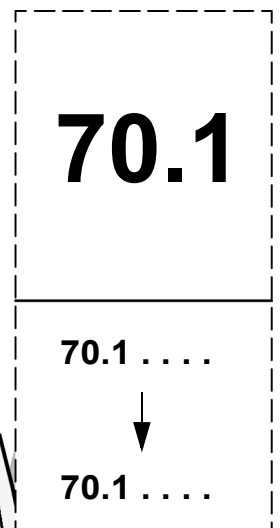
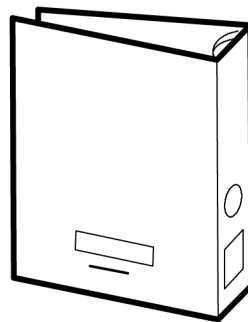
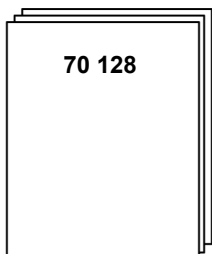
# 70 128 - GB - 11/2003

## ELECTRICS

RANGE	FAMILY	VARIANT
PREMIUM	22AA P 4X2	-
	22AB P 4X2	
	22CA	
	22CC T 4X2	
	22EE P 6X2/4	
	22HA P 6X2/4	
	22HB P 6X2/4	
	22JJ T 6X2 PUSHER	
	22QQ P 6X2	
	22RR T 6X2	



The above information may change in the course of time. Only the "Consult" section of the workshop manuals repertory in standard N° 10320 serves as reference.



## CONTENTS

---

<b>Generalities</b> .....	<b>A-1 → 5</b>
---------------------------	----------------

---

<b>Electrical diagram</b> .....	<b>B-1 → 95</b>
---------------------------------	-----------------

---

<b>Pinpointing of appliances</b> .....	<b>C-1 → 73</b>
--	-----------------

---

<b>Trailer sockets</b> .....	<b>D-1 → 5</b>
------------------------------	----------------

---

<b>Electrical distribution</b> .....	<b>E-1 → 4</b>
— Fuses .....	E1-2 → 9
— Relays .....	E2-1 → 3
— Diode(s) outside distribution box .....	E3-1 → 1
— Distribution box .....	E4-1 → 17

---

<b>Available power supplies</b> .....	<b>F-1 → 5</b>
---------------------------------------	----------------

---

<b>Dealer Network and Customer Follow-up</b> .....	<b>G-1 → 2</b>
--	----------------

**GENERALITIES**

## Warnings

In this document, safety instructions are symbolized as follows:



**DANGER!** NON-OBSERVANCE OF THE PROCEDURE DESCRIBED OR LACK OF CARE OR ATTENTION, RISK CAUSING SERIOUS INJURY OR EVEN DEATH.



**WARNING!** Any different or inappropriate working method risks causing damage to the product.

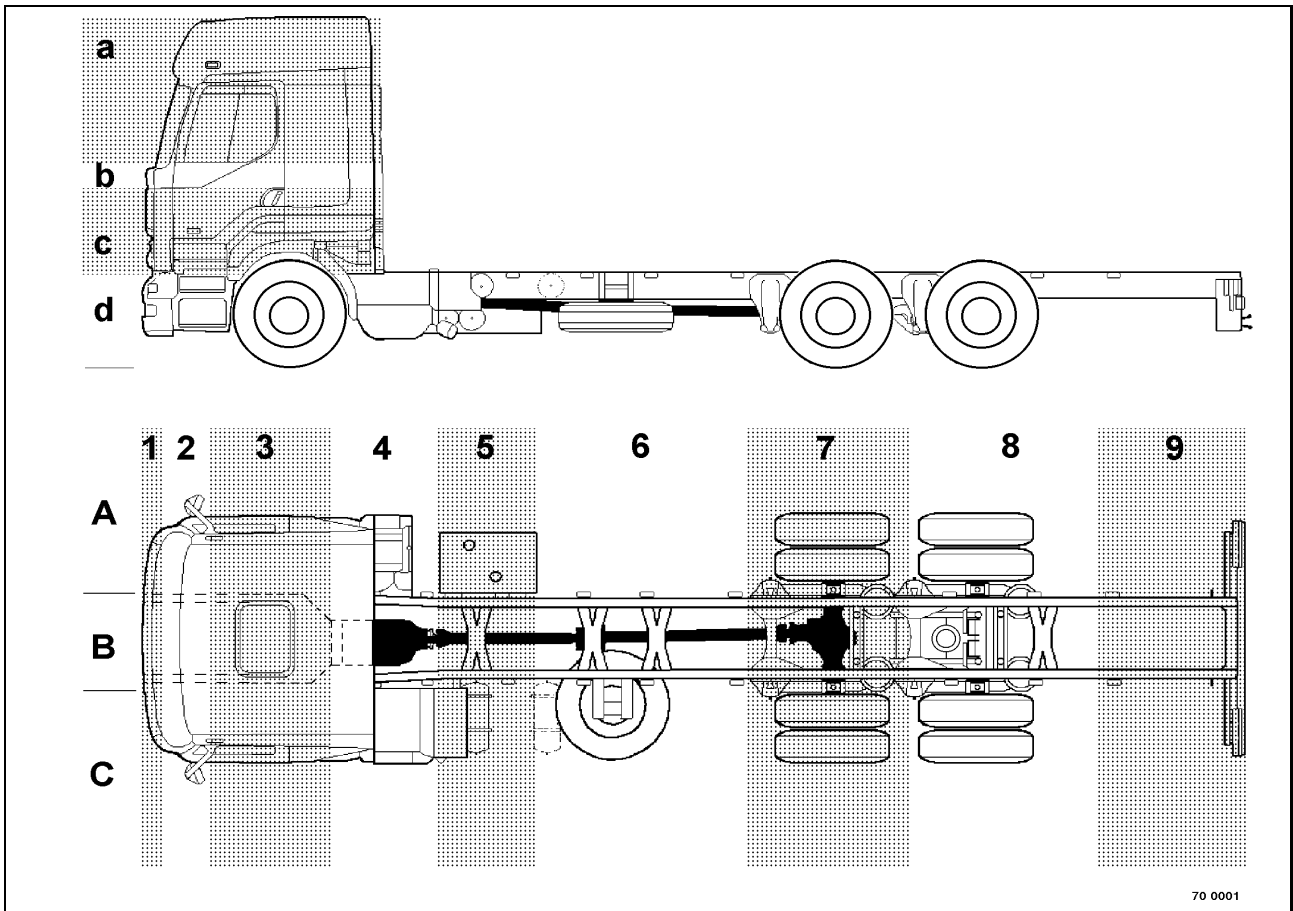


**NOTE!** Draws attention to particular or important points of the method.



**Comply without fail with the regulations in force relative to the recovery and treatment of used parts and waste.**

## VEHICLE VOLUMINAL BREAKDOWN



70 0001

The vehicle is broken down into several zones each designated by an item number.

Heightwise breakdown

Reserved for the bodywork, 4 zones designated by a small letter

Widthwise breakdown

3 zones designated by a capital letter

A: RH side and RH sidemember

B: Central part

C: LH side and LH sidemember

Lengthwise breakdown:

9 zones designated by a figure.

Zone 7 is specific for **6x4 - 6x6**.

Zone 1 indicates:

- on the chassis, the bumper and the components it supports.

- on the cab, the front end components accessible through the grille

Example:

A1: bumper RH section (headlamps, ...)

C3: LH front wheel (ABS sensor, ...)

C2b: dashboard

A3c: passenger's seat

## Wiring harnesses

Each plate represents the routing of one or several wiring harnesses connected to a sub-assembly or function. The outline of the vehicle pinpoints the wiring harnesses.

Connectors identified by the letter "C" followed by figures are indicated on each harness.

A key opposite each plate defines their assignment.

The detail of the connectors connected to wiring harnesses on the plate enable the polarity of each pocket to be situated.

Key to connectors:

C129 .....4618 - Driver's overhead lamp

C129: connector item number

4618: appliance reference number

Driver's overhead light: key to the apparatus

The appliance reference number and key provide the link to the electrical diagram.

Optional wiring harnesses:

Connectors assigned with indexes "\*1" or "\*2" belong to optional harnesses.

Example of connector reference number:

C129: connector on standard harness

C137 \*<sub>1</sub>: connector on option 1 harness

C141 \*<sub>2</sub>: connector on option 2 harness

At the end of the key is shown the make-up of each optional harness.

Detail of connectors:

Each drawing represents the structure of a connector.

Example:

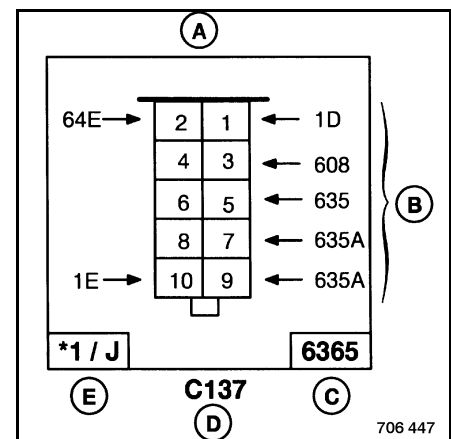
A: Outline of the connector

B: Item number and location of the wires

C: Reference number of the appliance

D: Item number of the connector

E: Option and/or colour of the connector



## Electrical distribution

The cab electrical distributing box contains the majority of the fuses and relays necessary for operation of the vehicle.

Fuses and relays that are connected on the electrical distribution box are represented as surrounded by a fine dotted line in the electrical diagram.

Each face of the electrical distribution box is detailed in the "Electrical distribution unit" chapter.

The chassis-cab connection box enables the information to be found inside the cab to cross the bulkhead and be routed to the outside and vice versa.

Each connector of the chassis-cab connection box is detailed in the "Electrical distribution unit" chapter.

## Precautions to be taken when making electrical measurement readings

### Protection of appliances



Bearing in mind the presence of numerous electronic appliances, the use of a test lamp is to be avoided. Preferably use a needle or digital type multi-meter.



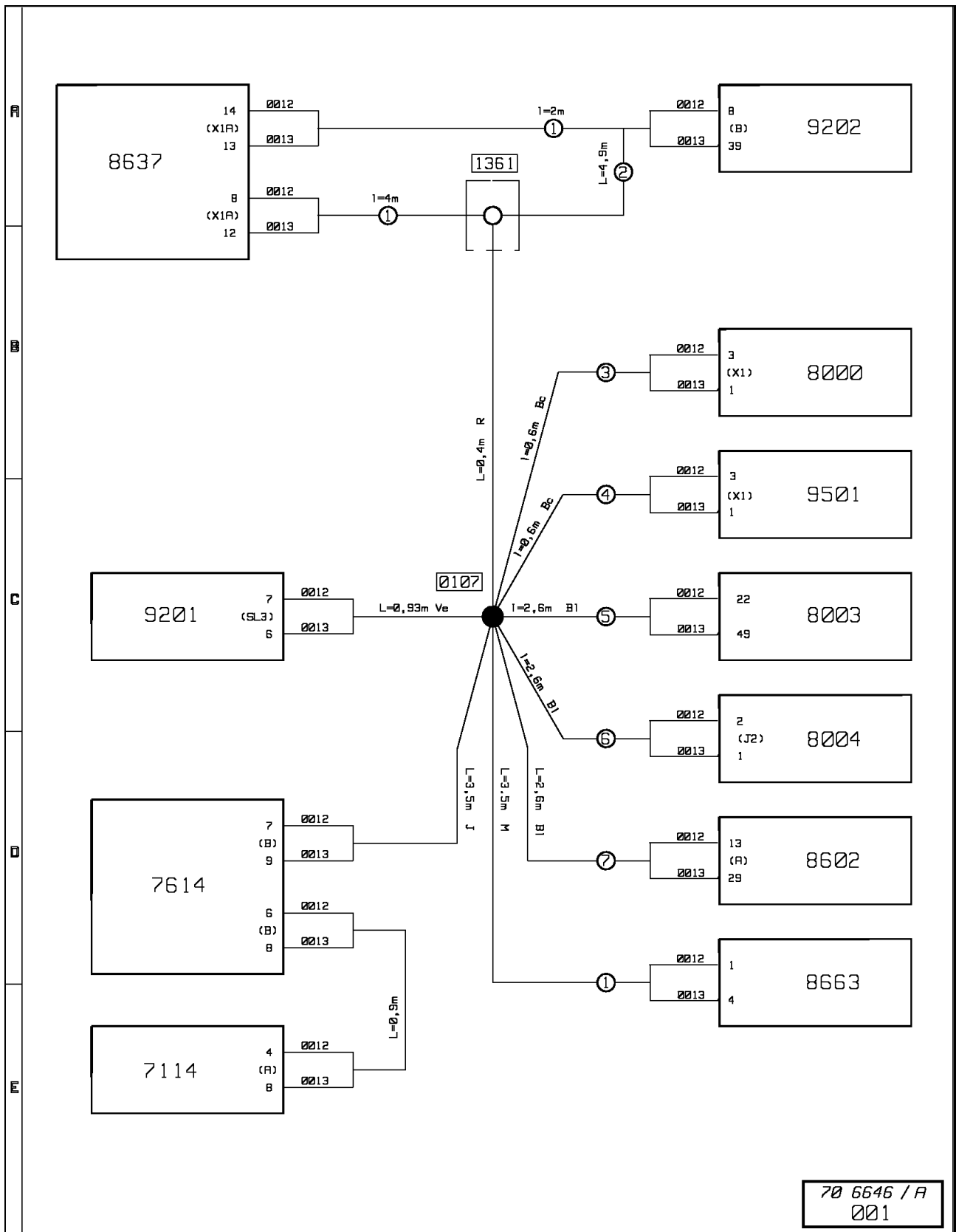
It is forbidden to apply voltage to the terminals of electronic appliances or you may cause irreparable damage to the hardware. Consequently, no line continuity measurement should be made on the wires without having previously disconnected the appliances from the lines concerned.





**ELECTRICAL DIAGRAM**

CAN BUS "J1939" architecture



**CAN BUS "J1939" architecture****Key to appliances**

<b>Code N°</b>	<b>Name of function</b>	<b>Location</b>
<b>0107</b>	CAN bus soldering	-
<b>1361</b>	Connecting strip	-
<b>7114</b>	Electronic tachograph	C2b
<b>7614</b>	Principal display	A2b
<b>8000</b>	"ABS" ECU	A2c
<b>8003</b>	Hydraulic retarder ECU	A2C
<b>8004</b>	Electric retarder ECU	A2c
<b>8602</b>	Automatic gearbox ECU	A2c
<b>8637</b>	Gearbox management ECU	A2b
<b>8663</b>	Gear control lever or gearshift control box	B3c
<b>9201</b>	Vehicle master ECU (VECU)	B3c
<b>9202</b>	Engine master ECU (EECU)	B3C
<b>9501</b>	"EBS" ECU	A2c

**1:** with "ASTRONIC" gearbox

**2:** without "ASTRONIC" gearbox

**3:** with "ABS" braking system

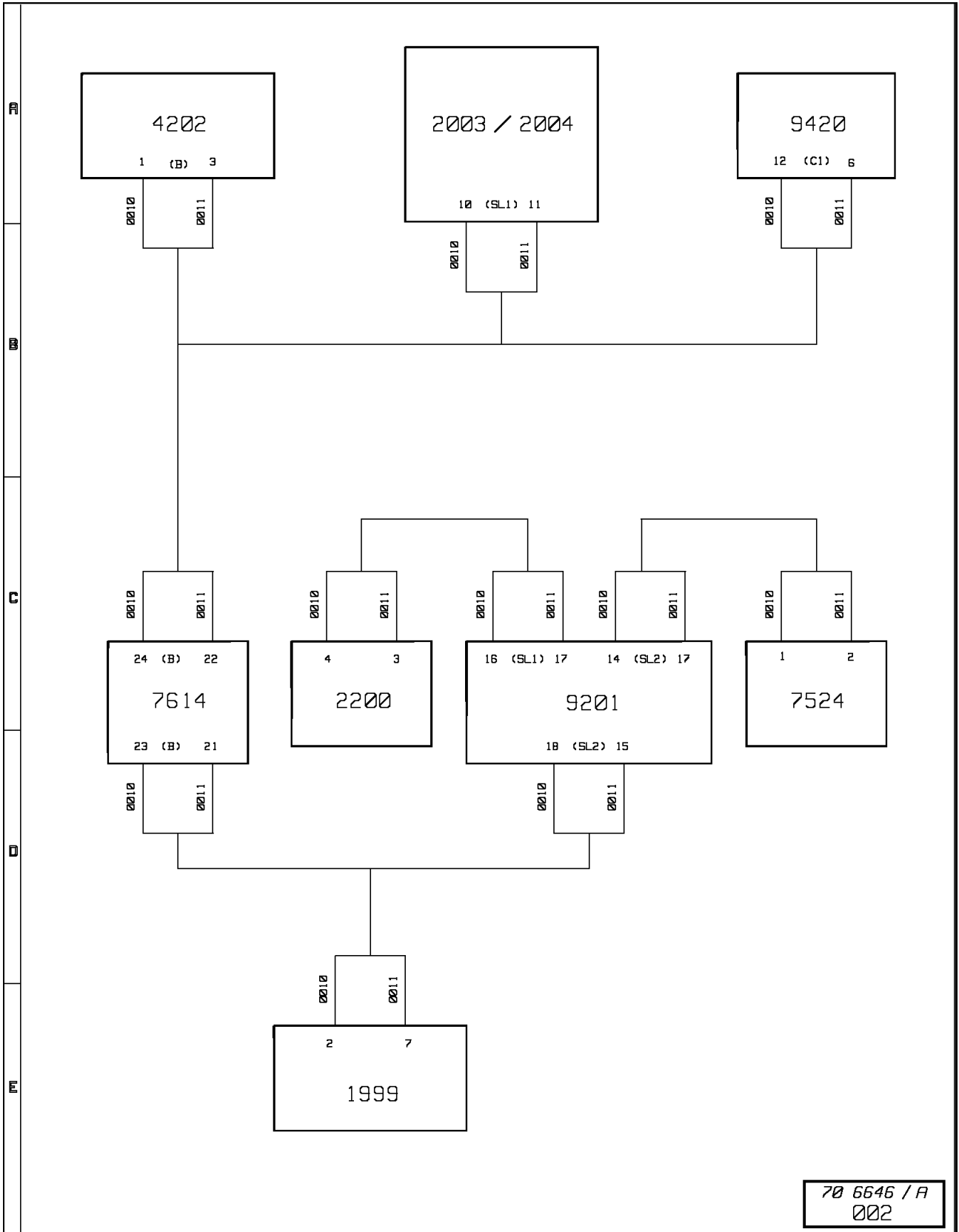
**4:** with "EBS" braking system

**5:** with electric retarder

**6:** with electronically controlled electric retarder

**7:** with "ALLISON" gearbox

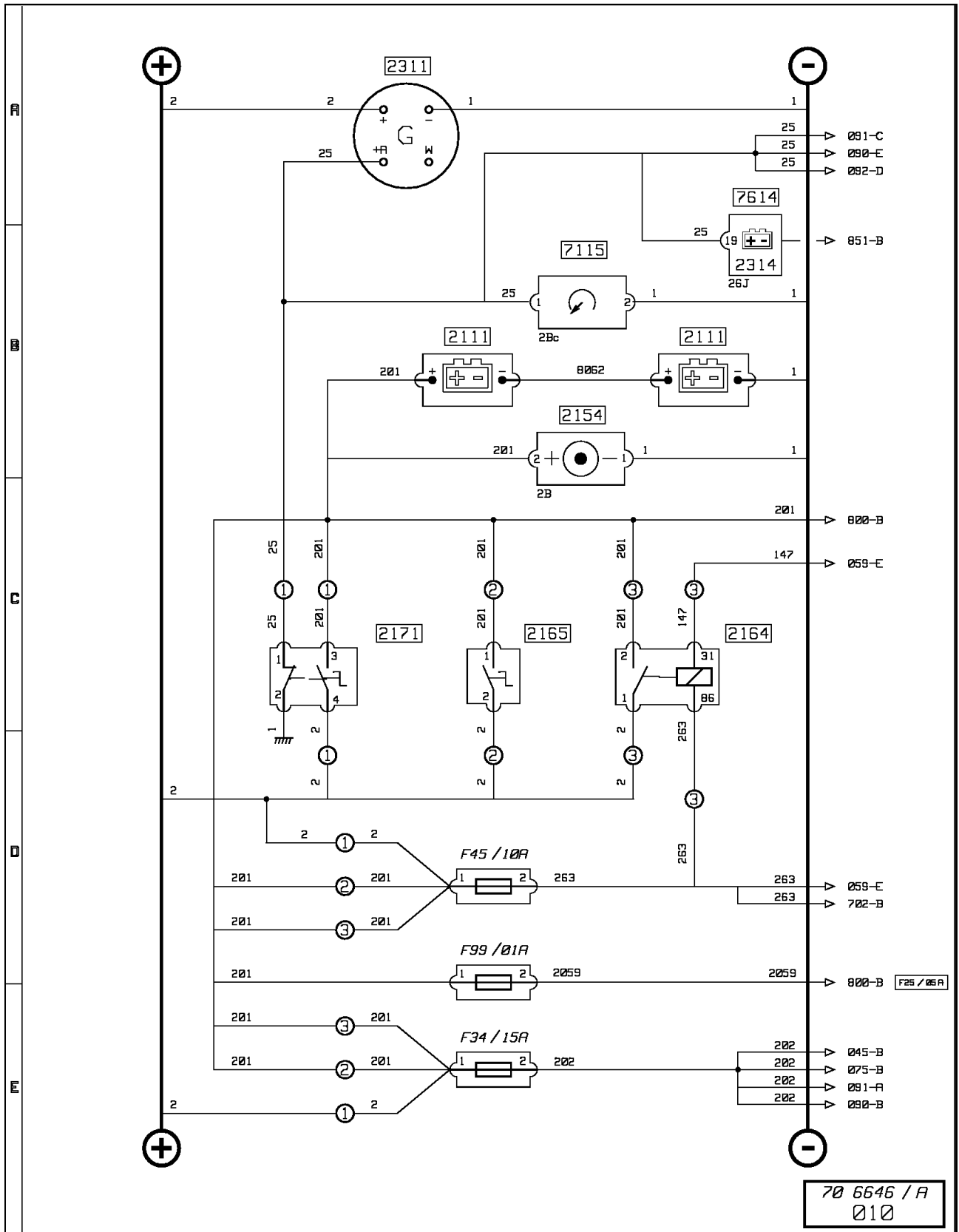
### CAN BUS "J1587" architecture



**CAN BUS "J1587" architecture****Key to appliances**

<b>Code N°</b>	<b>Name of function</b>	<b>Location</b>
<b>1999</b>	ECU for bodybuilder pre-arrangement	A2c
<b>2003</b>	Onboard management pre-arrangement (ECU)	C3c
<b>2004</b>	Onboard management pre-arrangement (computer)	B2c
<b>2200</b>	Anti-theft electronic box	C2a
<b>4202</b>	Radio	C2a
<b>7524</b>	"SAE" diagnostic socket	C3c
<b>7614</b>	Principal display	A2b
<b>9201</b>	Vehicle master ECU (VECU)	B3c
<b>9420</b>	Anti-theft alarm ECU	C2a

### Energy production



**Energy production****Key to appliances**

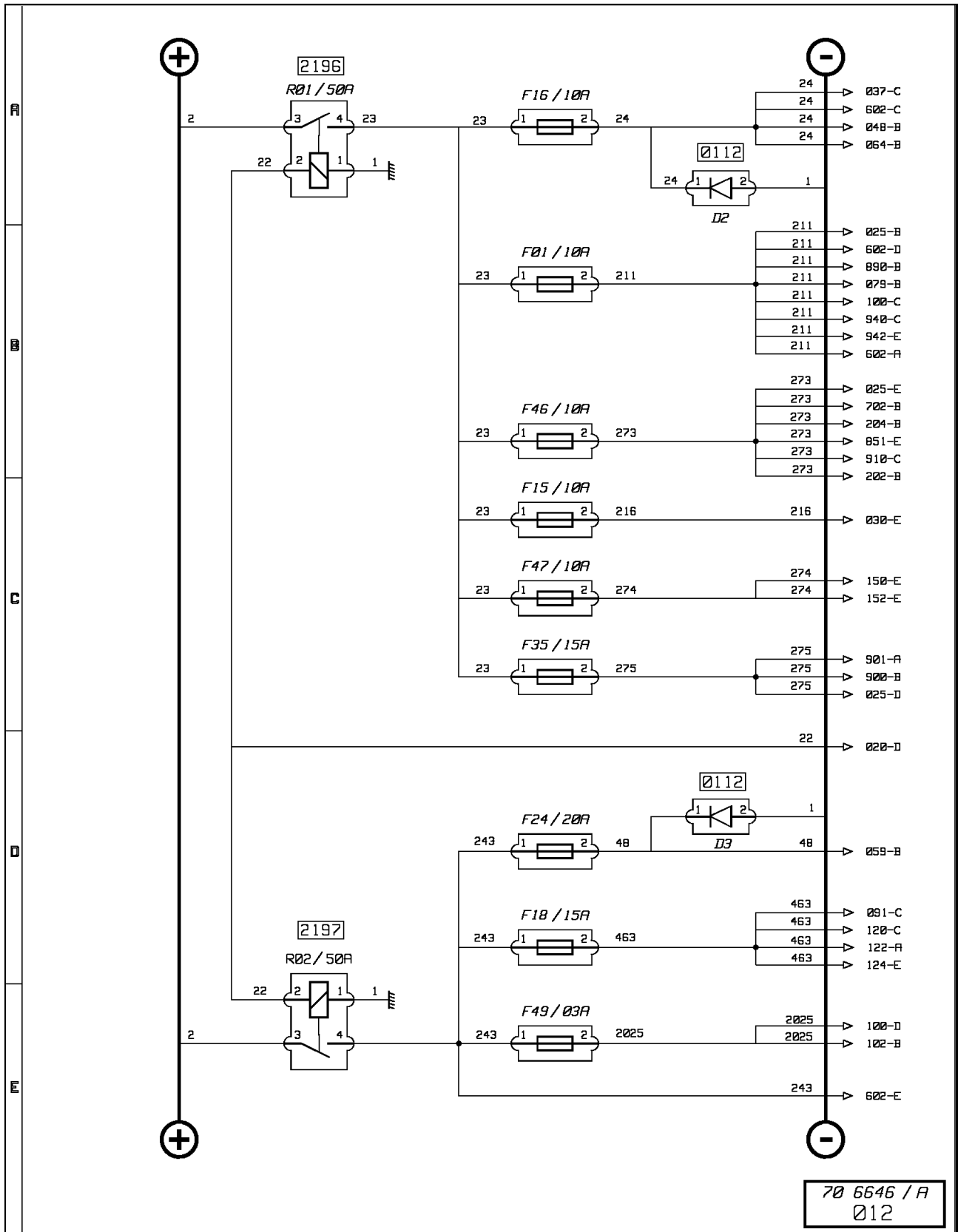
<b>Code N°</b>	<b>Name of function</b>	<b>Location</b>
<b>2111</b>	Battery (set of batteries)	C4d
<b>2154</b>	Plug socket (150 Amps)	C4d
<b>2164</b>	Electrical master switch	C4d
<b>2165</b>	Master switch	C4d
<b>2171</b>	Pneumatic master switch	C4d
<b>2311</b>	Alternator	B2c
<b>2314</b>	Battery charge warning lamp	C2b
<b>7115</b>	Hourmeter	A3c
<b>7614</b>	Principal display	C2b

1: with "ADR" master switch

2: with mechanical master switch

3: with electrical master switch

After ignition distribution

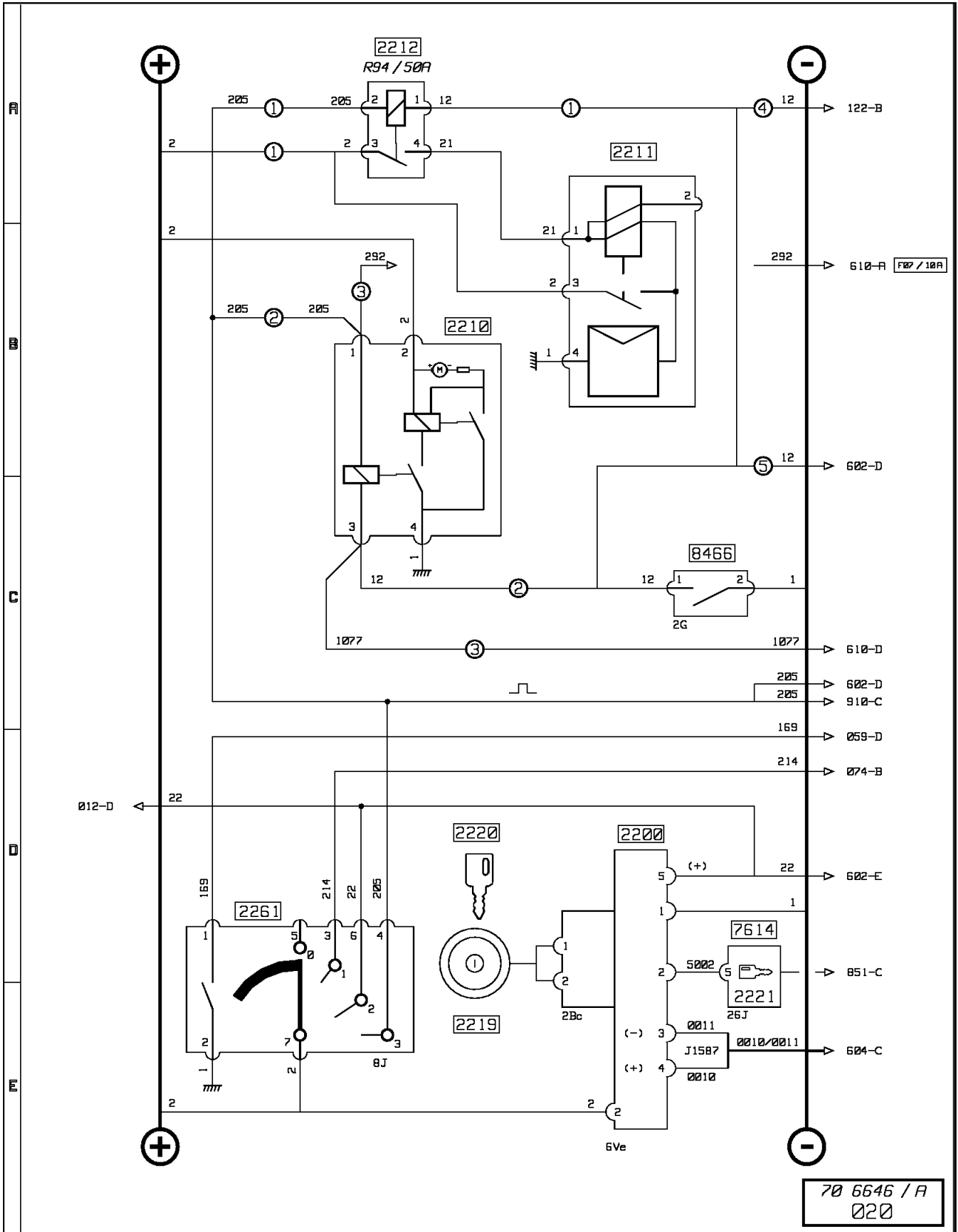




**After ignition distribution****Key to appliances**

<b>Code N°</b>	<b>Name of function</b>	<b>Location</b>
0112	Diode(s)	-
2196	After ignition power supply relay N°1	A2c
2197	After ignition power supply relay N°2	A2c

Engine starting

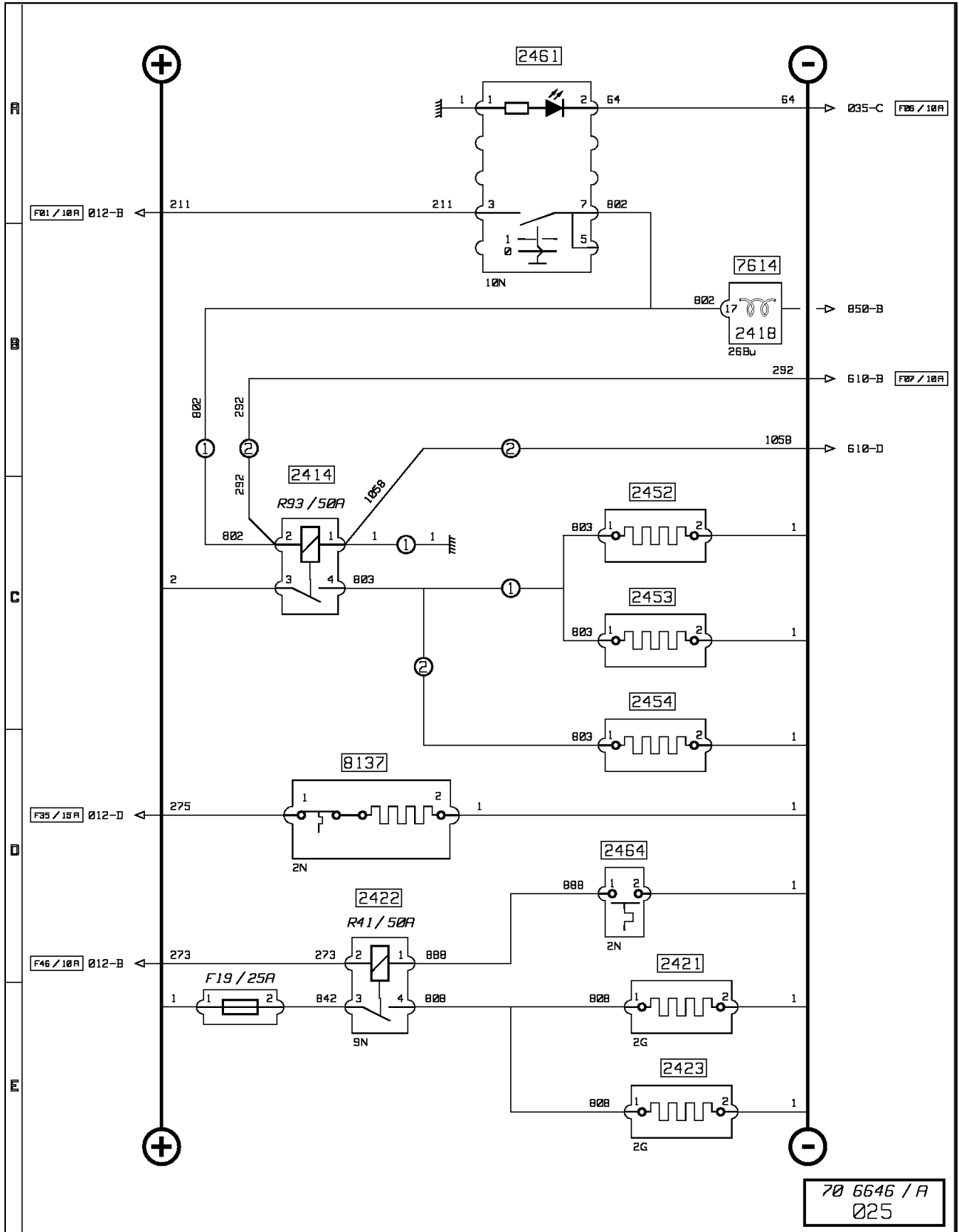


**Engine starting****Key to appliances**

<b>Code N°</b>	<b>Name of function</b>	<b>Location</b>
<b>2200</b>	Anti-theft electronic box	C2a
<b>2210</b>	Starter with integrated relay	B3c
<b>2211</b>	Starter	B3c
<b>2212</b>	Starting relay	A2c / B3c
<b>2219</b>	Transponder antenna	C2a
<b>2220</b>	Transponder ignition key	C2a
<b>2221</b>	Electronic anti-theft "Information" warning lamp	C2b
<b>2261</b>	Steering lock and starting control	C2b
<b>7614</b>	Principal display	C2b
<b>8466</b>	Neutral switch position sensor	B4d

- 1: with standard starter (engine **dCi6**)
- 2: with standard starter (engine **dCi11**)
- 3: with electronically managed starter
- 4: with "ALLISON" gearbox
- 5: with other gearboxes

### Engine starting aid



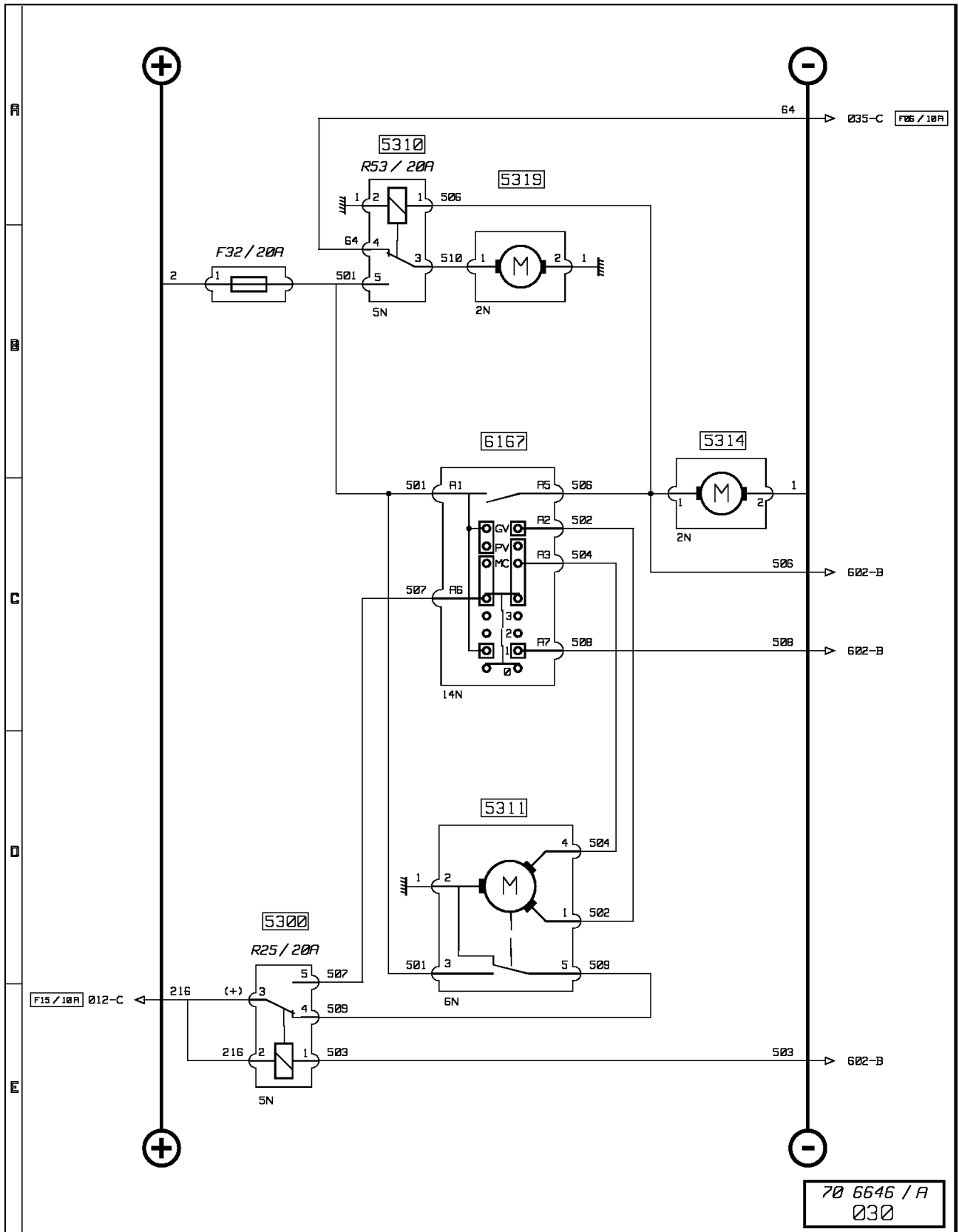
**Engine starting aid****Key to appliances**

<b>Code N°</b>	<b>Name of function</b>	<b>Location</b>
2414	Preheating relay N°1	B3d / B2c
2418	Preheating warning lamp	C2b
2421	Fuel preheater resistor N°1	B3c
2422	Fuel preheater relay	A2b
2423	Fuel preheater resistor N°2	B3c
2452	Preheating resistor N°1	B3c
2453	Preheating resistor N°2	B3c
2454	Preheating resistor N°3	B3c
2461	Engine preheating control	B2b
2464	Fuel preheater thermal switch	C3c / B3d
7614	Principal display	C2b
8137	Air dryer heater	A1a

1: with engine **dCi11**

2: with engine **dCi6**

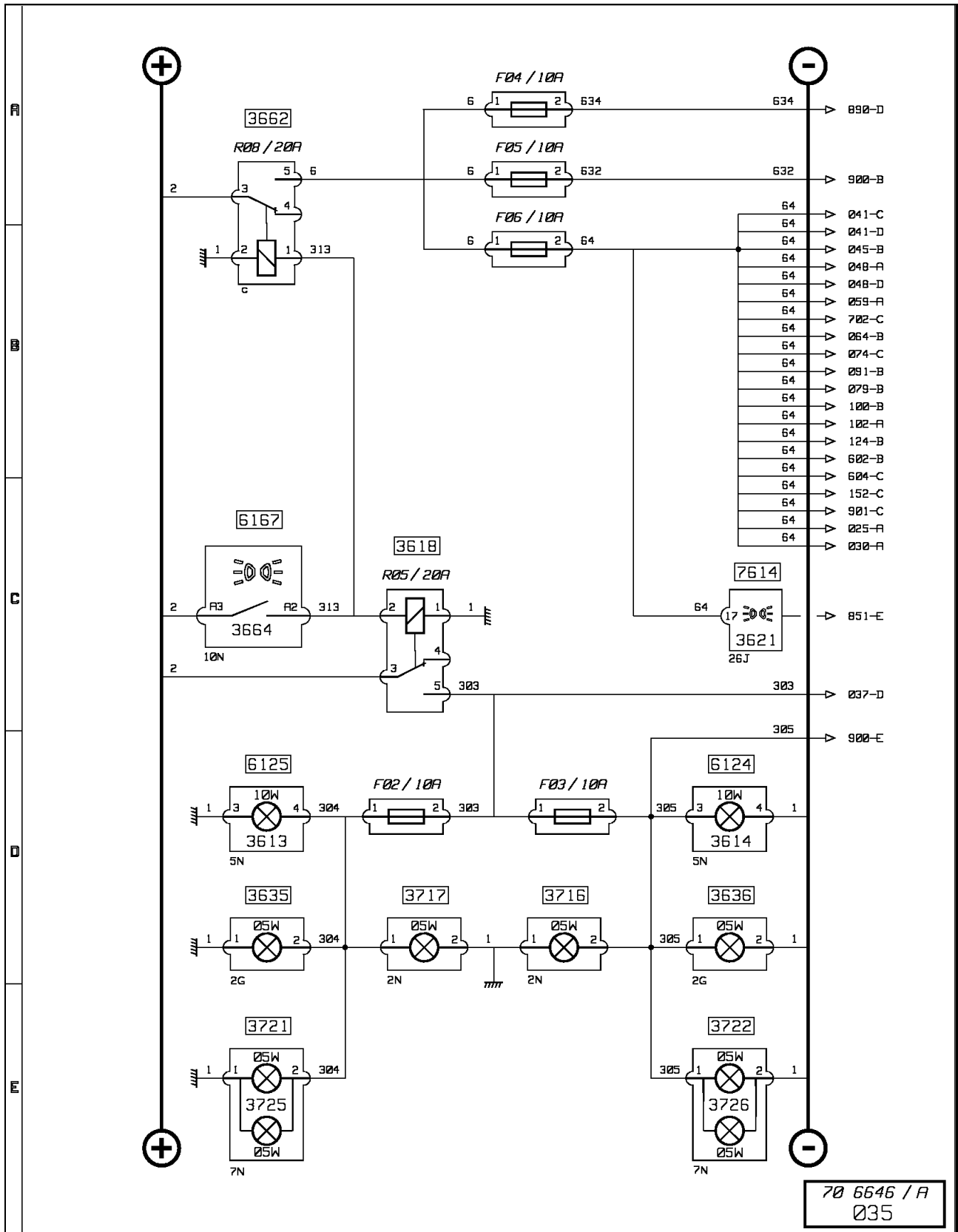
### Windscreen wiper(s) and headlamps wash



**Windscreen wiper(s) and headlamps wash****Key to appliances**

<b>Code N°</b>	<b>Name of function</b>	<b>Location</b>
<b>5300</b>	Windscreen wiper power supply relay	A2c
<b>5310</b>	Headlamps wash pump time-delay power supply relay	A2c
<b>5311</b>	Windscreen wiper motor	B1c
<b>5314</b>	Windscreen wash pump	C1c
<b>5319</b>	Headlamps wash pump motor	A2d
<b>6167</b>	Steering column fingertip controls	C2b

Side/parking lights

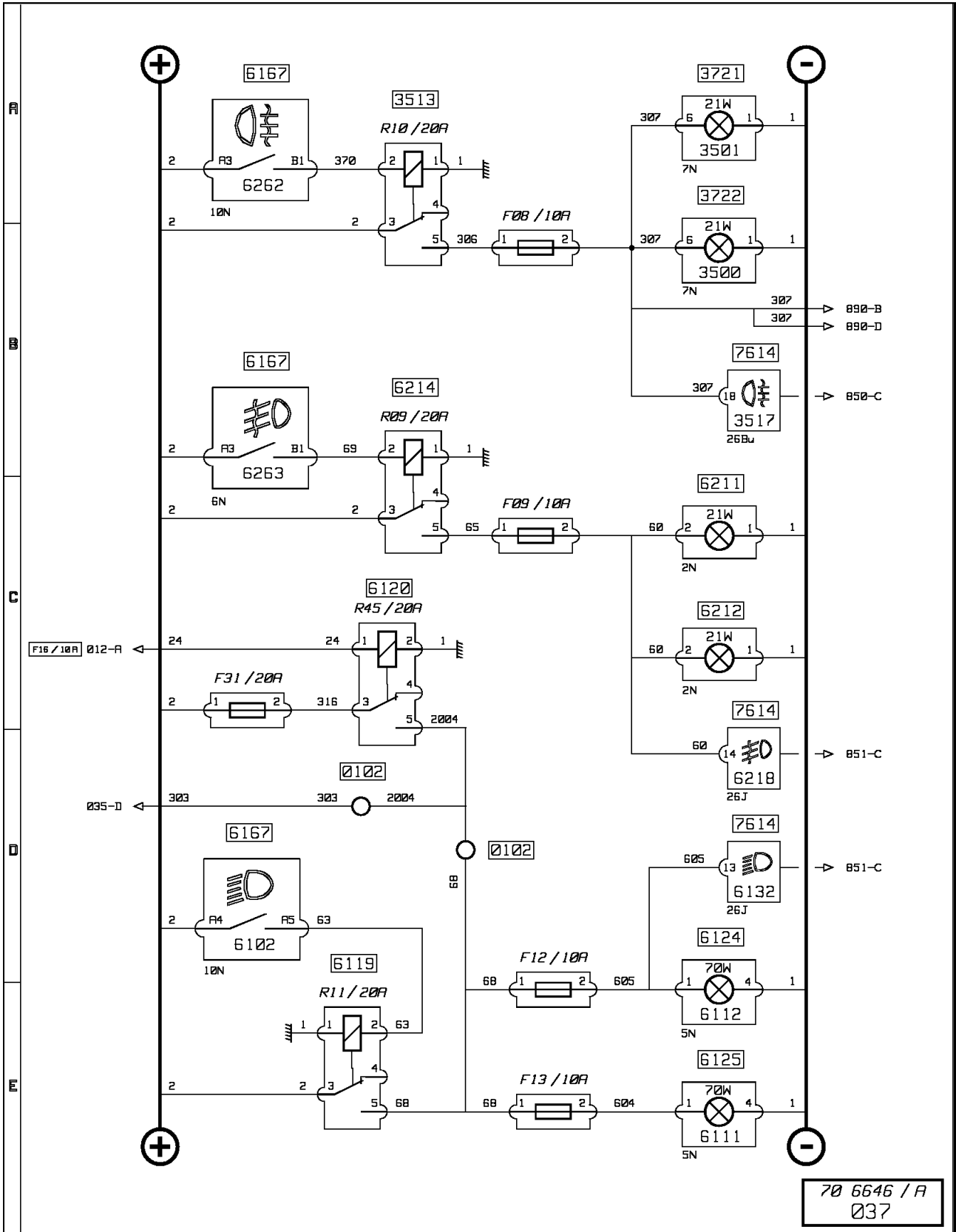




**Side/parking lights****Key to appliances**

<b>Code N°</b>	<b>Name of function</b>	<b>Location</b>
<b>3613</b>	RH front side/parking lamp	A1d
<b>3614</b>	LH front side/parking lamp	C1d
<b>3618</b>	Side/parking lights power supply relay N°1	A2b
<b>3621</b>	Side/parking lights warning lamp	C2b
<b>3635</b>	RH marker lights (bodybuilder equipment)	A2c
<b>3636</b>	LH marker lights (bodybuilder equipment)	A2c
<b>3662</b>	Lighting power supply relay	A2b
<b>3664</b>	Side/parking lights control	C2b
<b>3716</b>	LH central marker lamp	C5d
<b>3717</b>	RH central marker lamp	A4d
<b>3721</b>	RH rear light(s) (flashing, stop, fog, reversing, side/parking)	A9d
<b>3722</b>	LH rear lights (flashing, stop, fog, reverse, side/parking)	C9d
<b>3725</b>	RH rear side/parking lamp	A9d
<b>3726</b>	LH rear side/parking lamp	C9d
<b>6124</b>	Headlight, dipped headlight and left side lamp	C1d
<b>6125</b>	Headlight, dipped headlight and right side lamp	A1d
<b>6167</b>	Steering column fingertip controls	C2b
<b>7614</b>	Principal display	C2b

Fog and fog driving lights / Dipped beam headlights

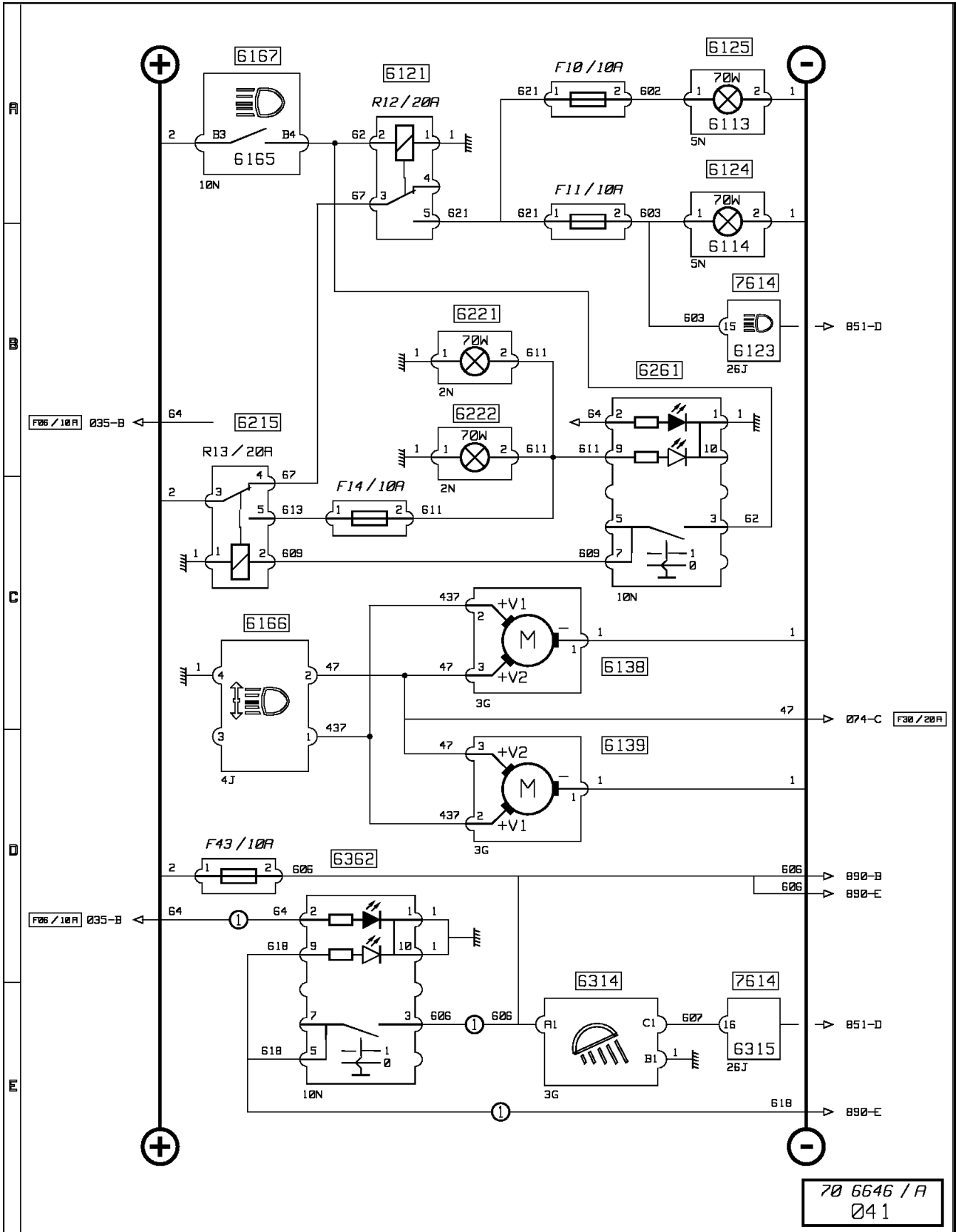


## Fog and fog driving lights / Dipped beam headlights

## Key to appliances

Code N°	Name of function	Location
0102	Electrical connection terminal	-
3500	LH fog lamp	C9d
3501	RH fog lamp	A9d
3513	Fog light(s) power supply relay	A2b
3517	Fog light(s) warning lamp	C2b
3721	RH rear light(s) (flashing, stop, fog, reversing, side/parking)	A9d
3722	LH rear lights (flashing, stop, fog, reverse, side/parking)	C9d
6102	Dipped beam headlights control	C2b
6111	RH dipped beam headlamp	A1d
6112	LH dipped beam headlamp	C1d
6119	Dipped beam headlights relay	A2b
6120	Daytime lights relay	A2b
6124	Headlight, dipped headlight and left side lamp	C1d
6125	Headlight, dipped headlight and right side lamp	A1d
6132	Dipped beam headlights warning lamp	C2b
6167	Steering column fingertip controls	C2b
6211	LH fog driving lamp	C1d
6212	RH fog driving lamp	A1d
6214	Fog driving lights relay	A2b
6218	Fog driving lights warning lamp	C2b
6262	Fog driving lights control	B2b
6263	Fog driving light(s) control	B2b
7614	Principal display	C2b

### Main beam headlights and extra lights

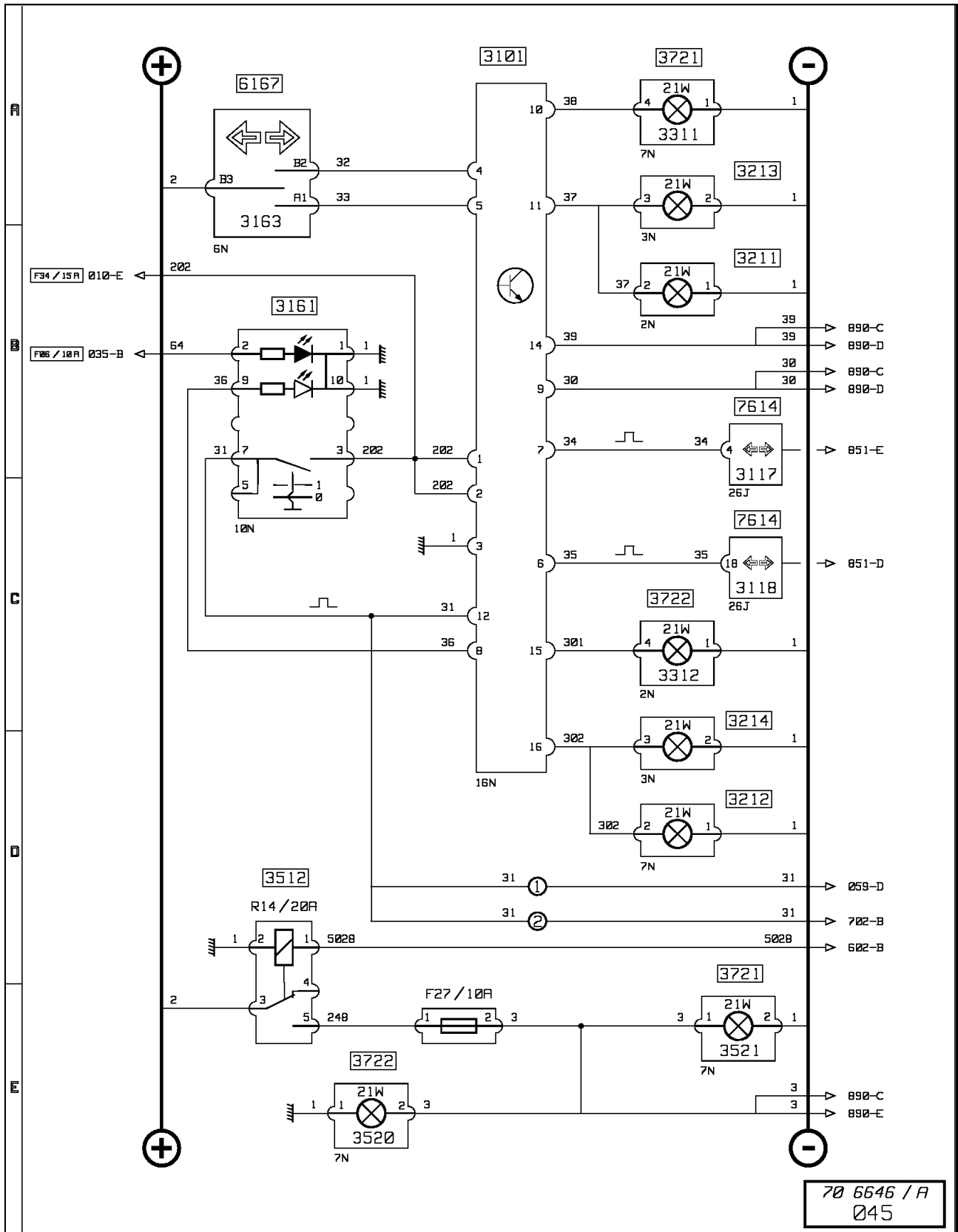


**Main beam headlights and extra lights****Key to appliances**

<b>Code N°</b>	<b>Name of function</b>	<b>Location</b>
6113	RH main beam headlamp	A1d
6114	LH main beam headlamp	C1d
6121	Main beam headlights power supply relay	A2b
6123	Main beam headlights warning lamp	C2b
6124	Headlight, dipped headlight and left side lamp	C1d
6125	Headlight, dipped headlight and right side lamp	A1d
6138	LH headlight adjustment motor	C2d
6139	RH headlight adjustment motor	A2d
6165	Main beam headlights control	C2b
6166	Headlights adjustment control	C2b
6167	Steering column fingertip controls	C2b
6215	Long range driving lights power supply relay	A2b
6221	RH long range driving lamp	A1d
6222	LH long range driving lamp	C1d
6261	Long range driving lights control	B2b
6314	Working floodlamp (tractor)	C4c
6315	Working floodlight warning lamp	C2b
6362	Working floodlight control	C2a
7614	Principal display	C2b

1: with "ADR" equipment

### Direction change indication



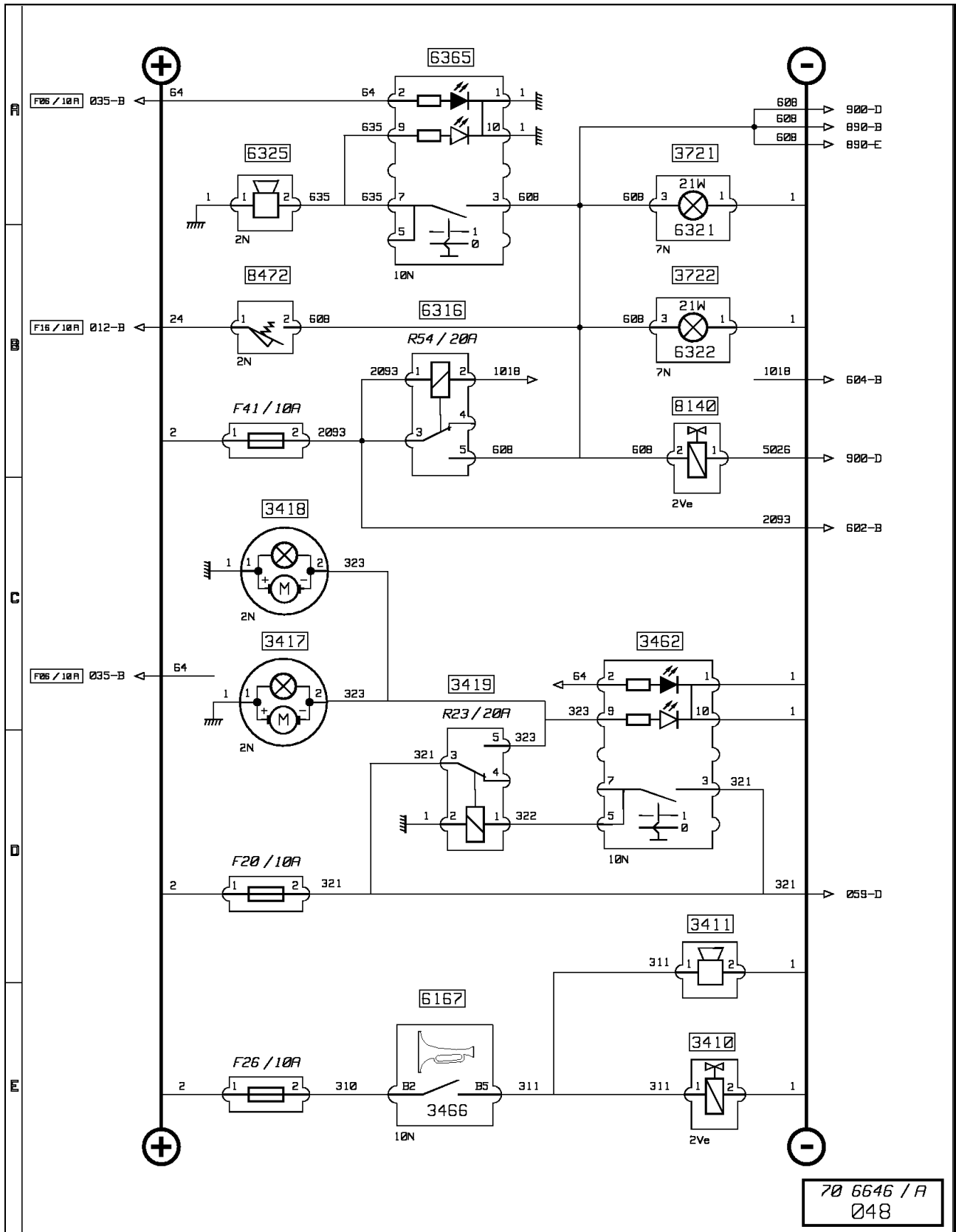
**Direction change indication****Key to appliances**

<b>Code N°</b>	<b>Name of function</b>	<b>Location</b>
<b>3101</b>	Flasher unit	A2a
<b>3117</b>	Rigid or tractor flasher repeater lamp	C2b
<b>3118</b>	Trailer flasher repeater lamp	C2b
<b>3161</b>	Hazard lights control	B2b
<b>3163</b>	Direction indicator control	C2b
<b>3211</b>	RH front direction indicator lamp(s)	A1d
<b>3212</b>	LH front direction indicator lamp(s)	C1d
<b>3213</b>	RH side flashing lamp	A3d
<b>3214</b>	LH side flashing lamp	C2d
<b>3311</b>	RH rear direction indicator lamp(s)	A9d
<b>3312</b>	LH front direction indicator lamp(s)	C9d
<b>3512</b>	Stop lights power supply relay	A2b
<b>3520</b>	LH rear stop lamp	C9d
<b>3521</b>	RH rear stop lamp	A9d
<b>3721</b>	RH rear light(s) (flashing, stop, fog, reversing, side/parking)	A9d
<b>3722</b>	LH rear lights (flashing, stop, fog, reverse, side/parking)	C9d
<b>6167</b>	Steering column fingertip controls	C2b
<b>7614</b>	Principal display	C2b

1: without alarm

2: with alarm

### Reversing lights and horns

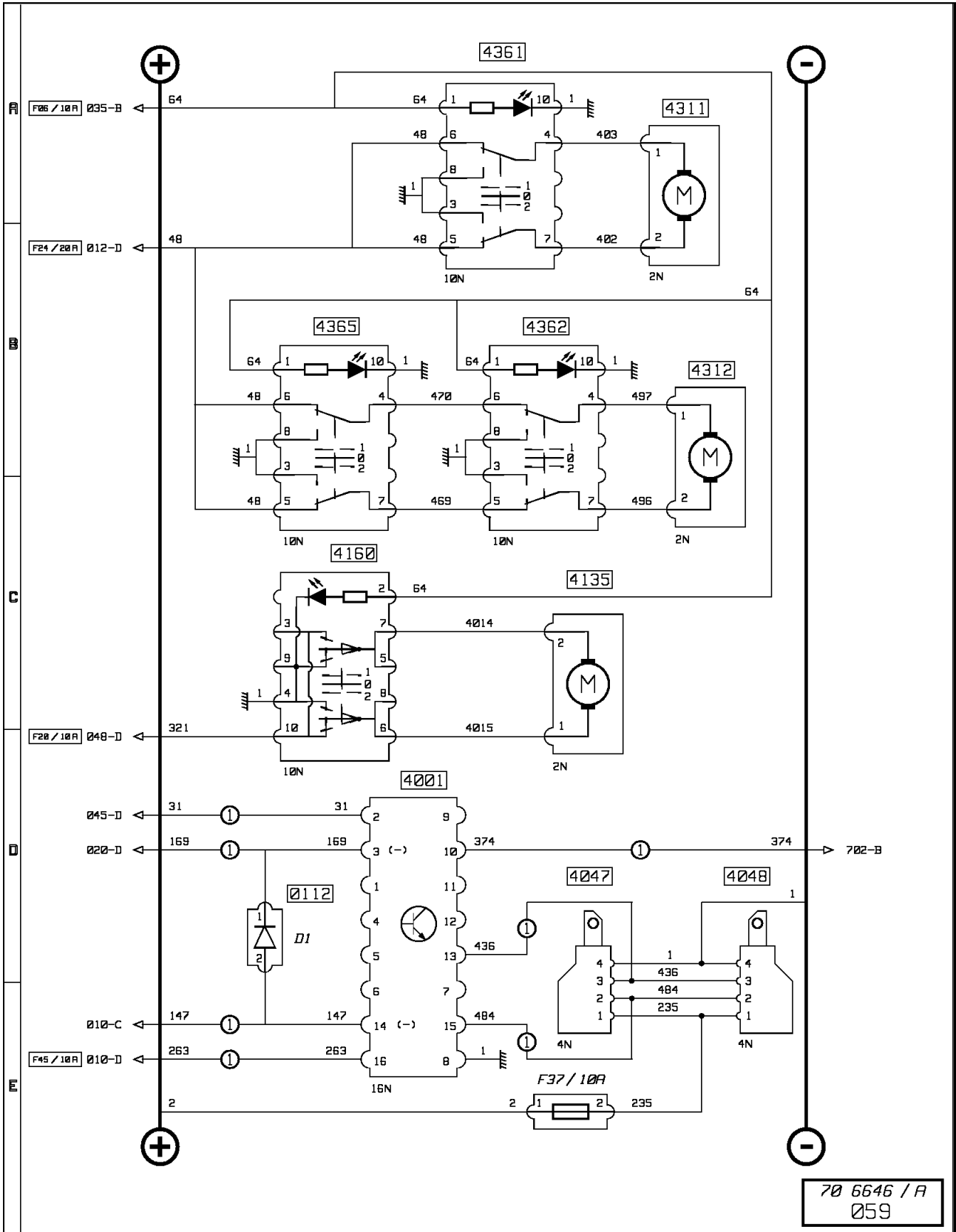




**Reversing lights and horns****Key to appliances**

<b>Code N°</b>	<b>Name of function</b>	<b>Location</b>
<b>3721</b>	RH rear light(s) (flashing, stop, fog, reversing, side/parking)	A9d
<b>3722</b>	LH rear lights (flashing, stop, fog, reverse, side/parking)	C9d
<b>3410</b>	Roof trumpet horn solenoid valve	C2d
<b>3411</b>	Horn	A2d
<b>3417</b>	Revolving beacon 1	C3a
<b>3418</b>	Revolving beacon 2	A3a
<b>3419</b>	Revolving beacon(s) power supply relay	A2b
<b>3462</b>	Revolving beacon(s) control	C2a
<b>3466</b>	Horn control	C2b
<b>6167</b>	Steering column fingertip controls	C2b
<b>6316</b>	Reversing lights power supply relay	A2c
<b>6321</b>	RH reversing lamp	A9d
<b>6322</b>	LH rear reversing lamp	C9d
<b>6325</b>	"Reversing" external buzzer	B9d
<b>6365</b>	"Reversing" buzzer control	C2a
<b>8140</b>	Braking circuit electrovalve (reversing safety)	C5d
<b>8472</b>	Reverse gear switch	B4d

Electric window raiser / Sunroof

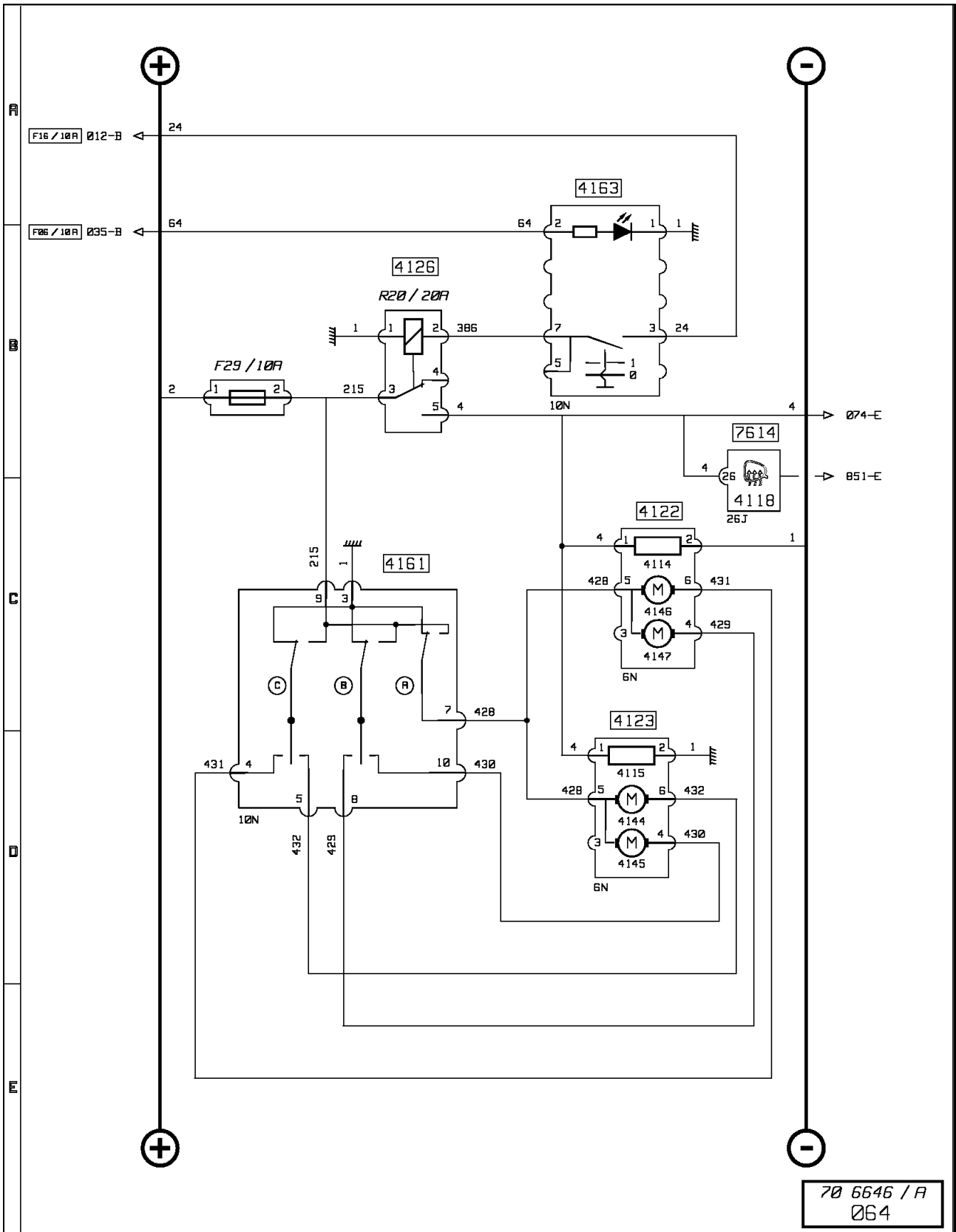


**Electric window raiser / Sunroof****Key to appliances**

<b>Code N°</b>	<b>Name of function</b>	<b>Location</b>
<b>0112</b>	Diode(s)	B2a / C2b / A2c
<b>4001</b>	Central locking box (doors)	B2a
<b>4047</b>	Passenger's side electric striker motor	A3b
<b>4048</b>	Driver's side electric striker motor	C3b
<b>4135</b>	Electric roof ventilator motor	B3a
<b>4160</b>	Electric roof ventilator control	C2a
<b>4311</b>	Driver's window winder motor	C2c
<b>4312</b>	Passenger's window winder motor	A2c
<b>4361</b>	Driver's window winder control	C2b
<b>4362</b>	Passenger's window winder control	A2b
<b>4365</b>	Passenger's window winder control (driver's side)	C2b

1: with remote controlled central door locking

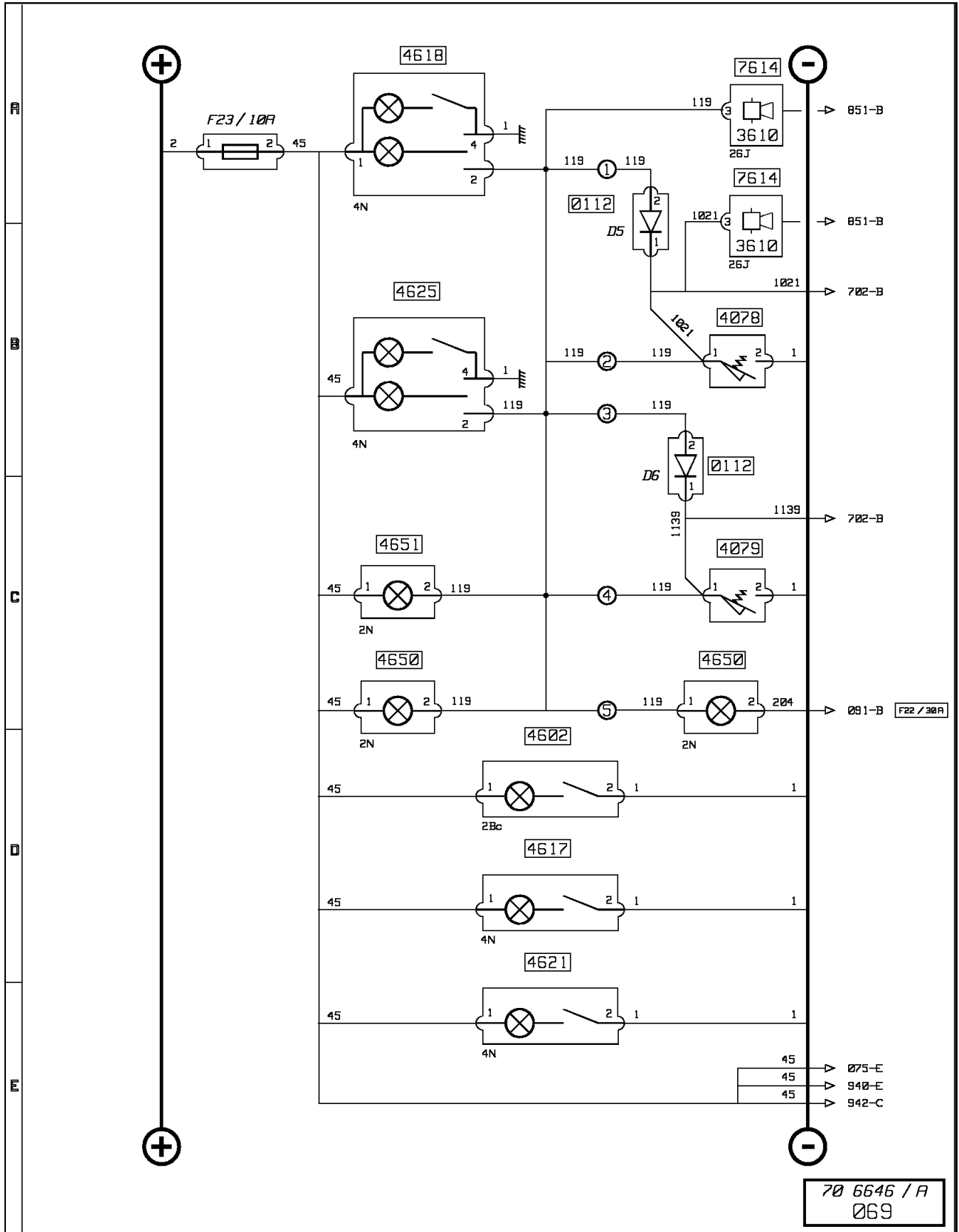
### Swivelling heated rearview mirrors



**Swivelling heated rearview mirrors****Key to appliances**

<b>Code N°</b>	<b>Name of function</b>	<b>Location</b>
4114	LH defrosting rearview mirror	C2a
4115	RH de-icing rearview mirror	A2a
4118	Defrosting rearview mirrors warning lamp	C2b
4122	LH swivelling defrosting rearview mirror	C2a
4123	RH swivelling defrosting rearview mirror	A2a
4126	Defrosting rearview mirrors resistor power supply relay	A2c
4144	RH rearview mirror horizontal swivelling control	A2a
4145	RH rearview mirror vertical swivelling control	A2a
4146	LH rearview mirror horizontal swivelling control	C2a
4147	LH rearview mirror vertical swivelling control	C2a
4161	External rearview mirrors swivelling control	C2b
4163	Defrosting rearview mirror control	C2a
7614	Principal display	C2b

Comfort lighting

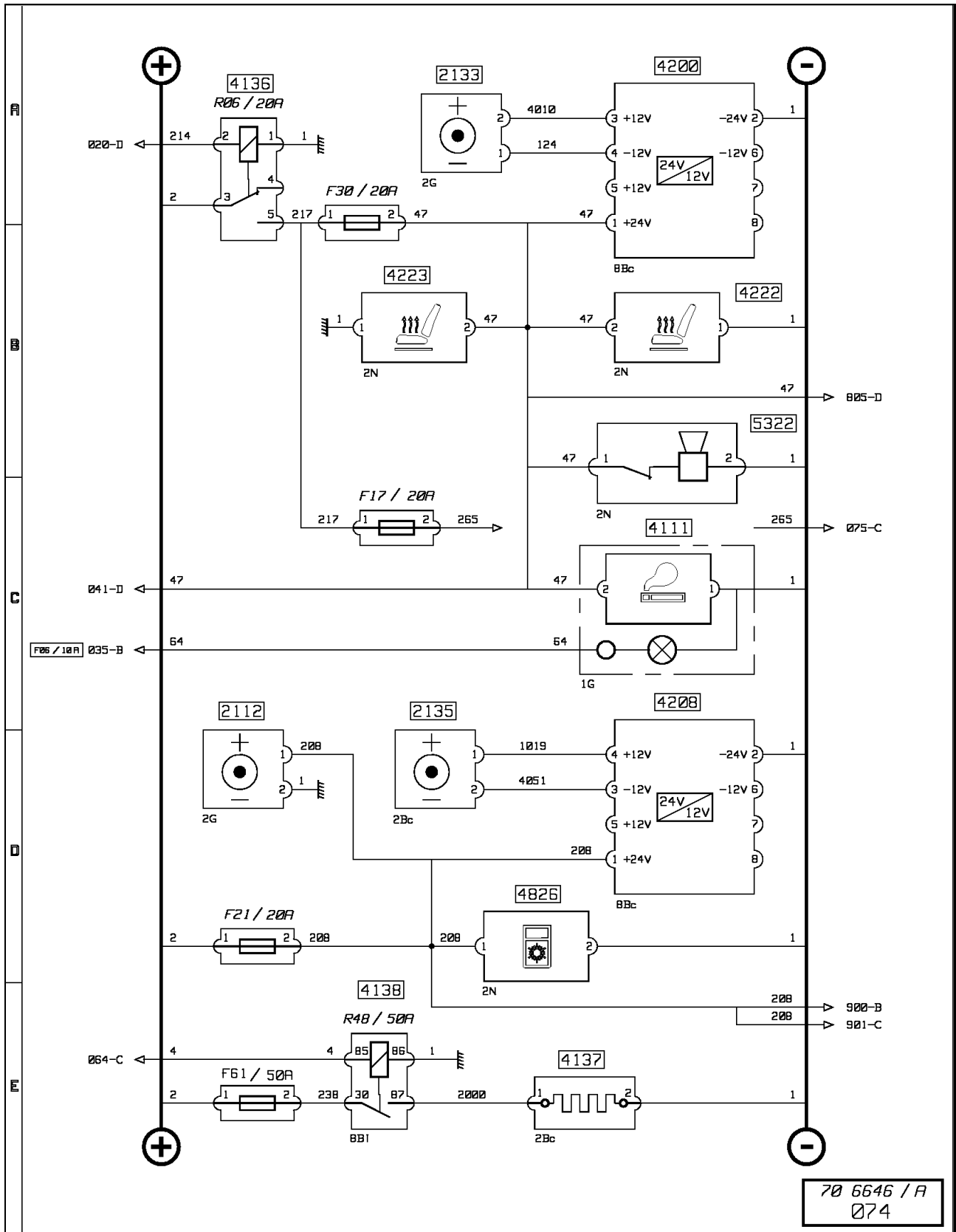


**Comfort lighting****Key to appliances**

<b>Code N°</b>	<b>Name of function</b>	<b>Location</b>
<b>0112</b>	Diode(s)	B2a / C2b / A2c
<b>3610</b>	Lights forgotten alarm	C2b
<b>4078</b>	Drivers door switch	C2c
<b>4079</b>	Passenger's door switch	A2c
<b>4602</b>	Rear map reader lighting	C4a
<b>4617</b>	Top bunk overhead lamp	C4a
<b>4618</b>	Driver's overhead lamp	B2a
<b>4621</b>	Bottom bunk overhead lighting	C4a
<b>4625</b>	Passenger's overhead lamp	B2a
<b>4650</b>	Driver's step lighting	C2c
<b>4651</b>	Passenger's step lighting	A2c
<b>7614</b>	Principal display	C2b

- 1: with "ASTRONIC" gearbox or alarm  
2: without "ASTRONIC" gearbox and without alarm  
3: with alarm  
4: without alarm  
5: "SINGLE" cab specific

Comfort accessories

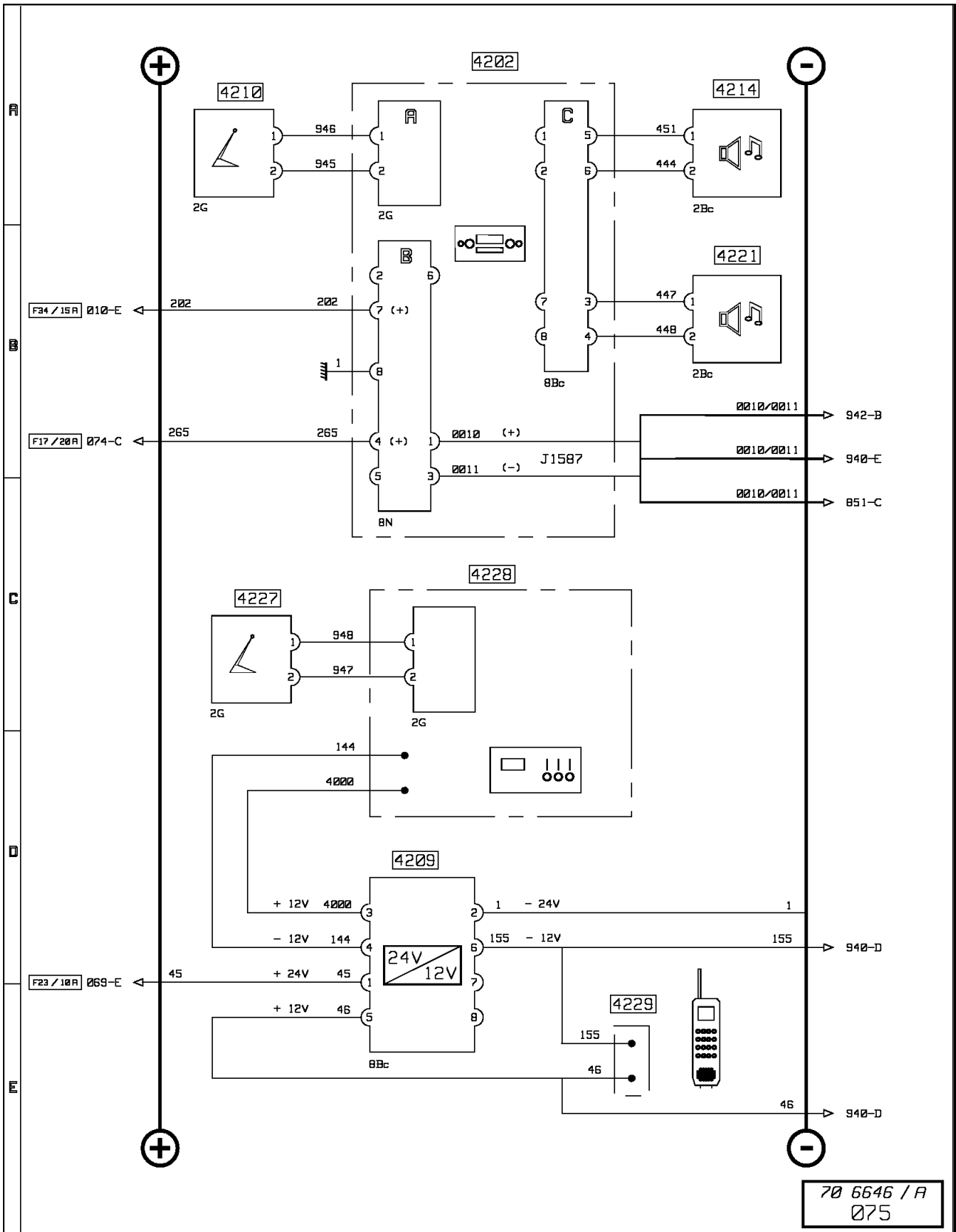




**Comfort accessories****Key to appliances**

<b>Code N°</b>	<b>Name of function</b>	<b>Location</b>
2112	"24 Volts" plug socket	C2c
2133	"12 Volts" plug socket	B2b
2135	Extra 12V socket	B2b
4111	Cigar lighter	C2b
4136	Comfort accessories power supply relay	A2c
4137	Windscreen defrosting resistor	A1a
4138	Windscreen defrosting resistor power supply time-delay relay	B1c
4200	Voltage dropper (12 Volt socket)	A2c
4208	Voltage dropper (24V / 12V) - Secondary 12 Volts socket	A2c
4222	Driver's heated seat resistor	C3c
4223	Passenger's heated seat resistor	A3c
4826	Refrigerator	B3c
5322	Driver's seat belt not attached warning buzzer	C3c

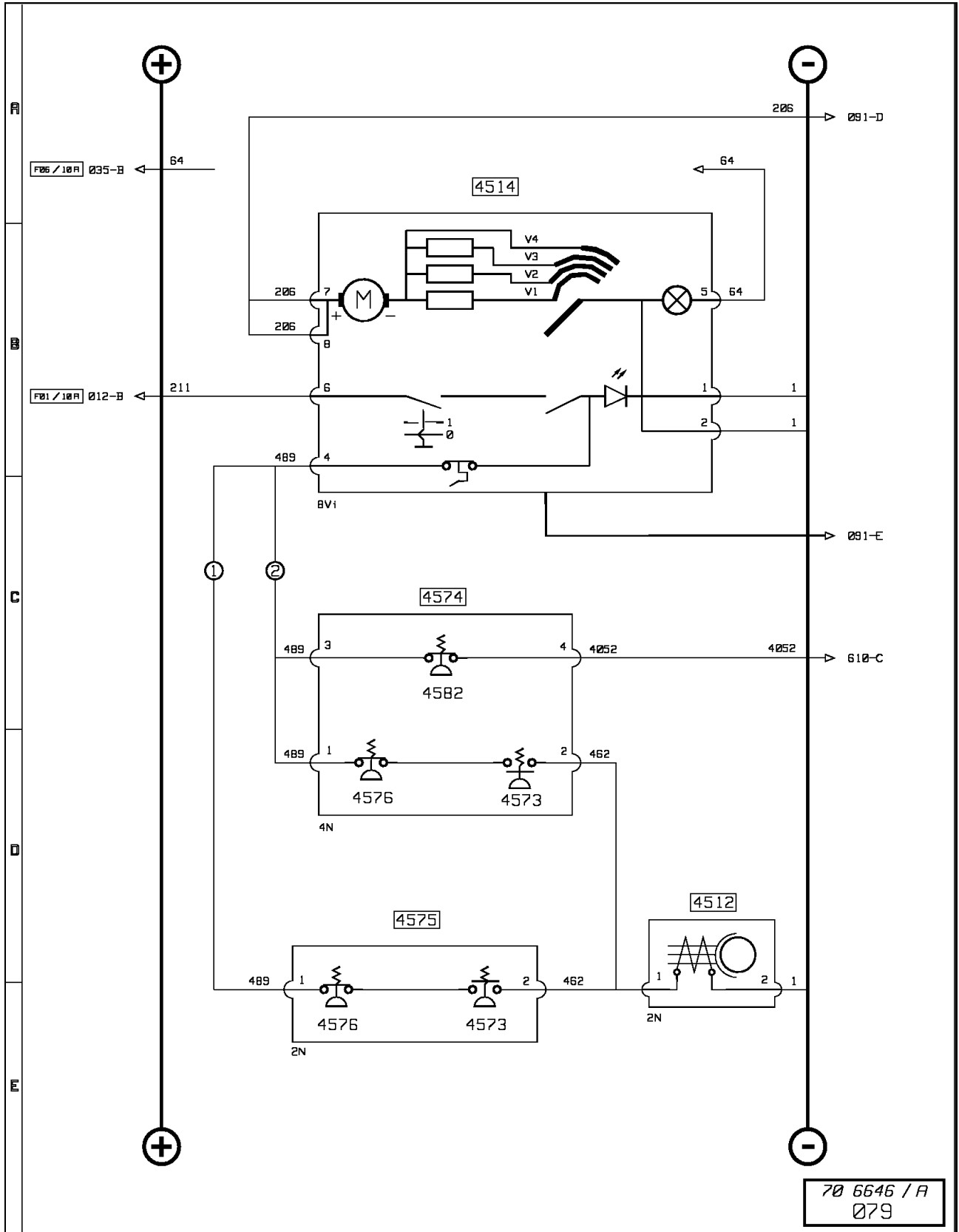
### Radio, CB radio and telephone



**Radio, CB radio and telephone****Key to appliances**

<b>Code N°</b>	<b>Name of function</b>	<b>Location</b>
4202	Radio	C2a
4209	Voltage dropper (24V / 12V) - telecommunications	C2a
4210	Antenna	B2a
4214	Driver's loudspeaker	C2b
4221	Passenger's loudspeaker	A2a
4227	CB antenna	C3a
4228	CB radio	C2a
4229	Telephone	C2a

### Air conditioning



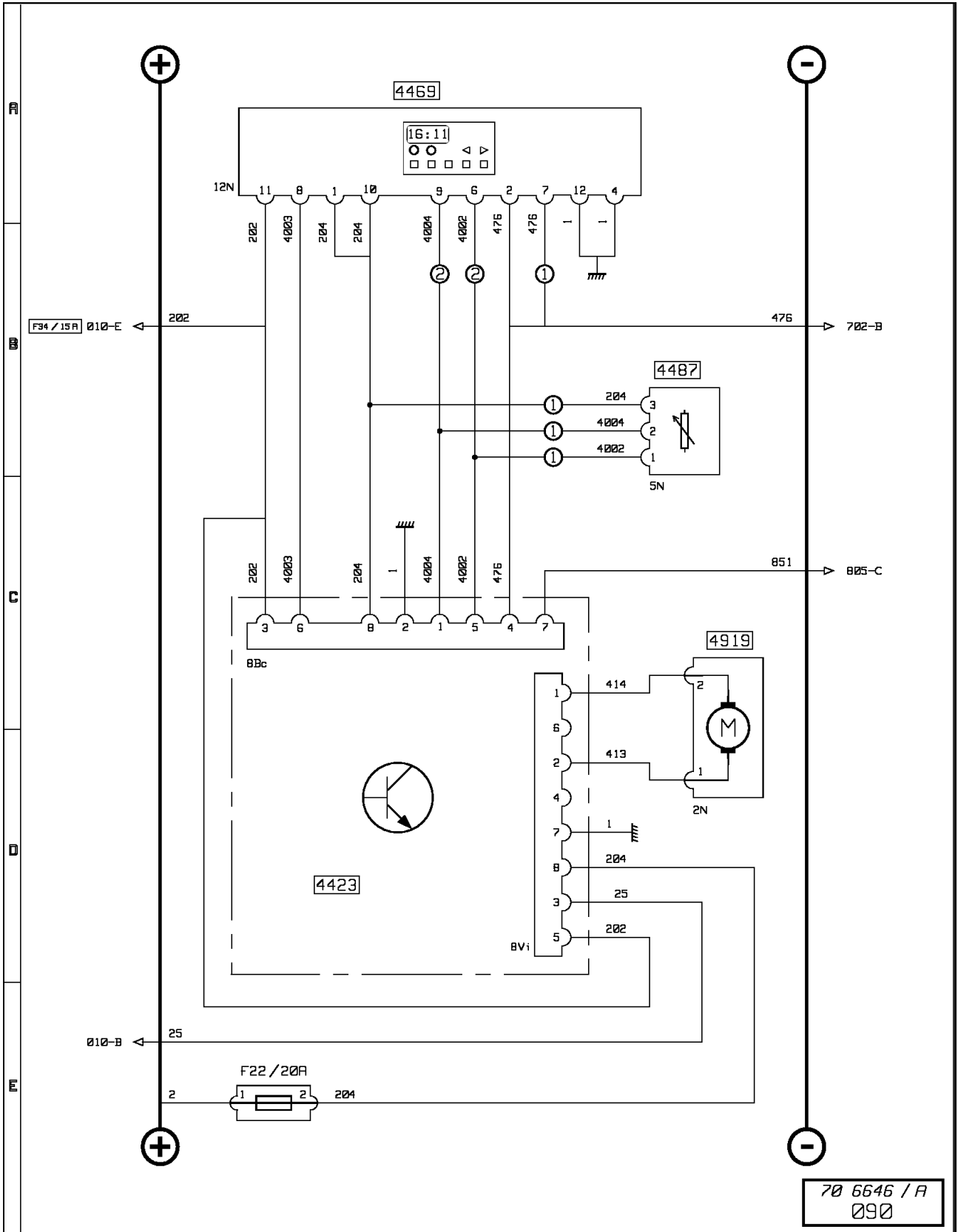
**Air conditioning****Key to appliances**

<b>Code N°</b>	<b>Name of function</b>	<b>Location</b>
<b>4512</b>	Air conditioning compressor	B2d
<b>4514</b>	Air conditioning	B2c
<b>4573</b>	Low pressure controller	B1c
<b>4574</b>	Two-level air-conditioning pressure controller	B1c
<b>4575</b>	3-level air conditioning pressure controller	B1c
<b>4576</b>	High pressure controller	B1c
<b>4582</b>	Intermediate level pressure sensor	B1c

**1:** with engine **dCi6**

**2:** with engine **dCi11**

Air/air independent (add-on) heating "AT2000" (except "ADR")



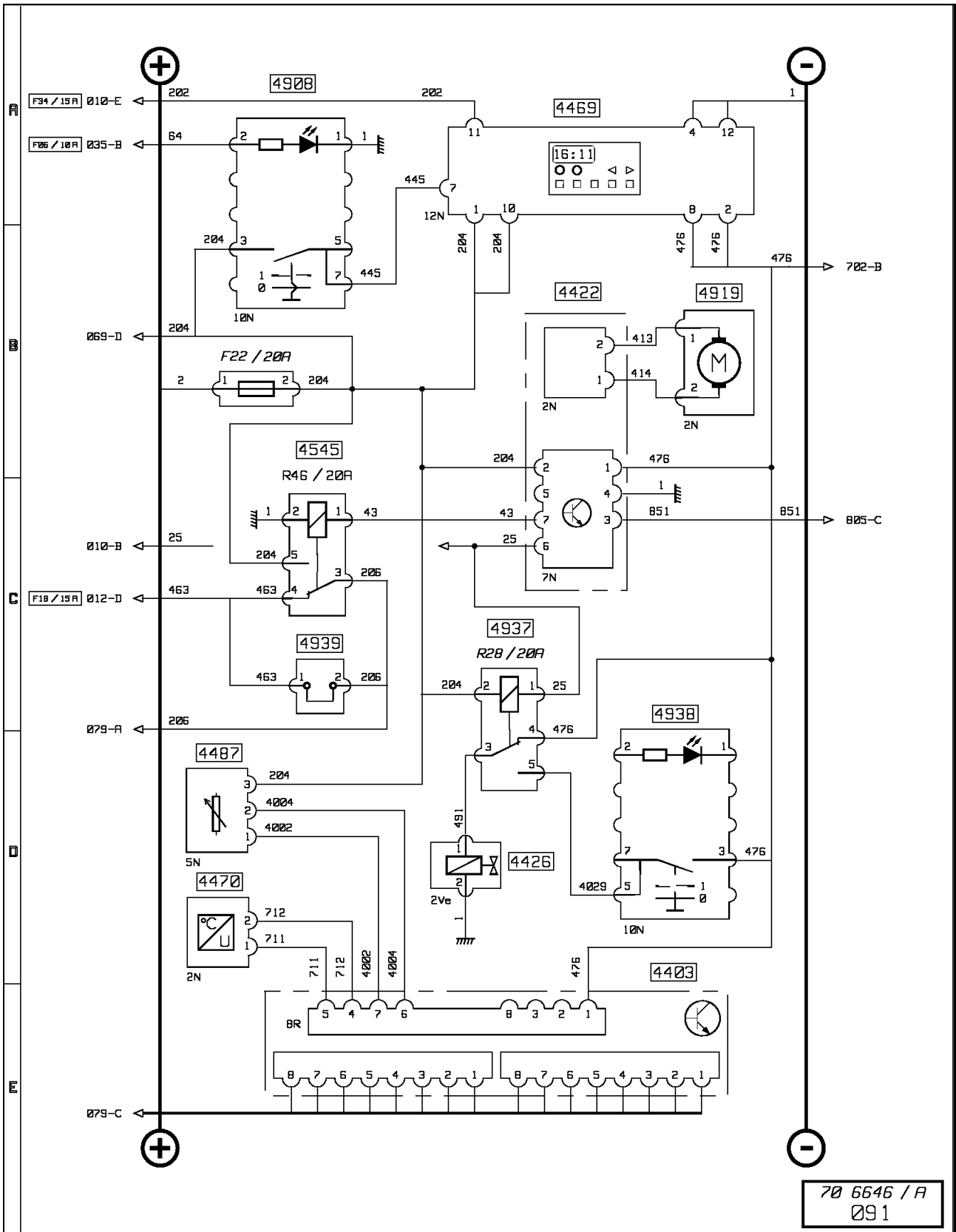
**Air/air independent (add-on) heating "AT2000" (except "ADR")****Key to appliances**

<b>Code N°</b>	<b>Name of function</b>	<b>Location</b>
<b>4423</b>	Air/air independent heater	A3c
<b>4469</b>	Independent heater timer control	C3a
<b>4487</b>	Temperature variator	C3a
<b>4919</b>	Fuel feed pump	B3c

1: without 2-metre cab

2: with 2-metre cab

### Air/water independent (add-on) heating Thermo 90S

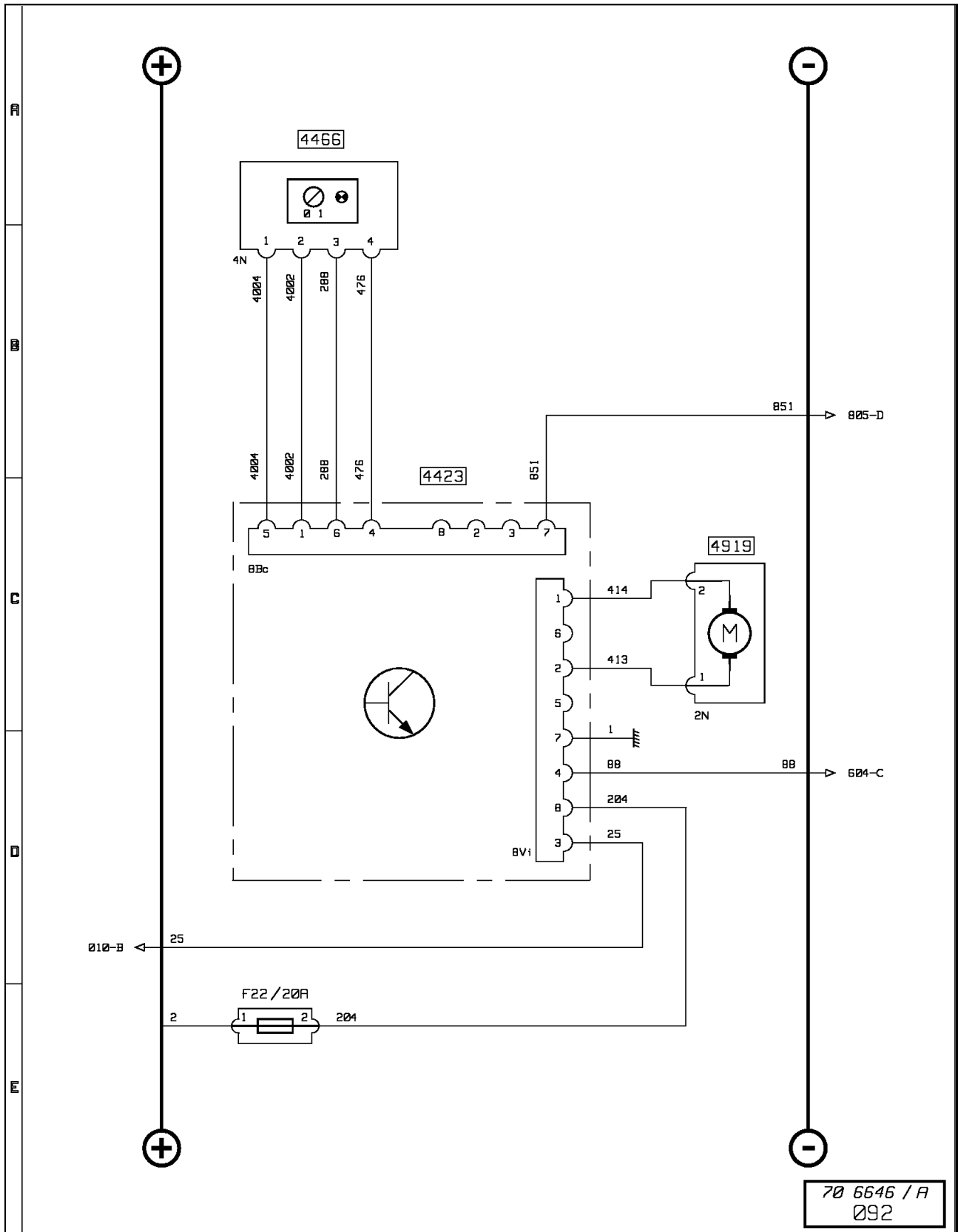




**Air/water independent (add-on) heating Thermo 90S****Key to appliances**

<b>Code N°</b>	<b>Name of function</b>	<b>Location</b>
<b>4403</b>	Ventilation control box	B2c
<b>4422</b>	Air/water independent heater	A3c
<b>4426</b>	Engine cooling circuit solenoid valve	A3c
<b>4469</b>	Independent heater timer control	C3a
<b>4470</b>	Interior temperature sensor	A2c
<b>4487</b>	Temperature variator	C3a
<b>4545</b>	Conditioned air relay	A2b
<b>4908</b>	Independent heating operating control	B3c
<b>4919</b>	Fuel feed pump	B3c
<b>4937</b>	Independent heater relay	C3a
<b>4938</b>	Cooling circuit main solenoid valve control	C3a
<b>4939</b>	Shunt ("ADR" independent heating)	B2b

Air/air independent (add-on) heating "AT2000" ("ADR" specific)



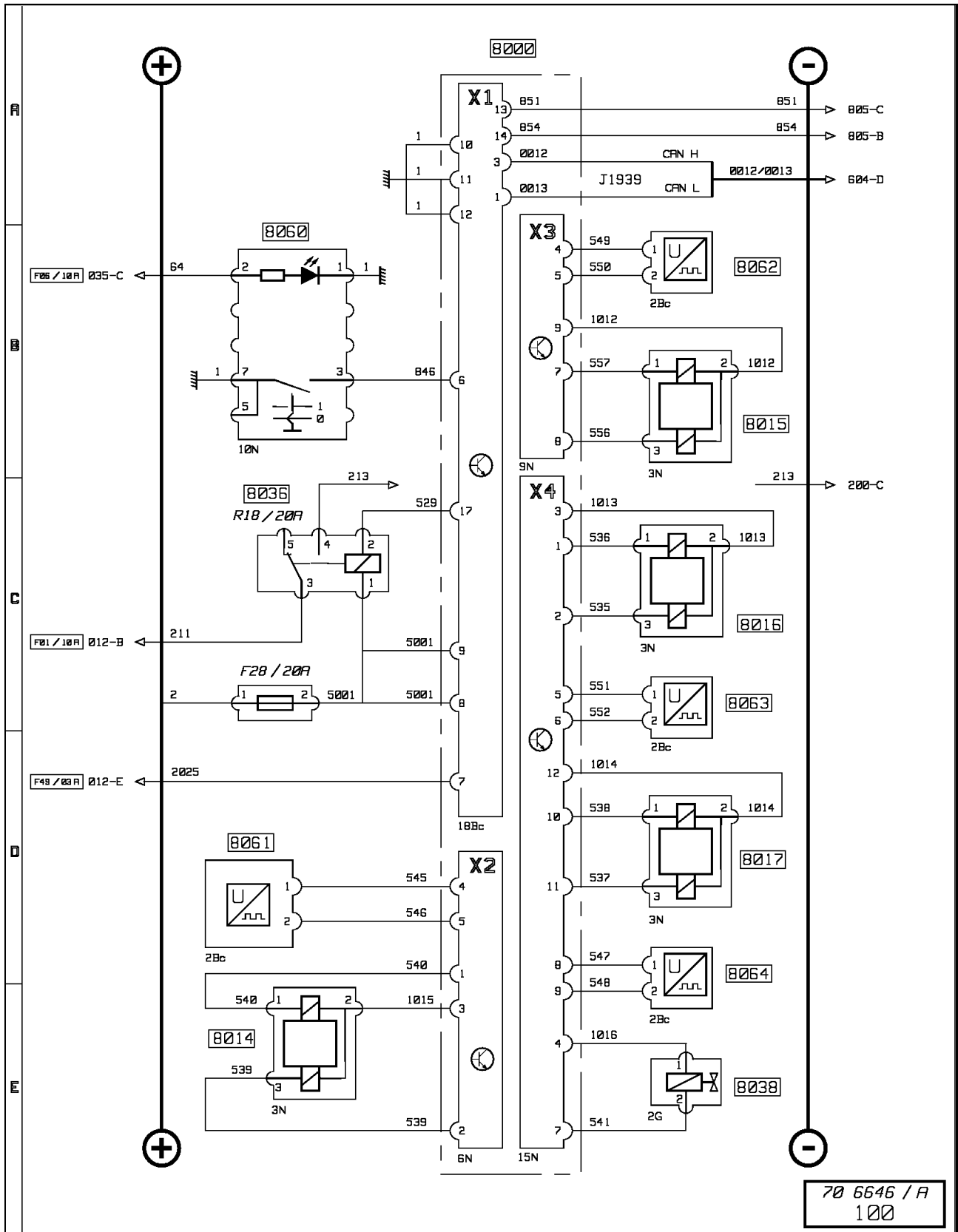
70 6646 / A  
092

Air/air independent (add-on) heating "AT2000" ("ADR" specific)

Key to appliances

Code N°	Name of function	Location
4423	Air/air independent heater	C3a
4466	Independent heater control	C3a
4919	Fuel feed pump	B3c

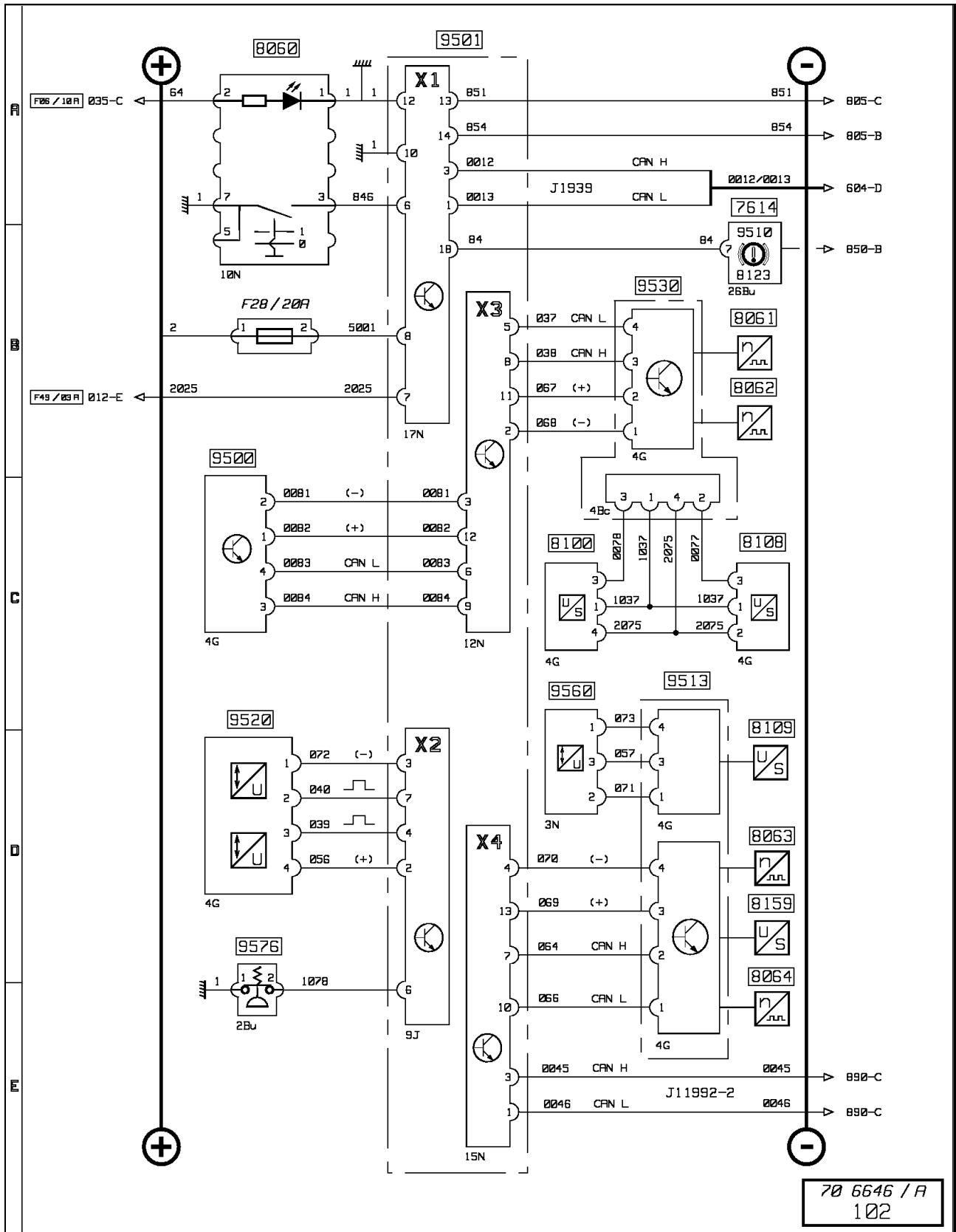
"ABS" braking system



**"ABS" braking system****Key to appliances**

<b>Code N°</b>	<b>Name of function</b>	<b>Location</b>
<b>8000</b>	"ABS" ECU	A2c
<b>8014</b>	ABS LH front roadwheel electrovalve	C3d
<b>8015</b>	ABS RH front roadwheel electrovalve	A3d
<b>8016</b>	ABS LH rear roadwheel electrovalve	B7d / B8d
<b>8017</b>	ABS RH rear roadwheel electrovalve	B7d / B8d
<b>8036</b>	"ABS" retarder phase cut-off relay	A2b
<b>8038</b>	ASR LH relay	B7d
<b>8060</b>	"ASR" control	C2a
<b>8061</b>	ABS LH front roadwheel sensor	C3d
<b>8062</b>	ABS RH front roadwheel sensor	A3d
<b>8063</b>	ABS LH rear roadwheel sensor	C7d / C8d
<b>8064</b>	ABS RH rear roadwheel sensor	C7d / C8d

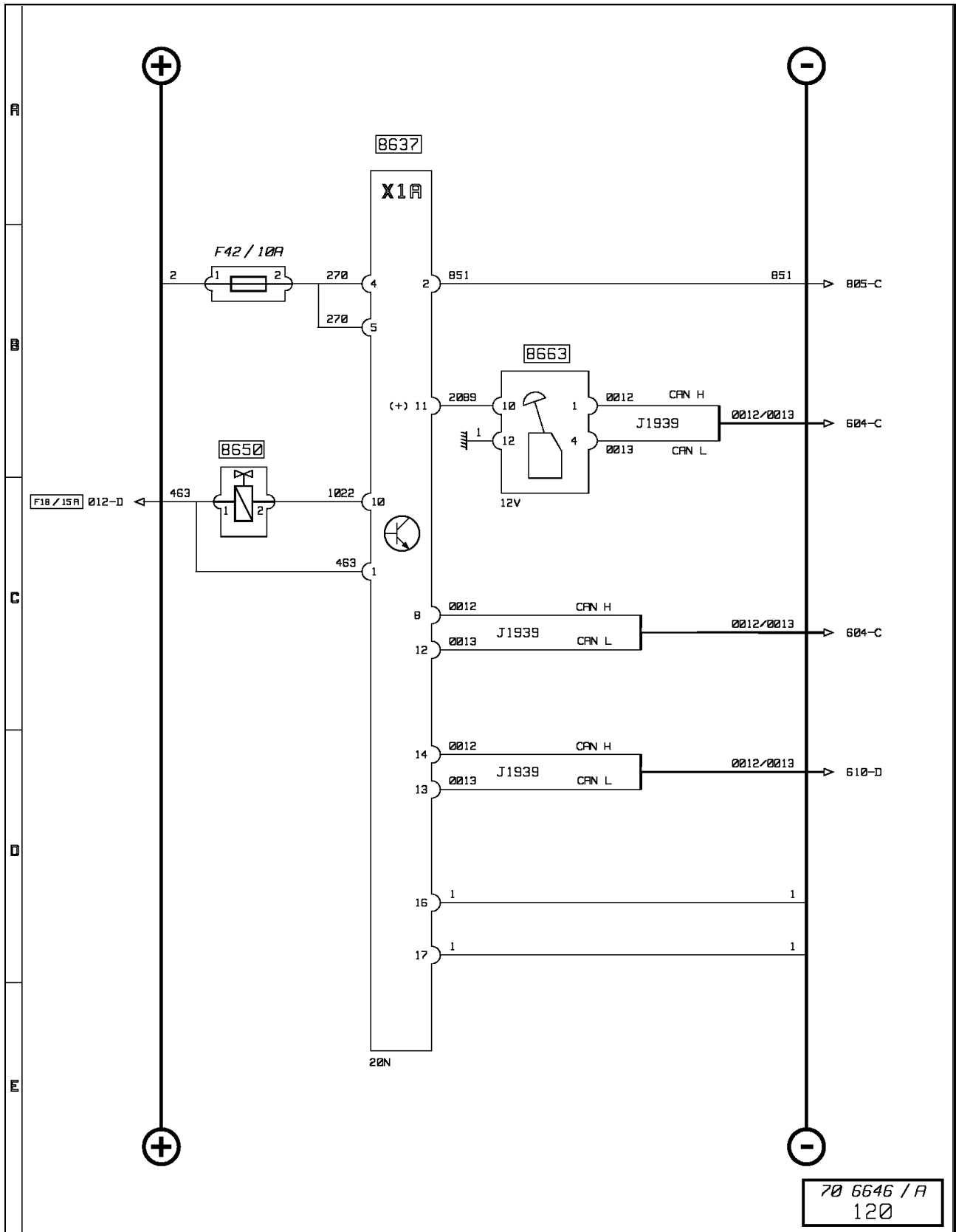
"EBS" braking system



**"EBS" braking system****Key to appliances**

<b>Code N°</b>	<b>Name of function</b>	<b>Location</b>
<b>7614</b>	Principal display	C2b
<b>8060</b>	"ASR" control	C2a
<b>8061</b>	ABS LH front roadwheel sensor	C3d
<b>8062</b>	ABS RH front roadwheel sensor	A3d
<b>8063</b>	ABS LH rear roadwheel sensor	C7d / C8d
<b>8064</b>	ABS RH rear roadwheel sensor	B7d / B8d
<b>8100</b>	LH front brake pads wear switch sensor	C3d
<b>8108</b>	RH front brake pads wear switch sensor	A3d
<b>8109</b>	LH rear brake pads wear switch sensor	A7d
<b>8123</b>	Air pressure alert warning lamp	C2b
<b>8159</b>	RH rear brake pads wear switch sensor	C7d
<b>9500</b>	Trailer module "EBS"	C2c
<b>9501</b>	"EBS" ECU	A2c
<b>9510</b>	Truck combination braking "ALERT" warning lamp	C2b
<b>9513</b>	"EBS" rear module (drive axle)	B8d
<b>9520</b>	Brake valve	A1a
<b>9530</b>	"EBS" Front module	C3d
<b>9560</b>	Rear drive axle "EBS" pressure sensor	B7d
<b>9576</b>	"EBS" parking brake approach pressure sensor	C4d

**Gearbox "ASTRONIC"**

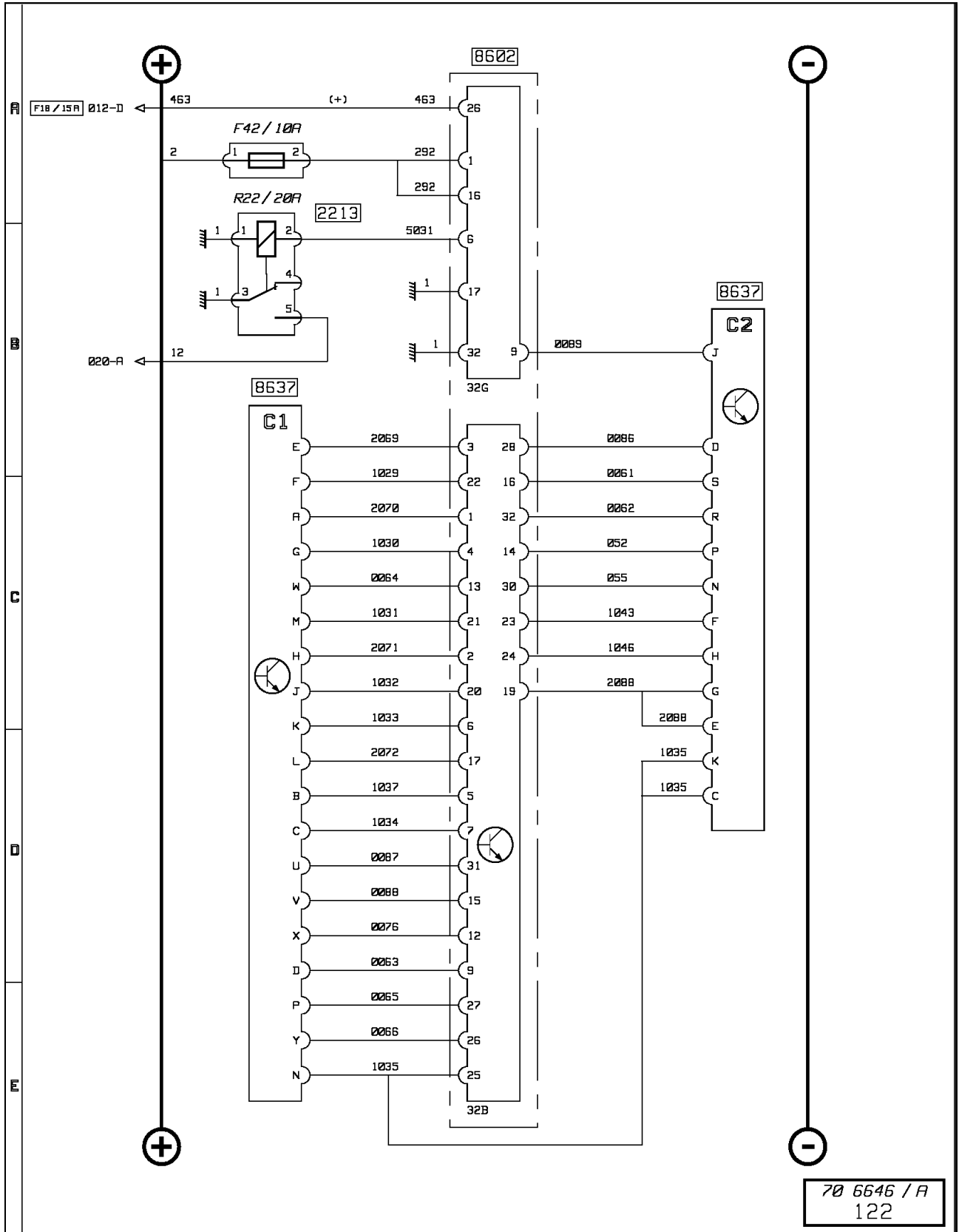




**Gearbox "ASTRONIC"****Key to appliances**

<b>Code N°</b>	<b>Name of function</b>	<b>Location</b>
<b>8637</b>	Gearbox management ECU	B4d
<b>8650</b>	Automatic gearbox PTO solenoid valve	B4c
<b>8663</b>	Gear control lever or gearshift control box	B3c

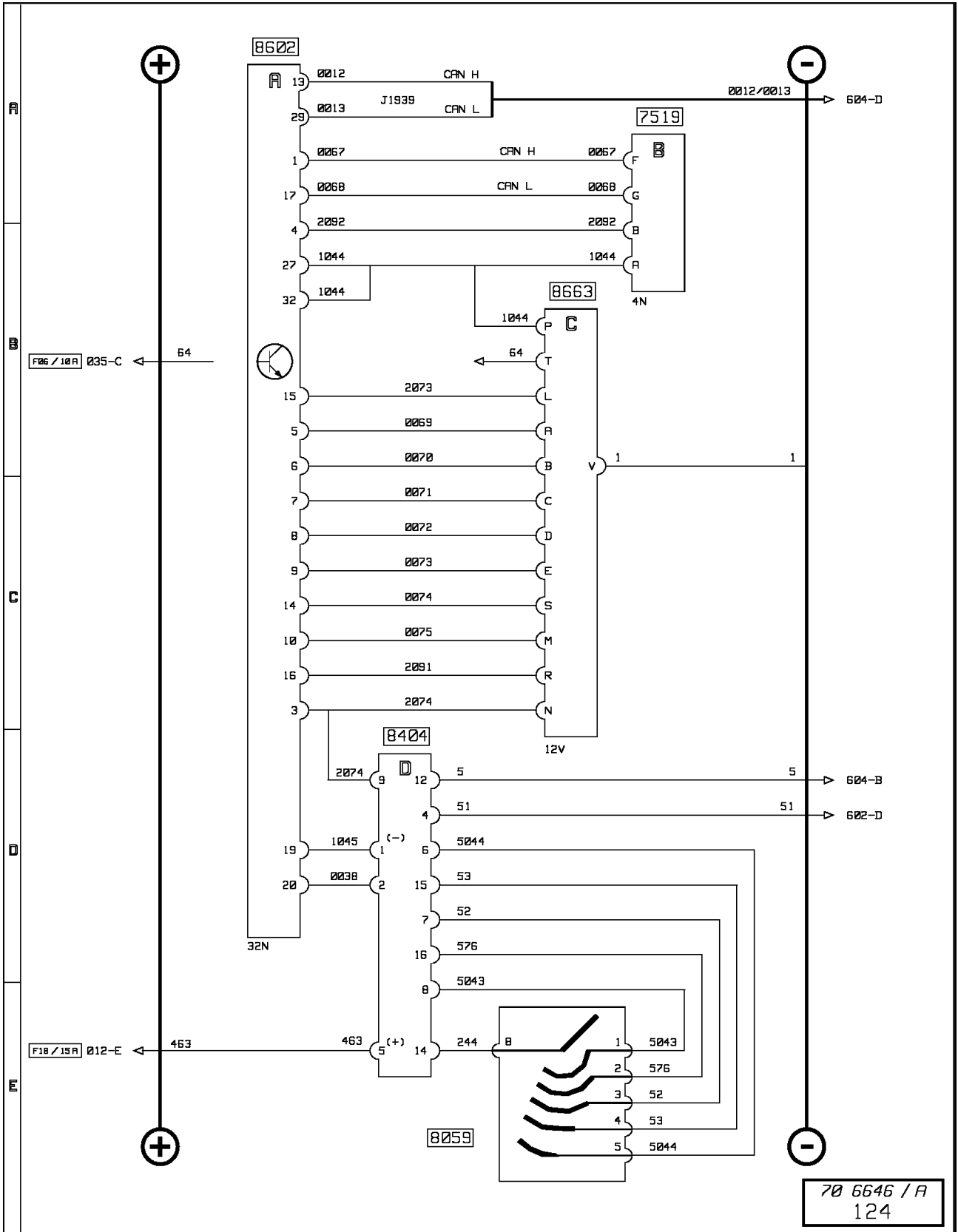
Gearbox "ALLISON" (1/2)



**Gearbox "ALLISON" (1/2)****Key to appliances**

<b>Code N°</b>	<b>Name of function</b>	<b>Location</b>
<b>2213</b>	Starting safety relay	A2c
<b>8602</b>	Automatic gearbox ECU	A2c
<b>8637</b>	Gearbox management ECU	B4d

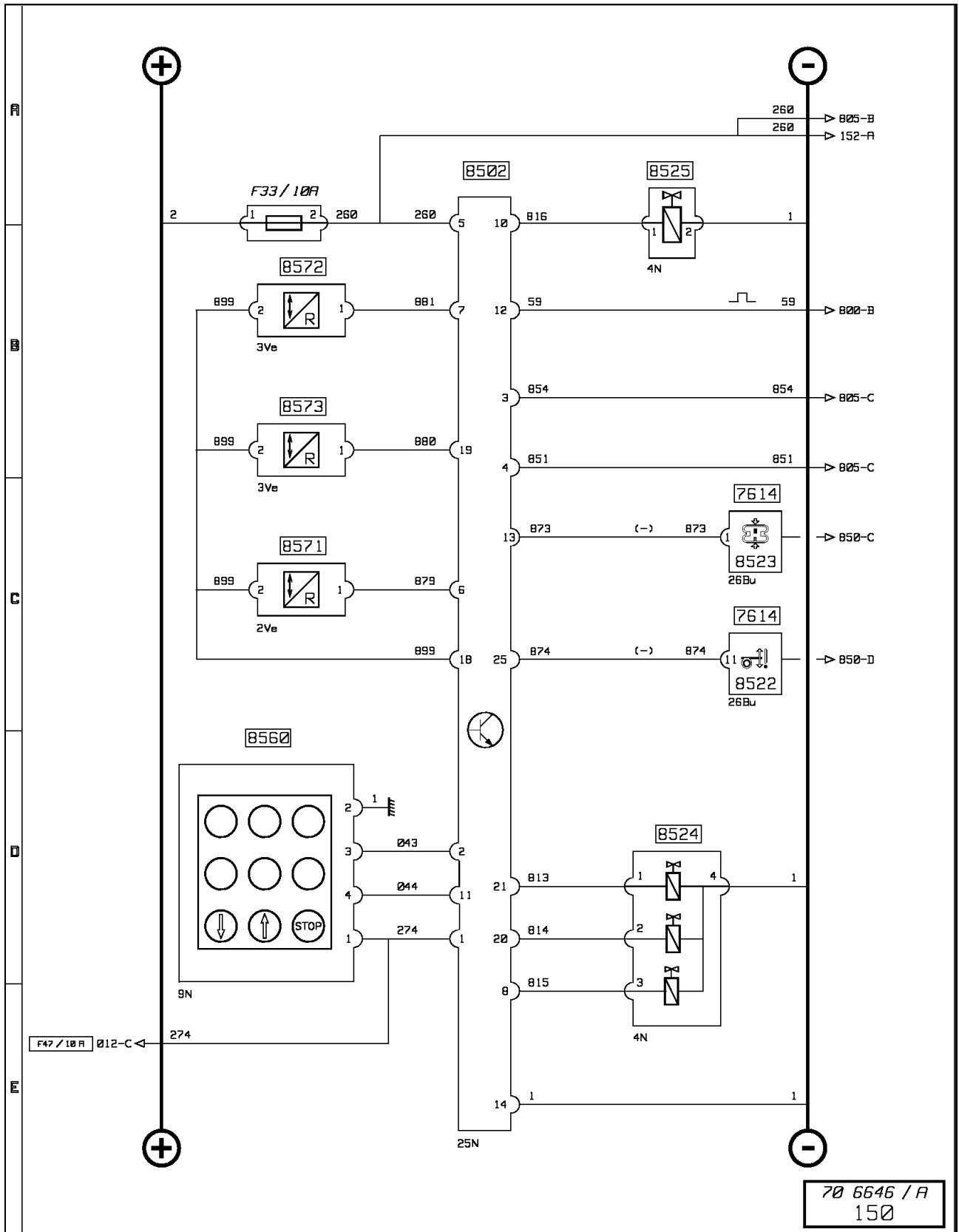
Gearbox "ALLISON" (2/2)



**Gearbox "ALLISON" (2/2)****Key to appliances**

<b>Code N°</b>	<b>Name of function</b>	<b>Location</b>
<b>7519</b>	Diagnostics socket	C3c
<b>8059</b>	Electric or hydraulic retardation control	C2b
<b>8404</b>	Hydraulic retarder control unit	A3c
<b>8602</b>	Automatic gearbox ECU	A2c
<b>8663</b>	Gear control lever or gearshift control box	B3c

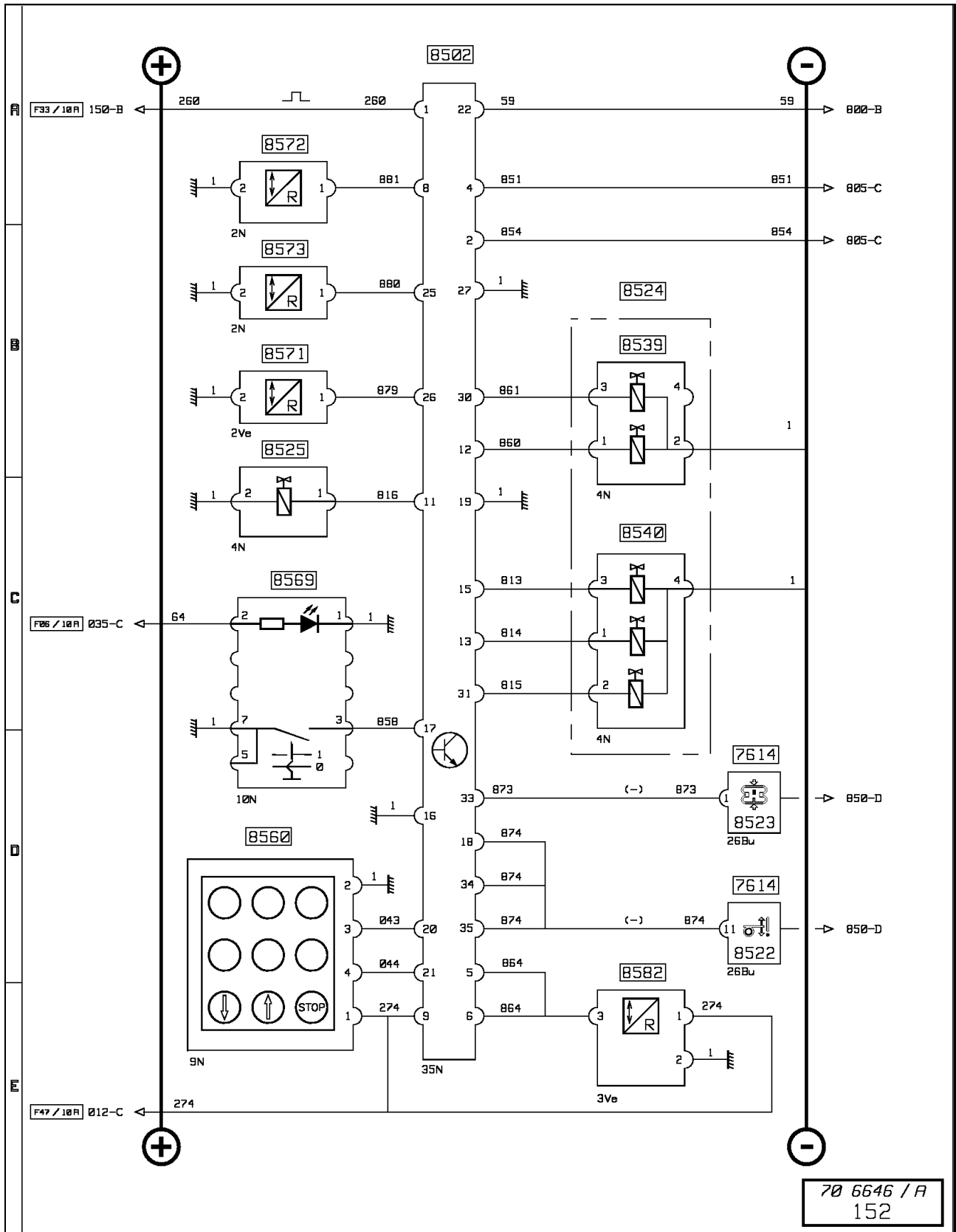
### Air suspension "4X2"



**Air suspension "4X2"****Key to appliances**

<b>Code N°</b>	<b>Name of function</b>	<b>Location</b>
<b>7614</b>	Principal display	C2b
<b>8502</b>	Suspension ECU	A2c
<b>8522</b>	Suspension information warning lamp	C2b
<b>8523</b>	Suspension alert warning lamp	C2b
<b>8524</b>	Rear suspension electrovalve block	B7d / B8d
<b>8525</b>	Front suspension electrovalve block	B3d
<b>8560</b>	Air suspension remote control box	C3c
<b>8571</b>	Front suspension level sensor	B7d
<b>8572</b>	Suspension level RH rear sensor	A7d / A8d
<b>8573</b>	Suspension level LH rear sensor	C7d / C8d

### Air suspension "6X2"

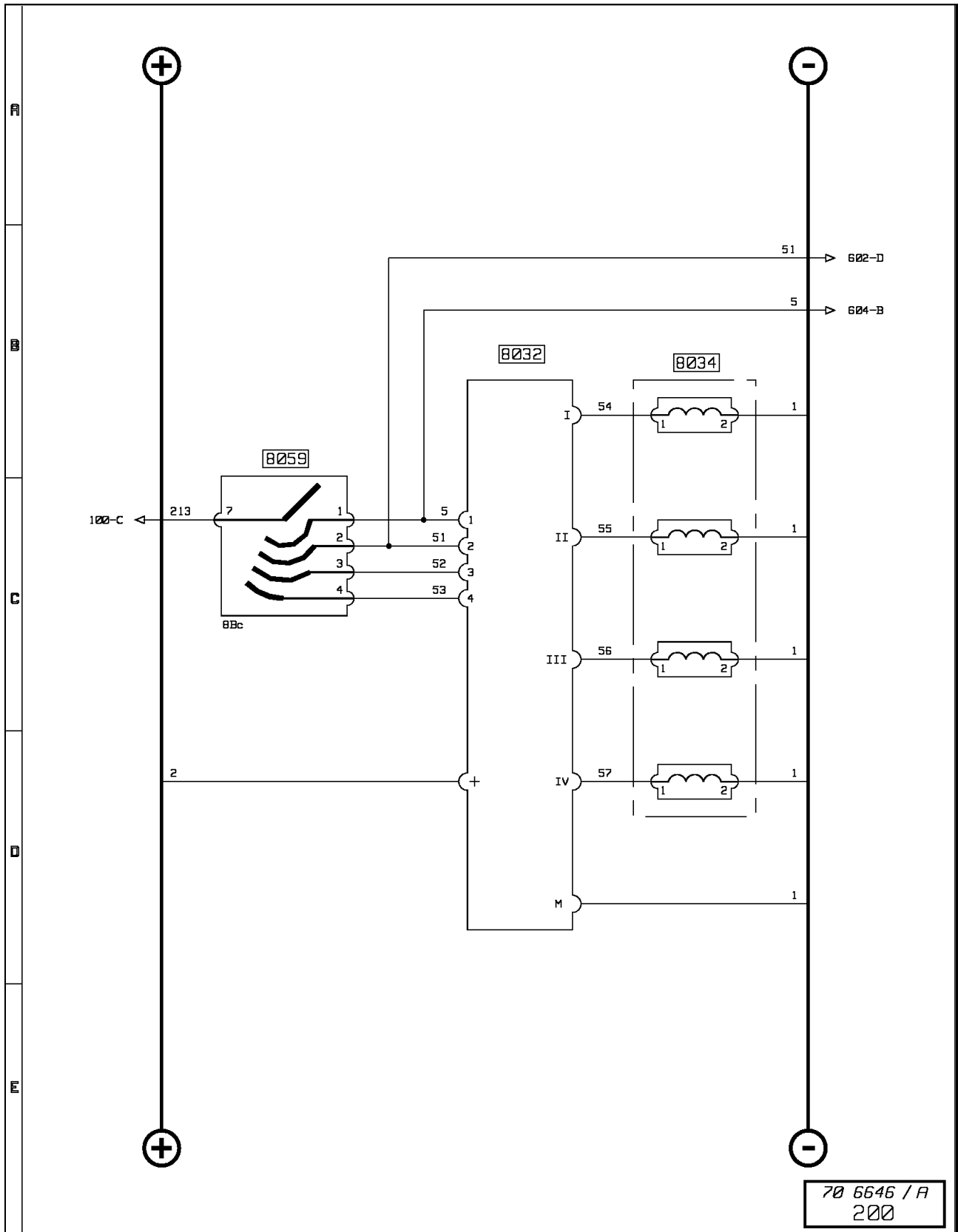




**Air suspension "6X2"****Key to appliances**

<b>Code N°</b>	<b>Name of function</b>	<b>Location</b>
7614	Principal display	C2b
8502	Suspension ECU	A2c
8522	Suspension information warning lamp	C2b
8523	Suspension alert warning lamp	C2b
8524	Rear suspension electrovalve block	B7d / B8d
8525	Front suspension electrovalve block	B3d
8539	Rear suspension electrovalves block (drive axle)	B7d
8540	Rear suspension electrovalves block (axle)	B8d
8560	Air suspension remote control box	C3c
8569	Lift-up axle load shedding control	C2a
8571	Front suspension level sensor	B7d
8572	Suspension level RH rear sensor	A7d / A8d
8573	Suspension level LH rear sensor	C7d / C8d
8582	Rear axle air springs pressure sensor	B7d

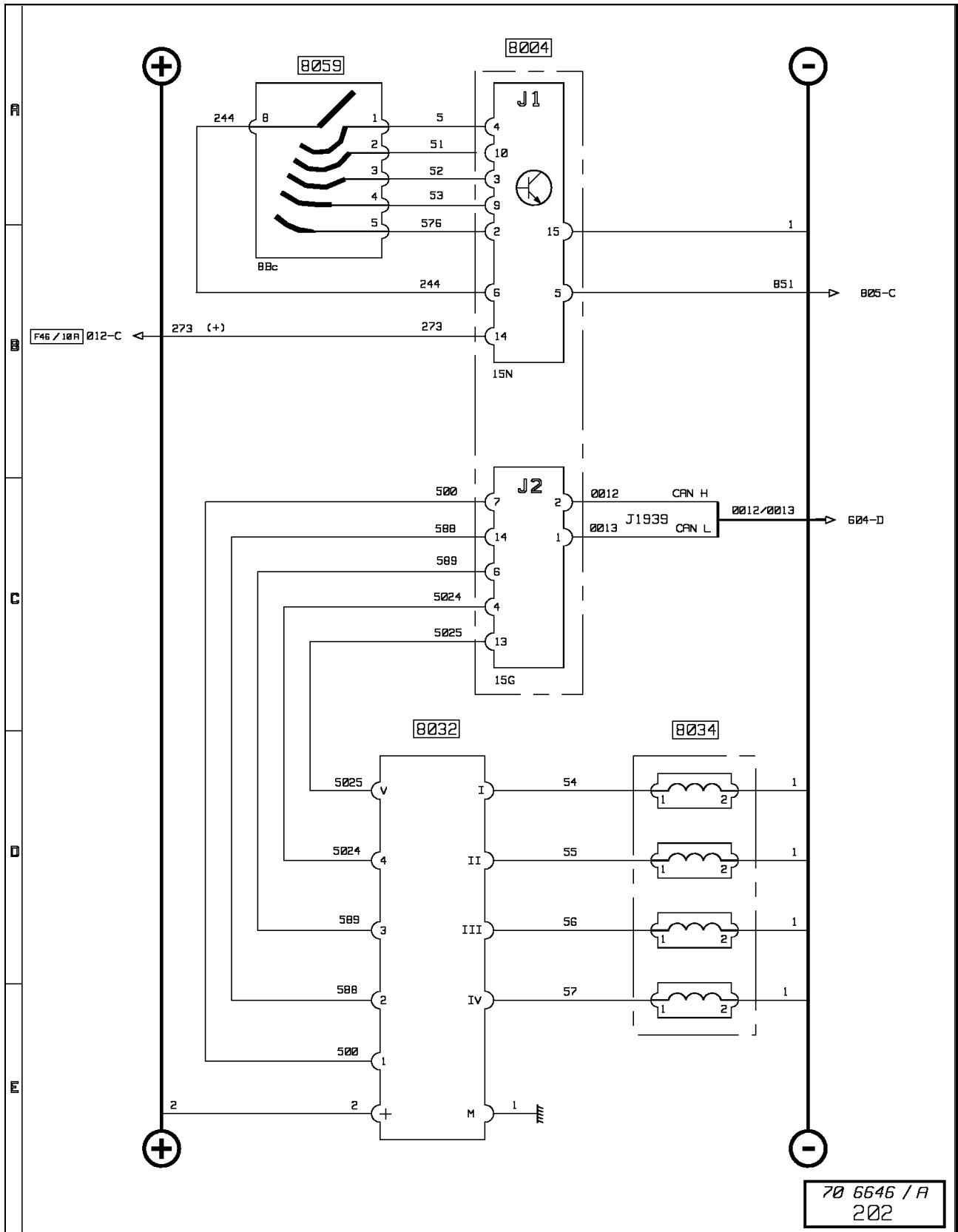
### Electric retarder



**Electric retarder****Key to appliances**

<b>Code N°</b>	<b>Name of function</b>	<b>Location</b>
<b>8032</b>	Electric retarder relay box	A2c
<b>8034</b>	Electric retarder	B5d
<b>8059</b>	Electric or hydraulic retardation control	C2b

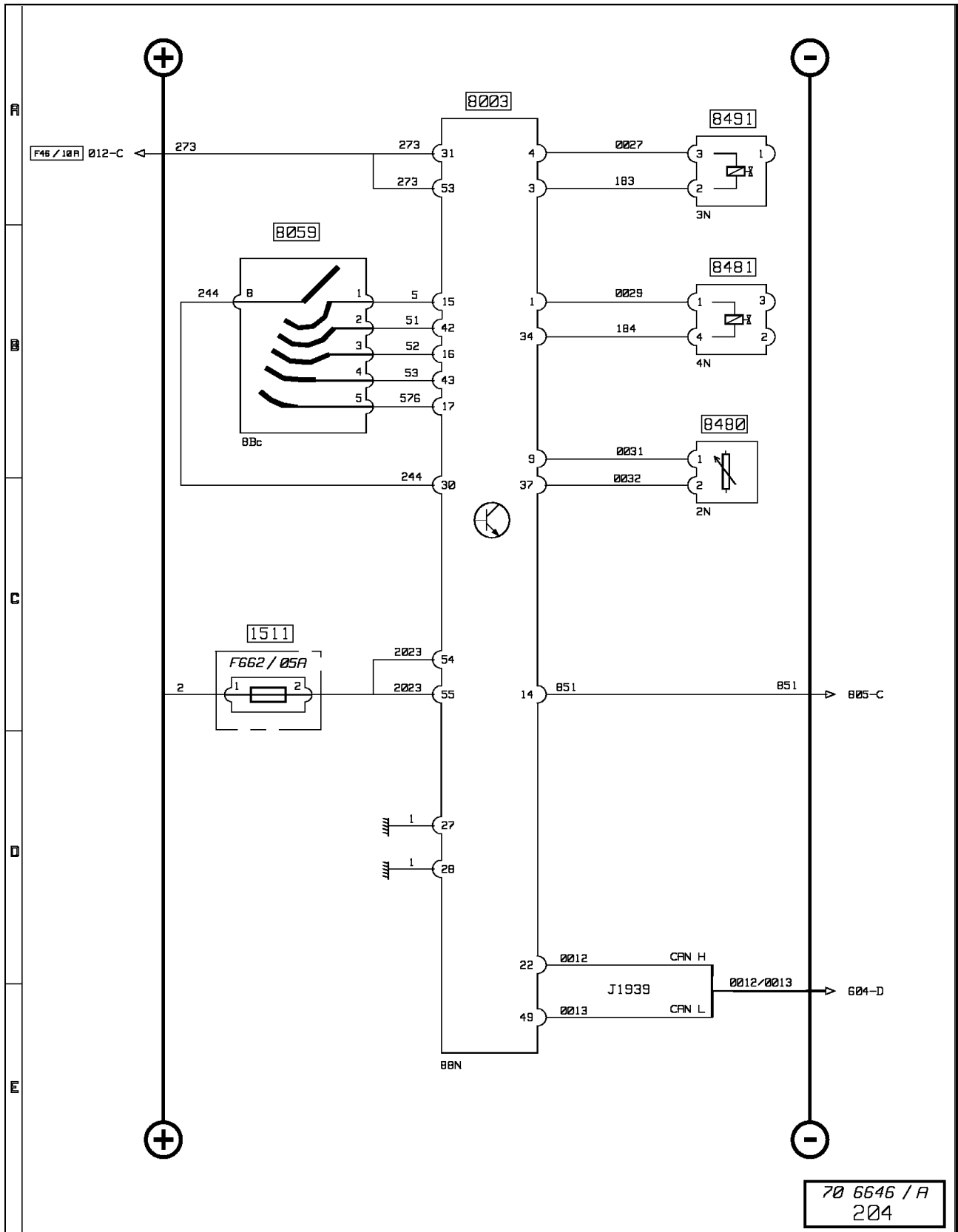
### Electronically controlled electric retarder



**Electronically controlled electric retarder****Key to appliances**

<b>Code N°</b>	<b>Name of function</b>	<b>Location</b>
<b>8004</b>	Electric retarder ECU	A2c
<b>8032</b>	Electric retarder relay box	A5d
<b>8034</b>	Electric retarder	B5d
<b>8059</b>	Electric or hydraulic retardation control	C2b

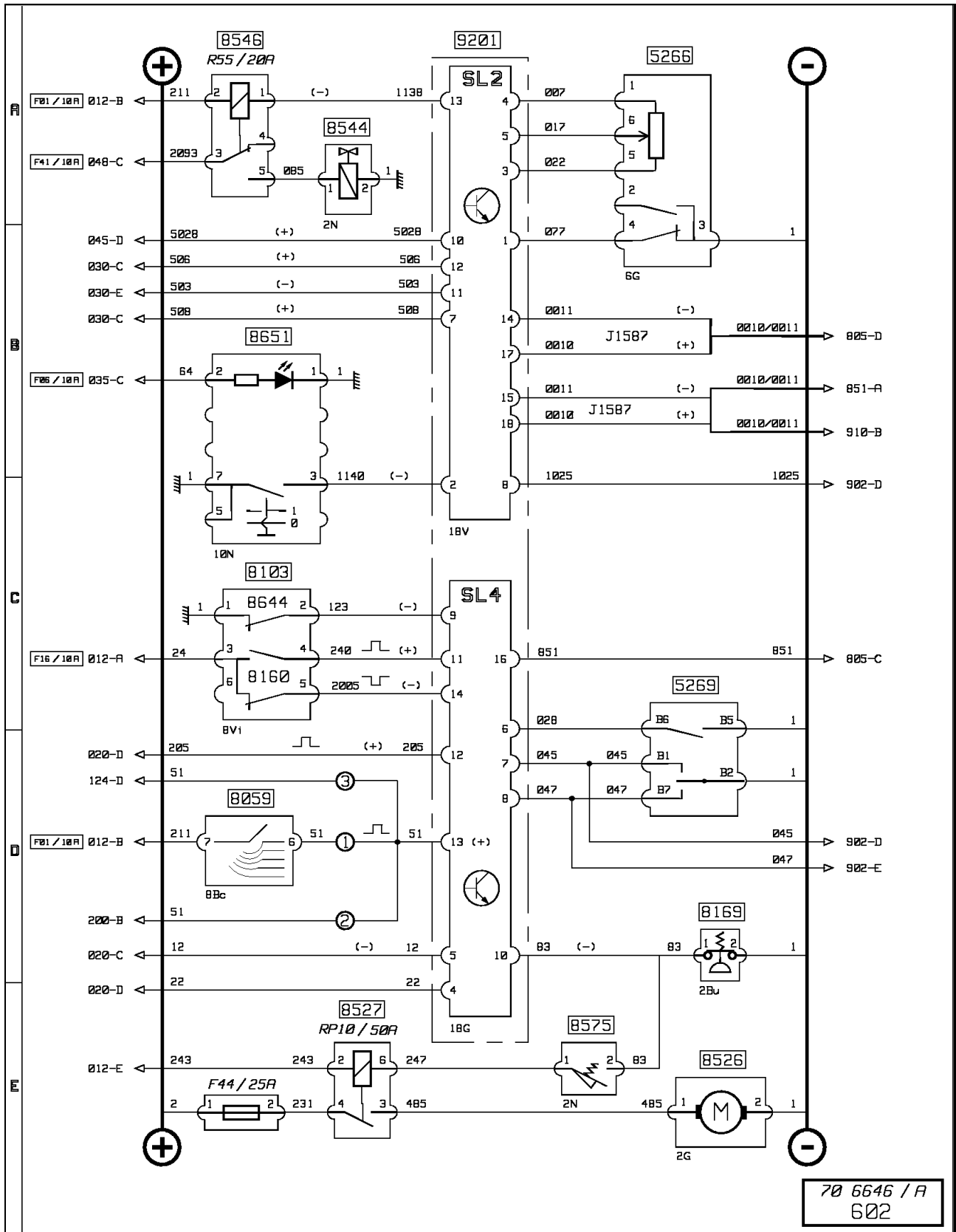
### Hydraulic retarder



**Hydraulic retarder****Key to appliances**

<b>Code N°</b>	<b>Name of function</b>	<b>Location</b>
1511	Fuse box	A2b
8003	Hydraulic retarder ECU	A2c
8059	Electric or hydraulic retardation control	C2b
8480	Hydraulic retarder cooling system temperature sensor	B3c
8481	Retarder accumulator solenoid valve	B4d
8491	Hydraulic retarder proportional opening solenoid valve	B4d

Vehicle electronic management (1/2)





**Vehicle electronic management (1/2)****Key to appliances**

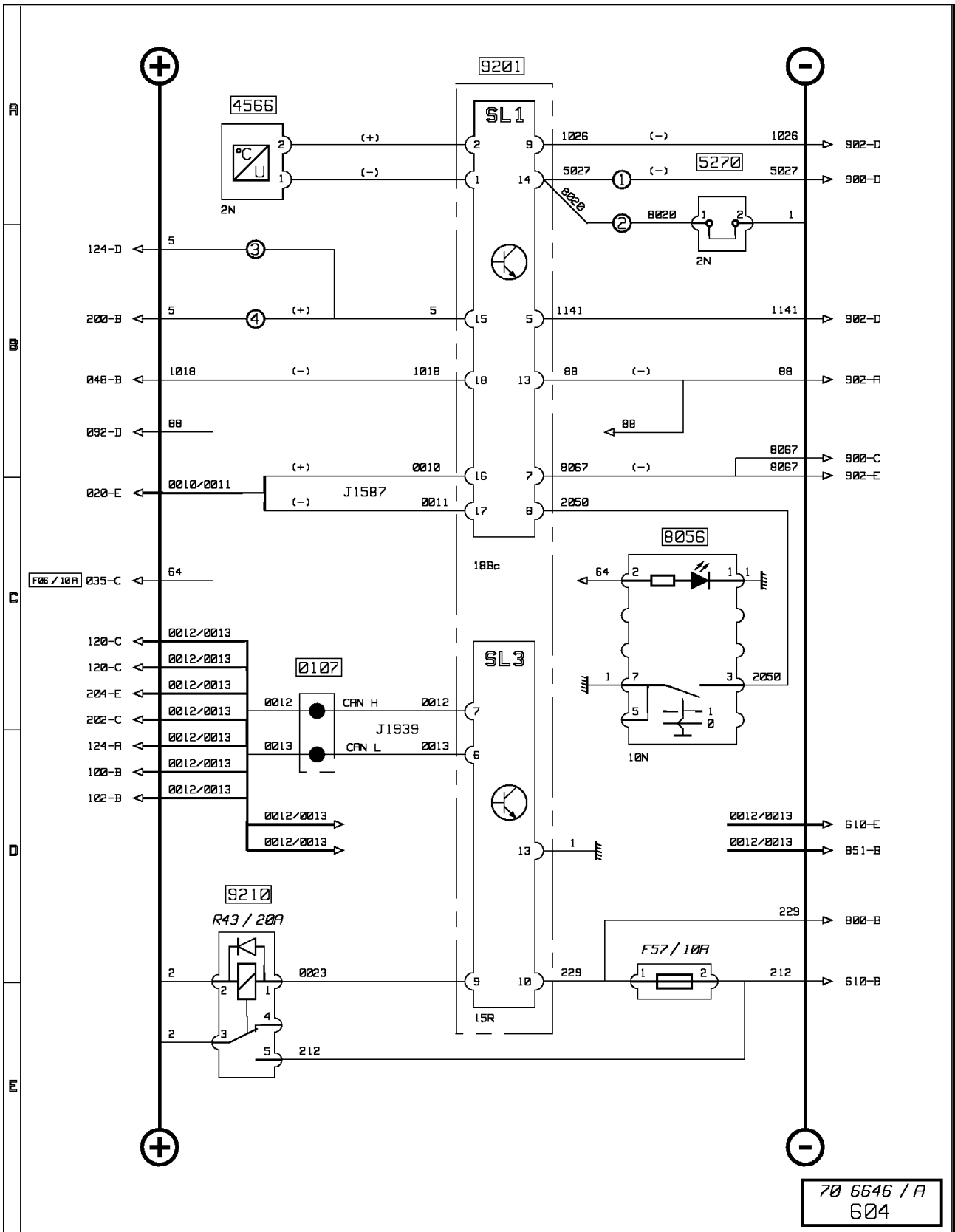
<b>Code N°</b>	<b>Name of function</b>	<b>Location</b>
<b>5266</b>	Accelerator pedal position sensor	C2c
<b>5269</b>	Engine cruise control and speed regulator adjustment control	C2b
<b>8059</b>	Electric or hydraulic retardation control	C2b
<b>8103</b>	Clutch switch and stop lights switch position sensor	C2c
<b>8160</b>	Stop lights switch	C2c
<b>8169</b>	Parking brake air pressure switch	C5d
<b>8526</b>	Cab tilting motor	A4d
<b>8527</b>	Cab tilting system control relay	A2c
<b>8544</b>	Self-tracking axle electrovalve	B7c
<b>8546</b>	Self-tracking axle safety relay	B7c
<b>8575</b>	Cab tilting control	A2d
<b>8644</b>	Clutch switch contact position sensor	B3c
<b>8651</b>	"ASTRONIC" PTO control	B4c
<b>9201</b>	Vehicle master ECU (VECU)	B3c

1: with engine brake or exhaust brake

2: with electric retarder

3: with "ALLISON" gearbox

Vehicle electronic management (2/2)



**Vehicle electronic management (2/2)****Key to appliances**

<b>Code N°</b>	<b>Name of function</b>	<b>Location</b>
<b>0107</b>	CAN bus soldering	
<b>4566</b>	External temperature sensor	A1c
<b>5270</b>	Speed limiter shunt for export	A2c
<b>8056</b>	Brake pedal retarder coupling control	C2b
<b>9201</b>	Vehicle master ECU (VECU)	B3c
<b>9210</b>	"VECU / EECU" power supply relay	B3c

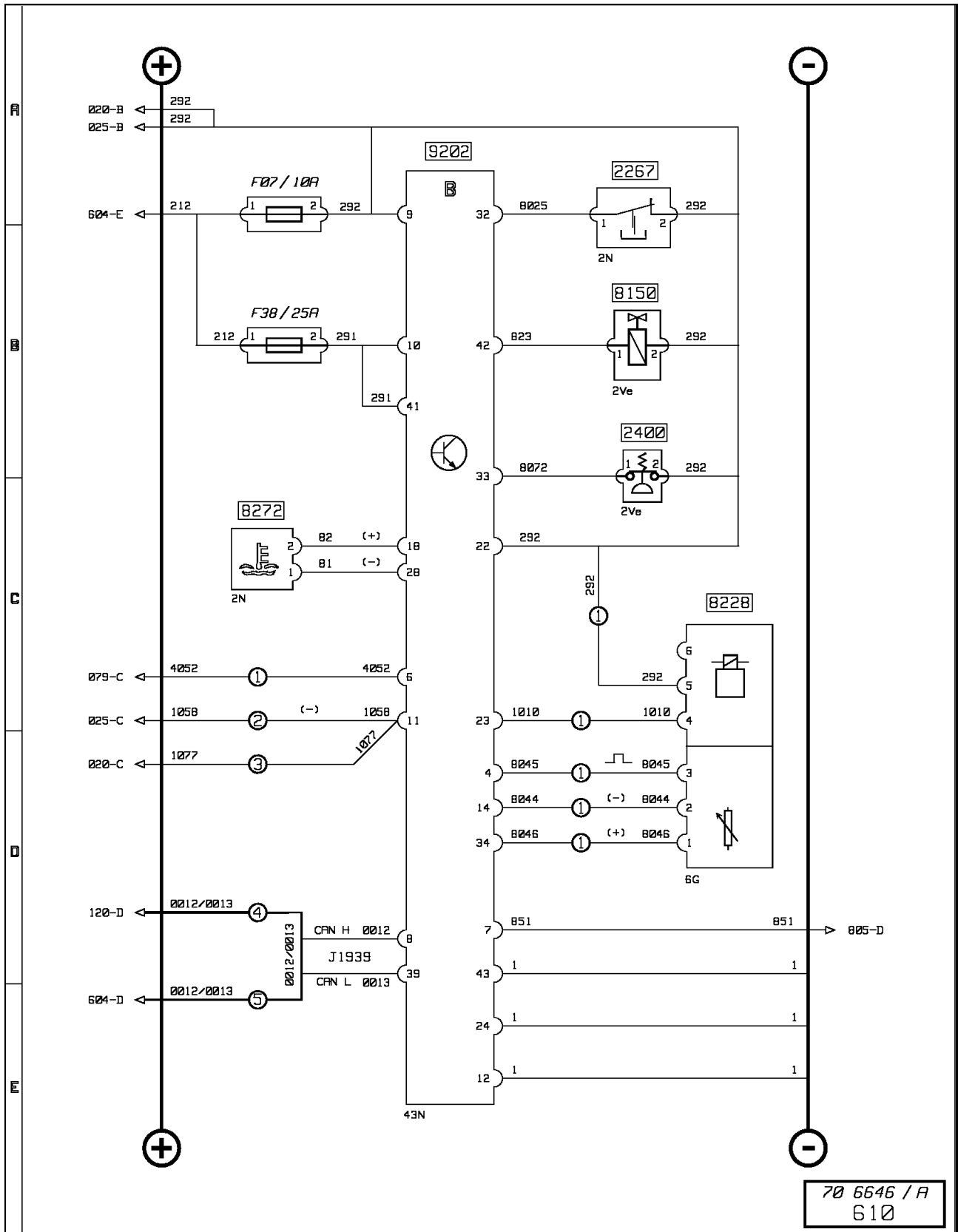
1: with "RCV" equipment

2: on outside "EEC" vehicles

3: with "ALLISON" gearbox

4: with other gearboxes

### Engine master ECU "EECU" (1/2)



**Engine electronic management (1/2)****Key to appliances**

<b>Code N°</b>	<b>Name of function</b>	<b>Location</b>
<b>2267</b>	Engine compartment engine stop control	A2c
<b>2400</b>	Fuel filter clogging pressure switch	C3c / B3b
<b>8150</b>	Exhaust brake electrovalve	B3c
<b>8228</b>	Declutching fan	B2c
<b>8272</b>	Engine cooling circuit level sensor	B1c
<b>9202</b>	Engine master ECU (EECU)	B3c

**1:** with engine **dCi11**

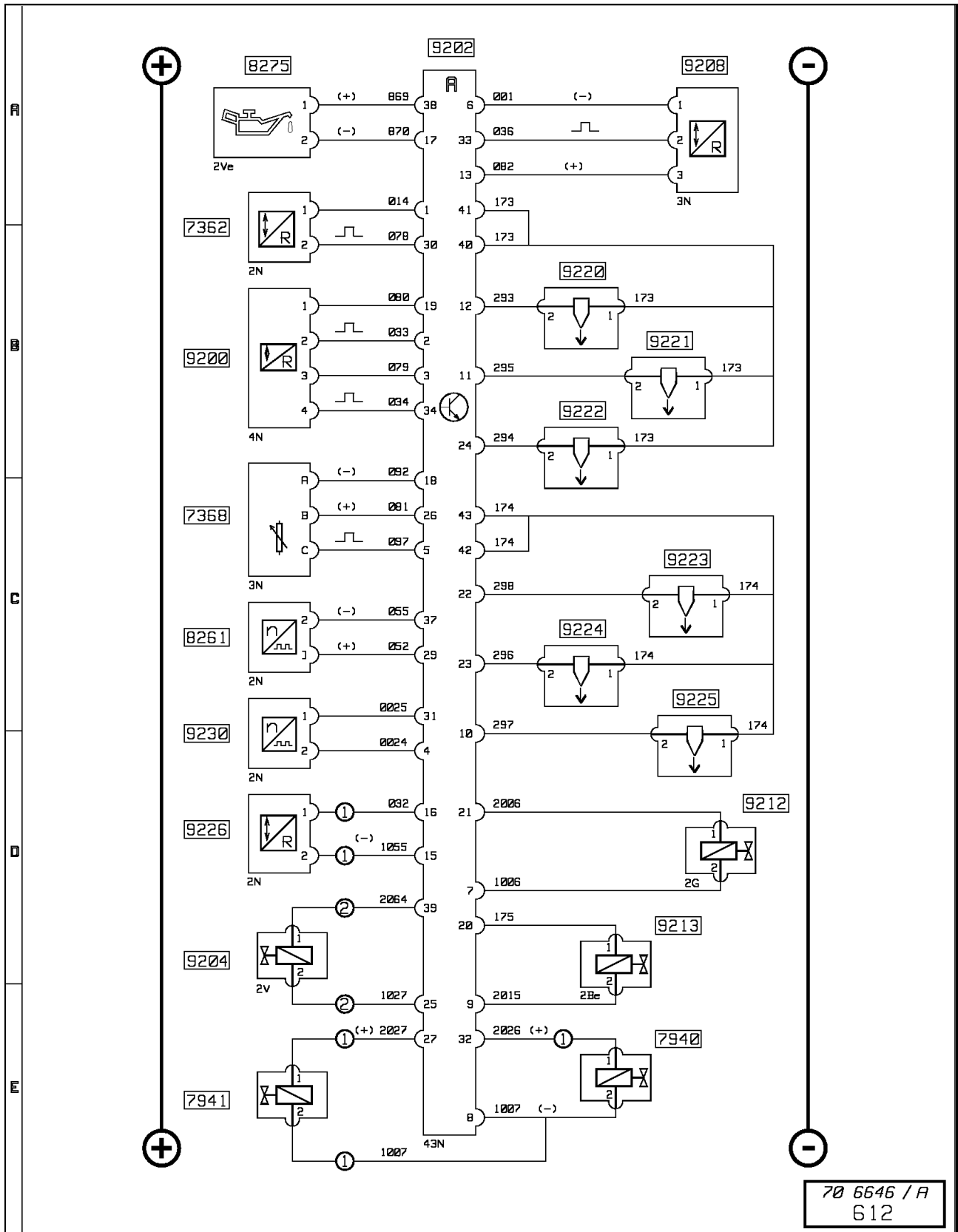
**2:** with standard starter

**3:** with electronically managed starter

**4:** with "ASTRONIC" gearbox

**5:** without "ASTRONIC" gearbox

Engine master ECU "EECU" (2/2)



## Engine master ECU "EECU" (2/2)

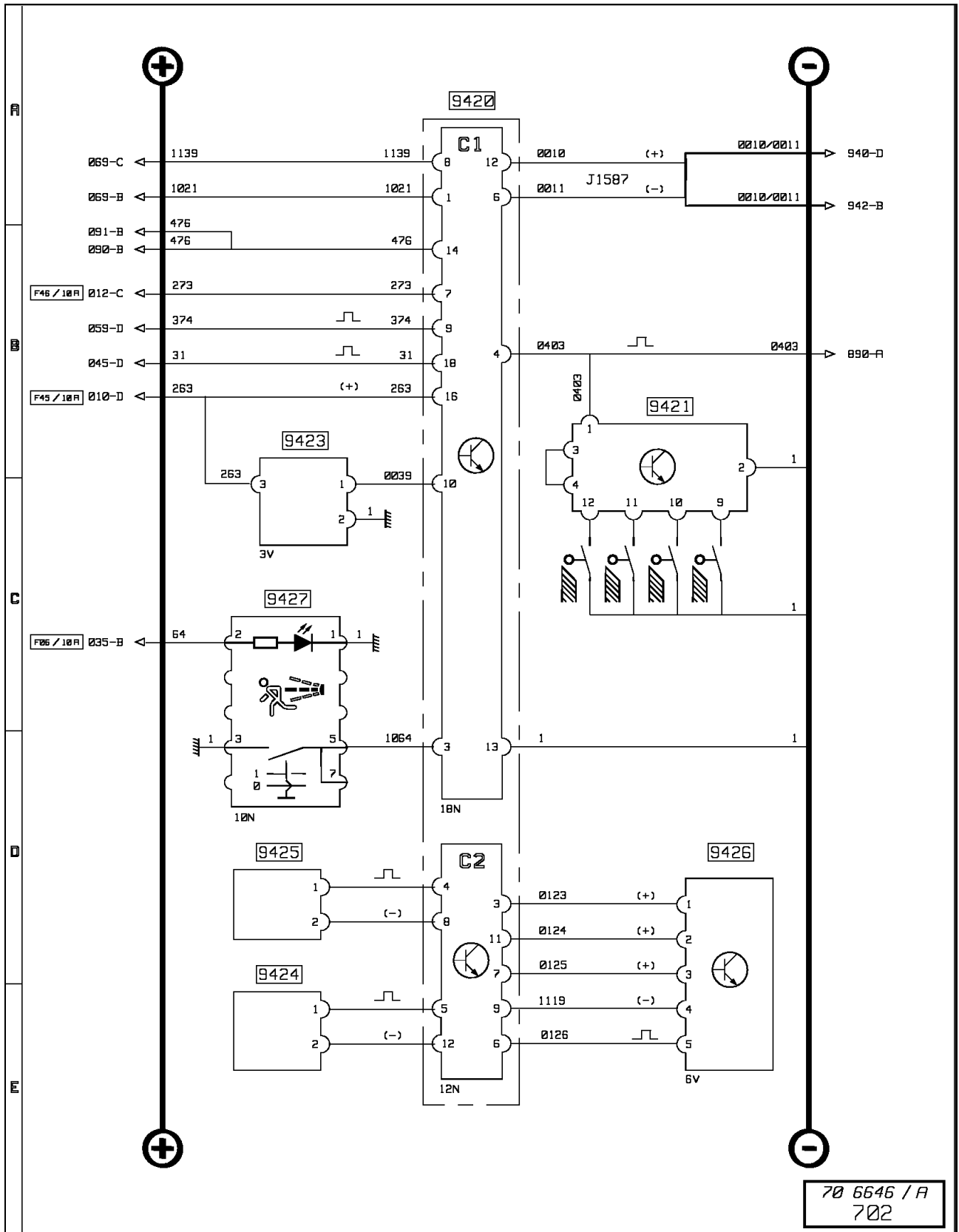
## Key to appliances

Code N°	Name of function	Location
7362	Coolant temperature sensor	B3c
7368	Oil pressure sensor	B3c
7940	Jake brake solenoid valve N°1	B3c
7941	Jake brake solenoid valve N°2	B3c
8261	Engine speed sensor	B3c
8275	Engine oil level sensor	B3d
9200	Boost air pressure and temperature sensor	B3c
9202	Engine master ECU (EECU)	B3c
9204	"EGR" electrovalve	B3c
9208	Fuel high pressure sensor	B3c
9212	High Pressure pump, solenoid valve cylinder	B3c
9213	High Pressure pump, solenoid valve cylinder	B3c
9220	Unit pump N°1 incorporating solenoid valve	B3c
9221	Unit pump N°2 incorporating solenoid valve	B3c
9222	Unit pump N°3 incorporating solenoid valve	B3c
9223	Unit pump N°4 incorporating solenoid valve	B3c
9224	Unit pump N°5 incorporating solenoid valve	B3c
9225	Unit pump N°6 incorporating solenoid valve	B3c
9226	Engine oil temperature sensor	B3c
9230	Camshaft speed sensor	B3c

1: with engine dCi11

2: with engine dCi6

Alarm

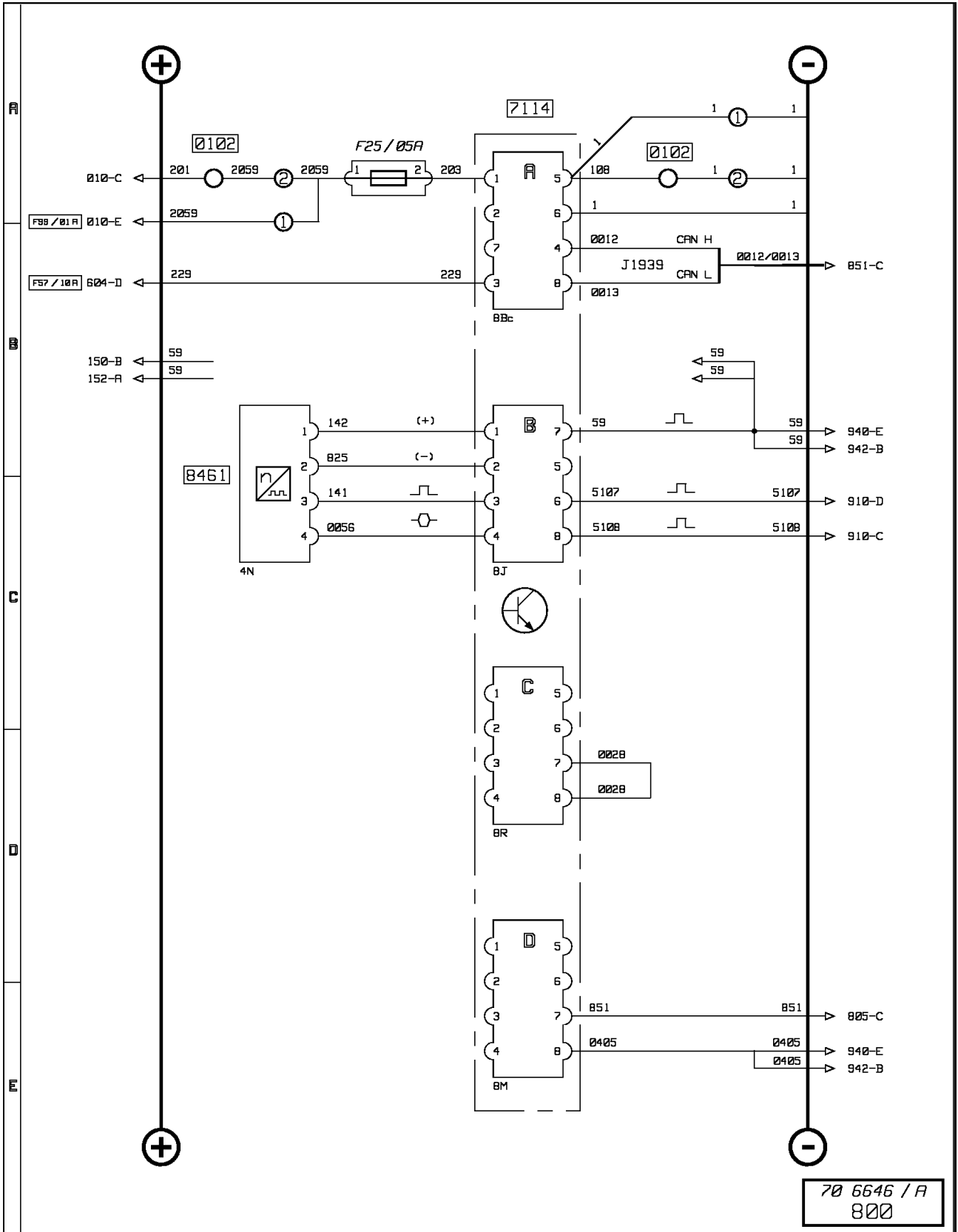




**Alarm****Key to appliances**

<b>Code N°</b>	<b>Name of function</b>	<b>Location</b>
<b>9420</b>	Anti-theft alarm ECU	C2a
<b>9421</b>	Rigid perimeter detection module	C2a
<b>9423</b>	Anti-theft alarm buzzer	A1d
<b>9424</b>	Ultrasonic transmitter	C2a
<b>9425</b>	Ultrasonic receiver	B2b
<b>9426</b>	Truck combination monitoring module	B2b
<b>9427</b>	Anti-aggression control	B2b

# Tachograph



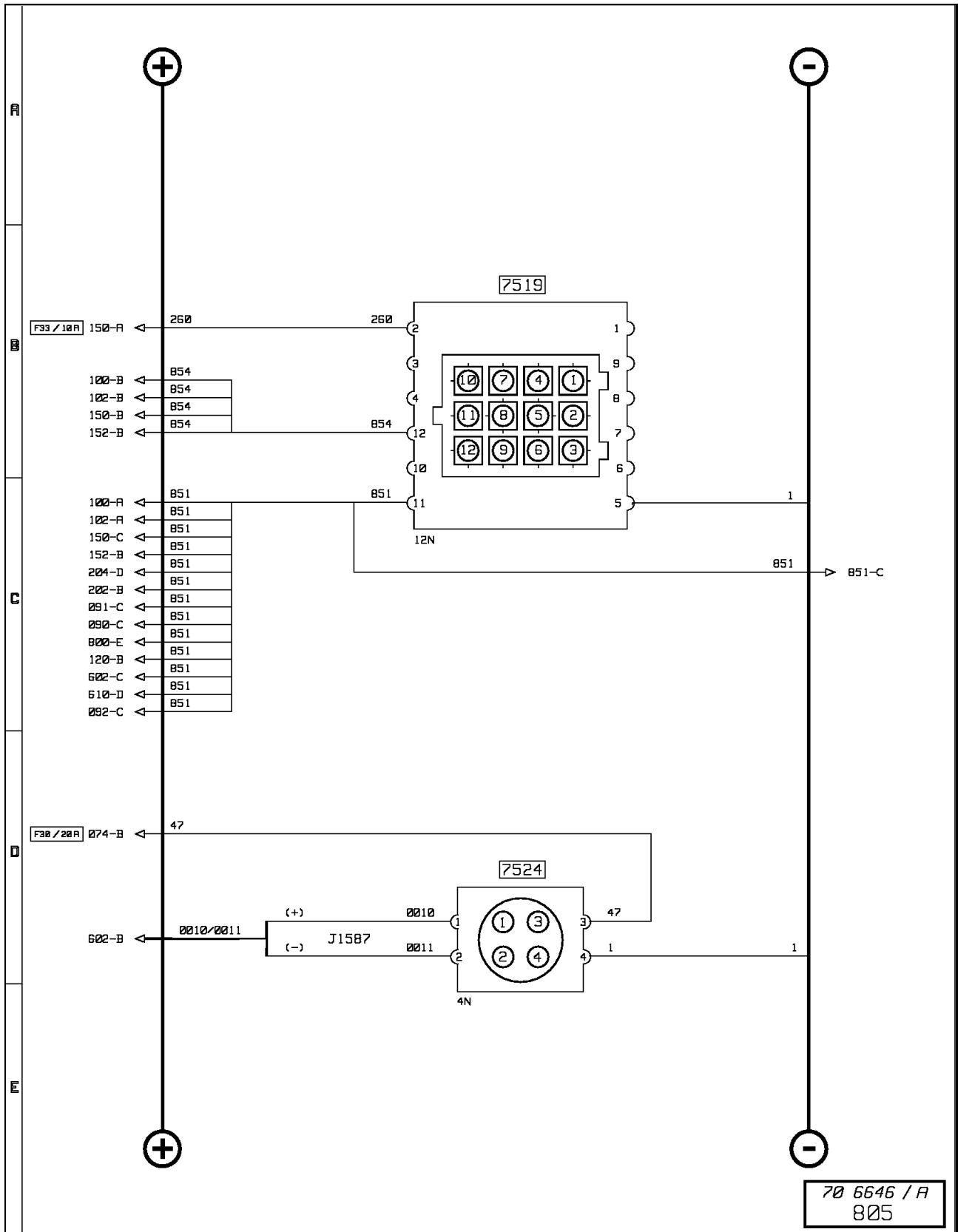
**Tachograph****Key to appliances**

<b>Code N°</b>	<b>Name of function</b>	<b>Location</b>
<b>0102</b>	Electrical connection terminal	-
<b>7114</b>	Electronic tachograph	C2b
<b>8461</b>	Vehicle speed sensor	B4d

1: with "ADR" equipment

2: without "ADR" equipment

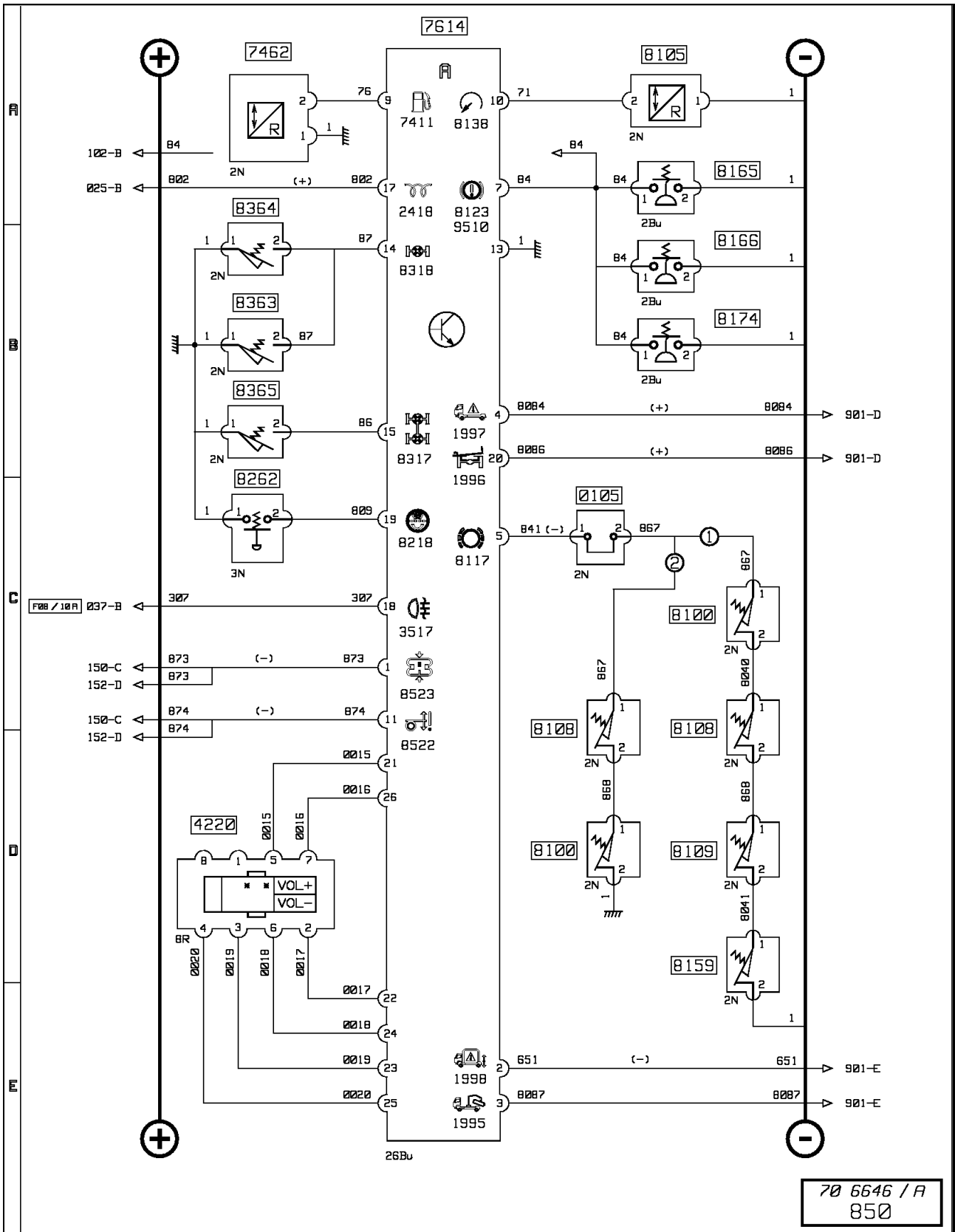
### Diagnostics socket



**Diagnostics socket****Key to appliances**

Code N°	Name of function	Location
7519	Diagnostics socket	C3c
7524	"SAE" diagnostic socket	C3c

Principal display (1/2)



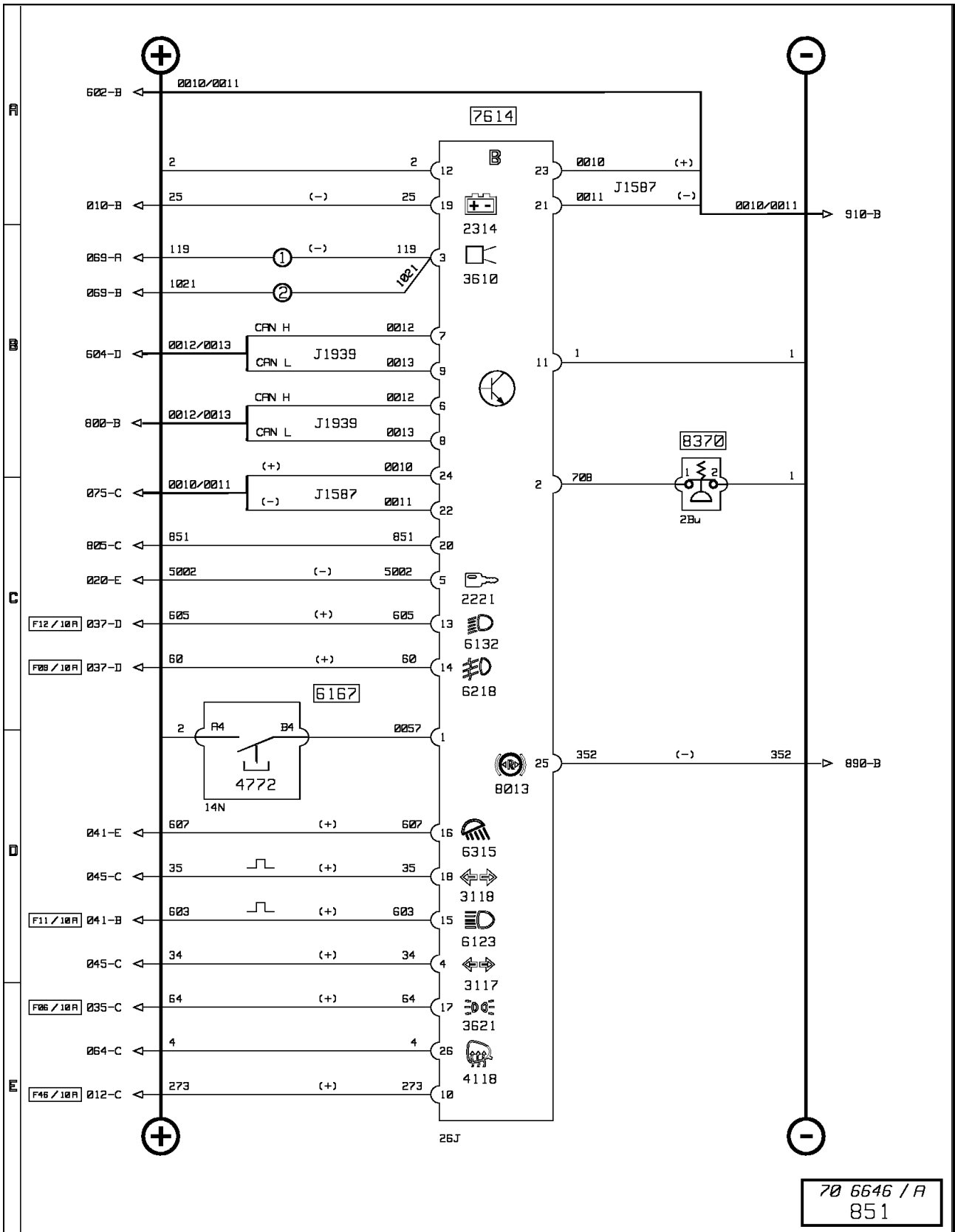
**Principal display (1/2)****Key to appliances**

Code N°	Name of function	Location
0105	Brake pads wear relay shunt	A2b
1995	Tipper raised "ALERT" warning lamp	C2b
1996	Sideboard open "ALERT" warning lamp	C2b
1997	Handrail folded "INFORMATION" warning lamp	C2b
1998	Work position equipment "ALERT" warning lamp	C2b
2418	Preheating warning lamp	C2b
3517	Fog light(s) warning lamp	C2b
4220	Radio remote control	C2b
7411	Fuel level gauge	C2b
7462	Fuel level transmitter	A5c C6c
7614	Principal display	A2b
8100	LH front brake pads wear switch sensor	C3d
8105	Rear air pressure transmitter	C5d
8108	RH front brake pads wear switch sensor	A3d
8109	LH rear brake pads wear switch sensor	A7d
8117	Brake lining wear warning lamp	C2b
8123	Air pressure alert warning lamp	C2b
8138	Brakes air pressure gauge	C2b
8159	RH rear brake pads wear switch sensor	C7d
8165	Rear brakes air pressure switch	C5d
8166	Front brakes air pressure switch	C5d
8174	Parking or trailer brake air pressure sensor	C5d
8218	Air filter clogging warning light	C2b
8262	Air filter clogging	A3d
8317	Inter-axle differential lock warning lamp	C2b
8318	Inter-wheel differential lock warning lamp	C2b
8363	Rear drive axle inter-wheel diff. lock position sensor	B7d B8d
8364	Inter-wheel differential lock switch	B7d B8d
8365	Inter axle diff. lock position sensor	B7d B8d
8522	Suspension information warning lamp	C2b
8523	Suspension alert warning lamp	C2b
9510	Truck combination braking "ALERT" warning lamp	C2b

1: with disc braking system &lt; 4

2: with disc braking system &lt; 2

Principal display (2/2)



70 6646 / A  
851



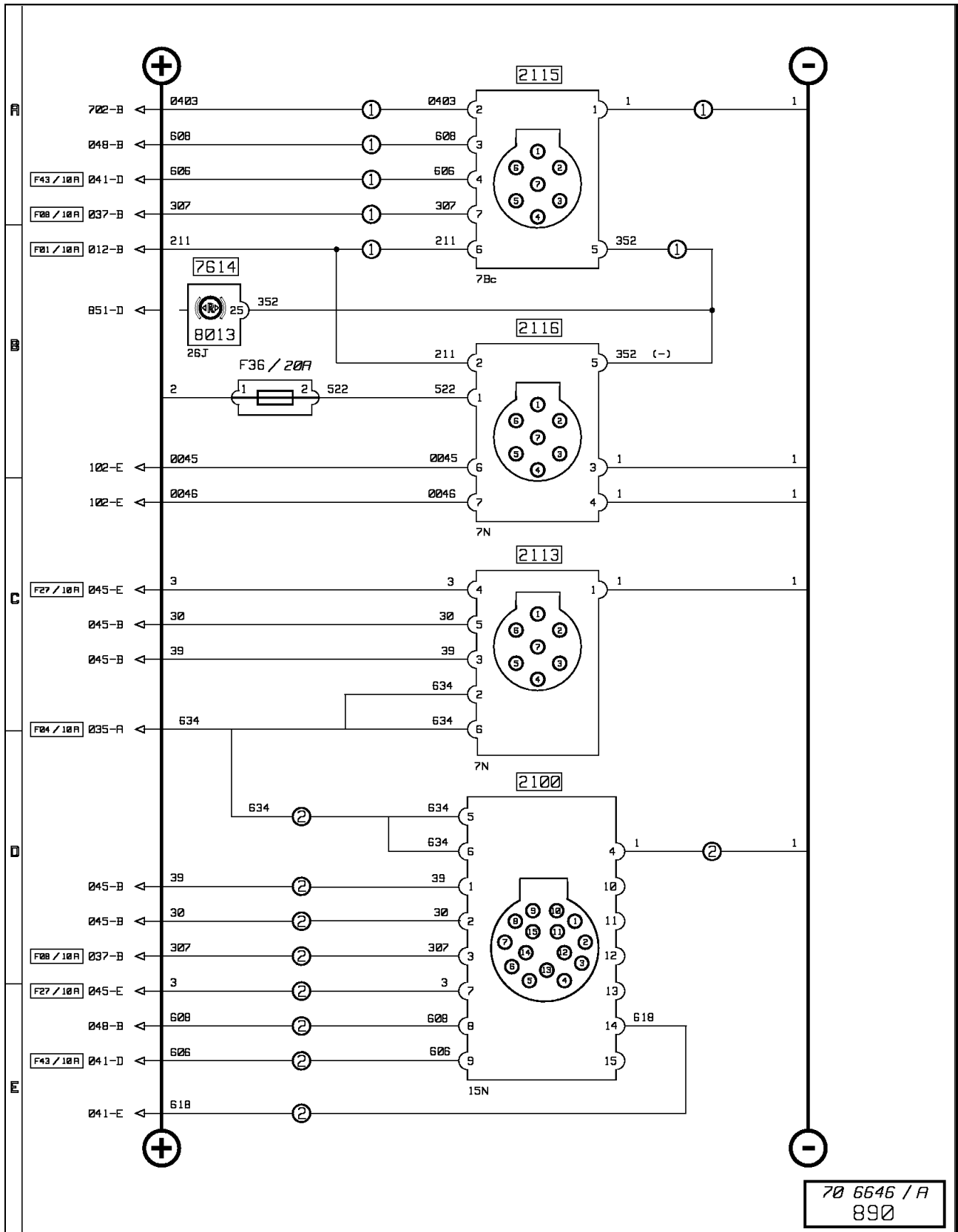
**Principal display (2/2)****Key to appliances**

<b>Code N°</b>	<b>Name of function</b>	<b>Location</b>
<b>2221</b>	Electronic anti-theft "Information" warning lamp	C2b
<b>2314</b>	Battery charge warning lamp	C2b
<b>3117</b>	Rigid or tractor flasher repeater lamp	C2b
<b>3118</b>	Trailer flasher repeater lamp	C2b
<b>3610</b>	Lights forgotten alarm	C2b
<b>3621</b>	Side/parking lights warning lamp	C2b
<b>4118</b>	Defrosting rearview mirrors warning lamp	C2b
<b>4772</b>	Display scrolling menu control	C2b
<b>6123</b>	Main beam headlights warning lamp	C2b
<b>6132</b>	Dipped beam headlights warning lamp	C2b
<b>6167</b>	Steering column fingertip controls	C2b
<b>6218</b>	Fog driving lights warning lamp	C2b
<b>6315</b>	Working floodlight warning lamp	C2b
<b>7614</b>	Principal display	C2b
<b>8013</b>	Trailer ABS safety warning lamp	C2b
<b>8370</b>	Transfer box PTO position sensor	B1c

1: with "ASTRONIC" gearbox

2: without "ASTRONIC" gearbox

Trailer socketsN -S



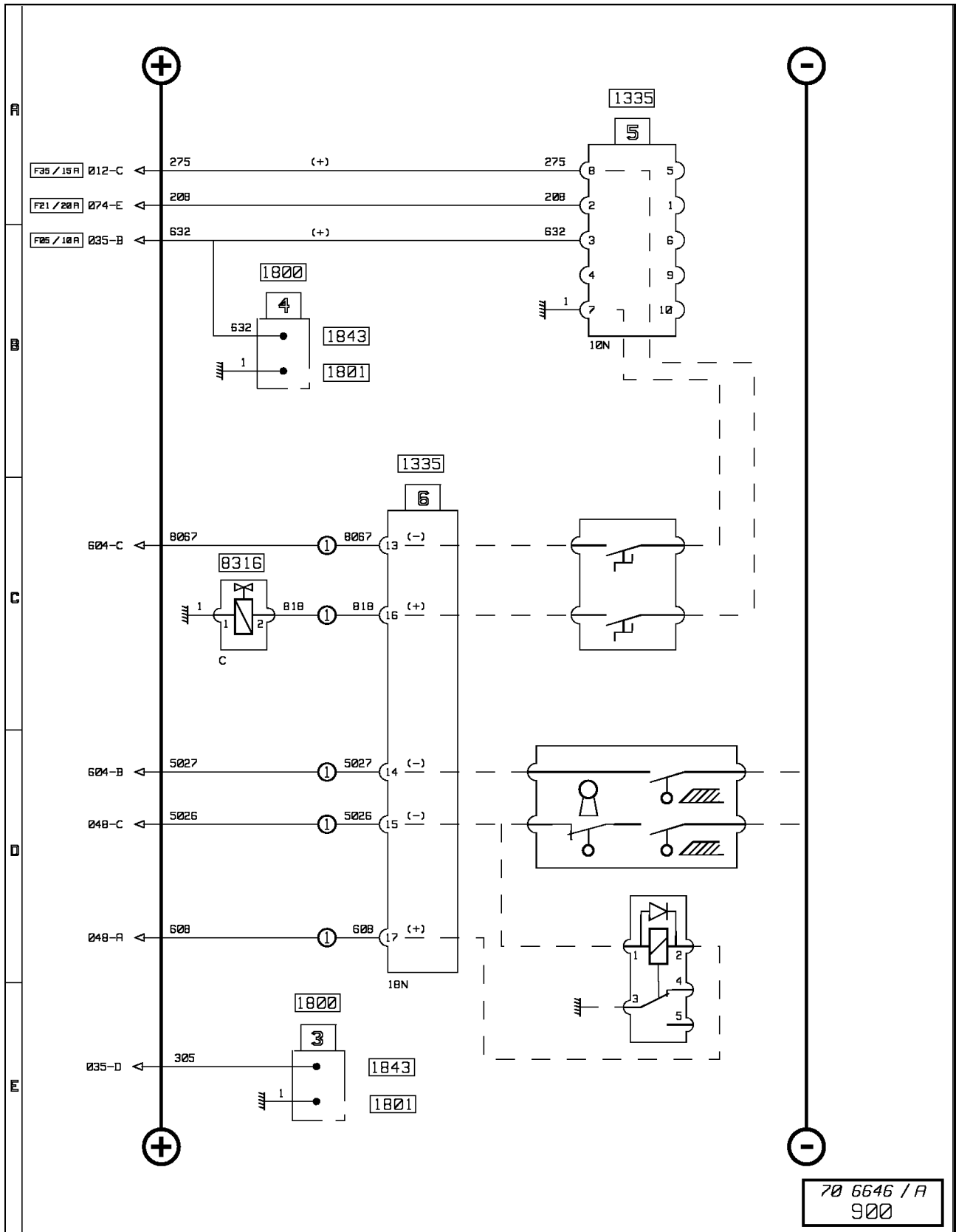
**Trailer socketsN -S****Key to appliances**

<b>Code N°</b>	<b>Name of function</b>	<b>Location</b>
<b>2100</b>	Trailer socket, 15-pin	B9d
<b>2113</b>	Trailer socket, 7-pin type 24 N	B9d
<b>2115</b>	Trailer socket, 7-pin type 24 S	B9d
<b>2116</b>	"ABS / EBS" 7-pin trailer socket	B9d
<b>7614</b>	Principal display	B2c
<b>8013</b>	Trailer ABS safety warning lamp	B2c

1: without "ADR" equipment

2: with "ADR" equipment

Available power supplies (1/3)

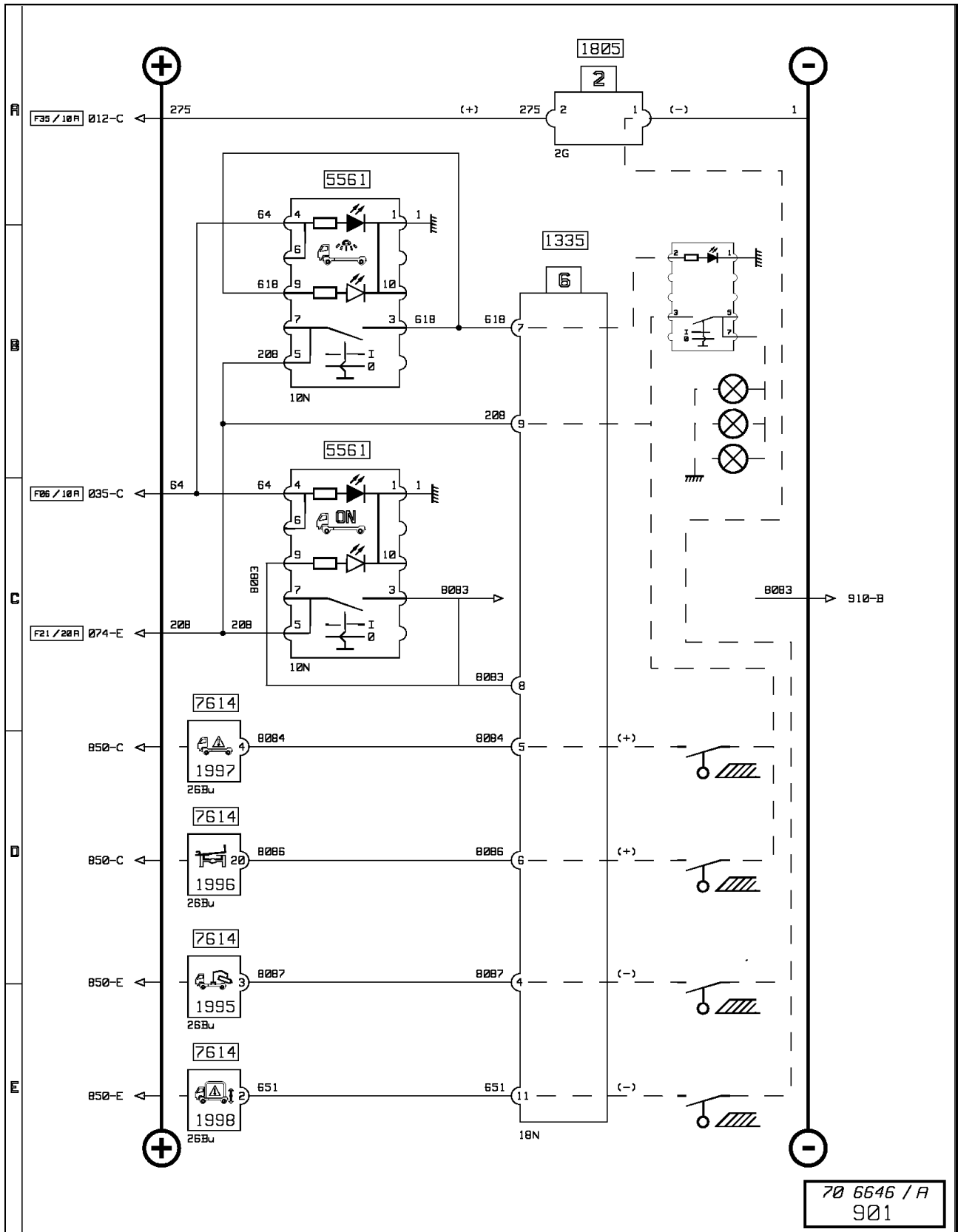


**Available power supplies (1/3)****Key to appliances**

<b>Code N°</b>	<b>Name of function</b>	<b>Location</b>
<b>1335</b>	Bodybuilder available power supplies connector	A2c
<b>1800</b>	Available power supply (insulated wires cut)	B2a / A9d
<b>1801</b>	Available power supply (vehicle earth)	B2a / A9d
<b>1843</b>	Available power supply (lighting)	B2a
<b>8316</b>	Power take-off solenoid valve	B4c

1: with "RCV" equipment

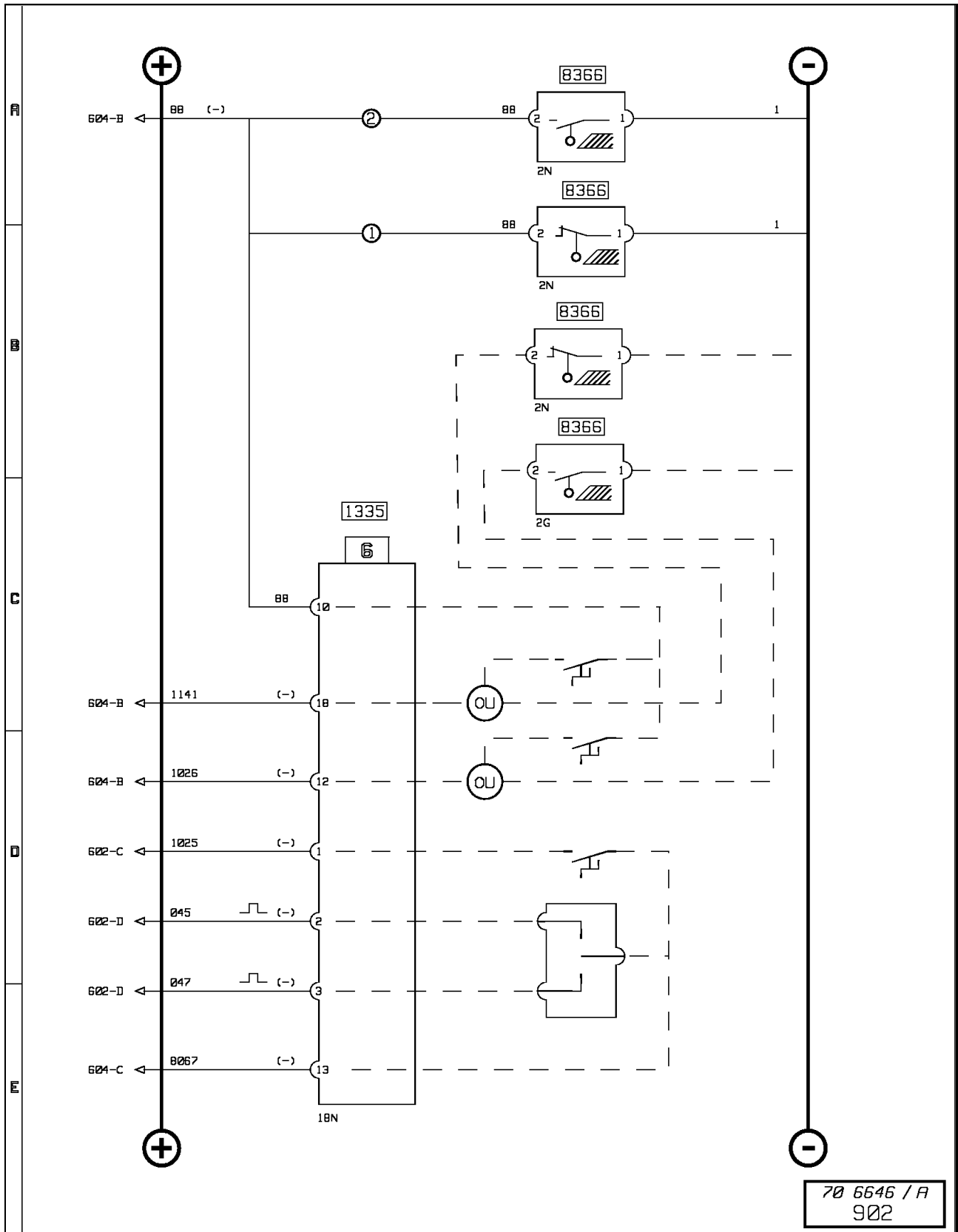
Available power supplies (2/3)



**Available power supplies (2/3)****Key to appliances**

<b>Code N°</b>	<b>Name of function</b>	<b>Location</b>
1335	Bodybuilder available power supplies connector	A2c
1805	Available power supply (after ignition)	A2c
1995	Tipper raised "ALERT" warning lamp	C2b
1996	Sideboard open "ALERT" warning lamp	C2b
1997	Handrail folded "INFORMATION" warning lamp	C2b
1998	Work position equipment "ALERT" warning lamp	C2b
5561	Valves lighting control	C2b
7614	Principal display	C2b

Available power supplies (3/3)





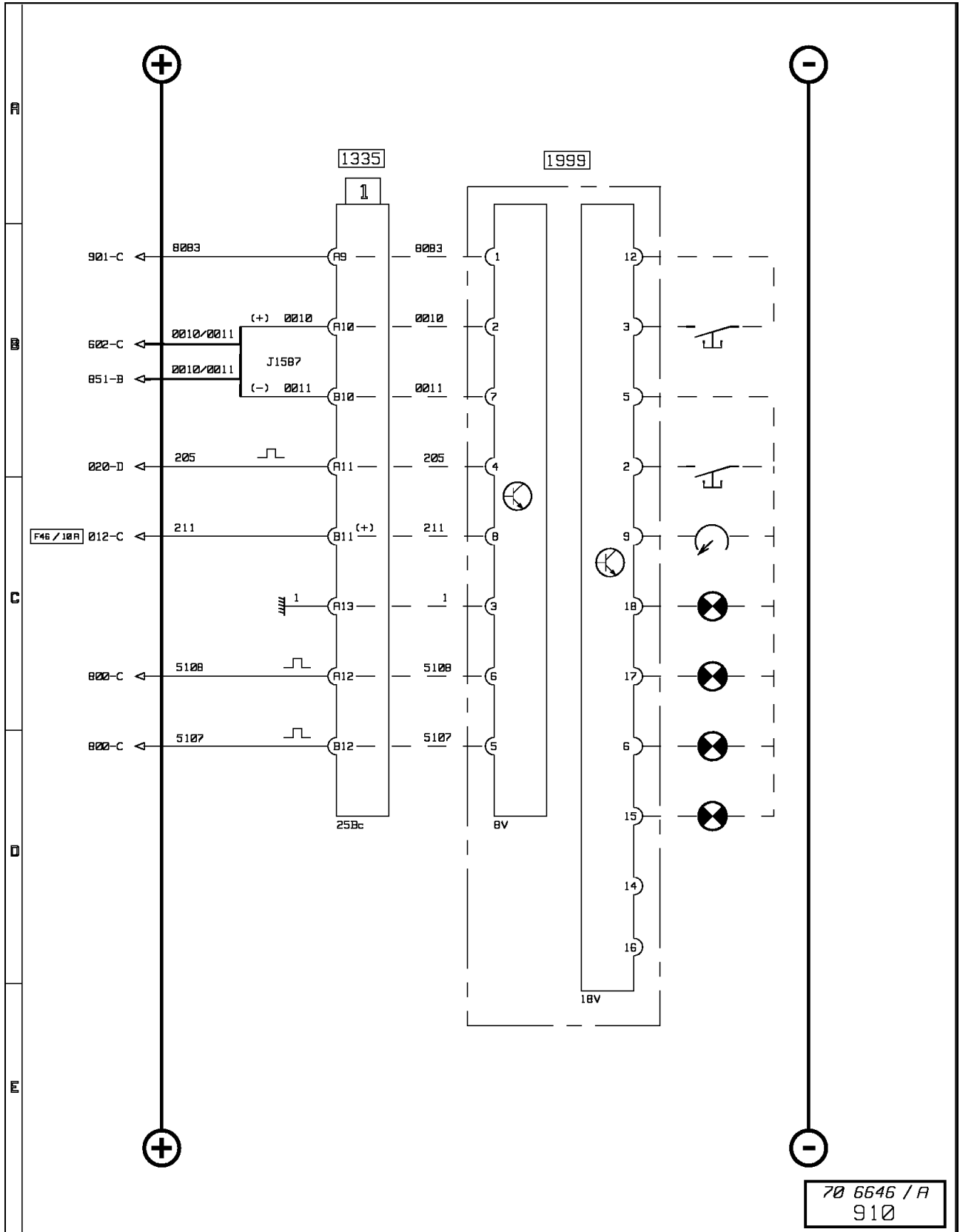
**Available power supplies (3/3)****Key to appliances**

<b>Code N°</b>	<b>Name of function</b>	<b>Location</b>
1335	Bodybuilder available power supplies connector	A2c
8366	Power take-off position sensor	B4c

1: with "ALLISON" gearbox

2: with other gearboxes

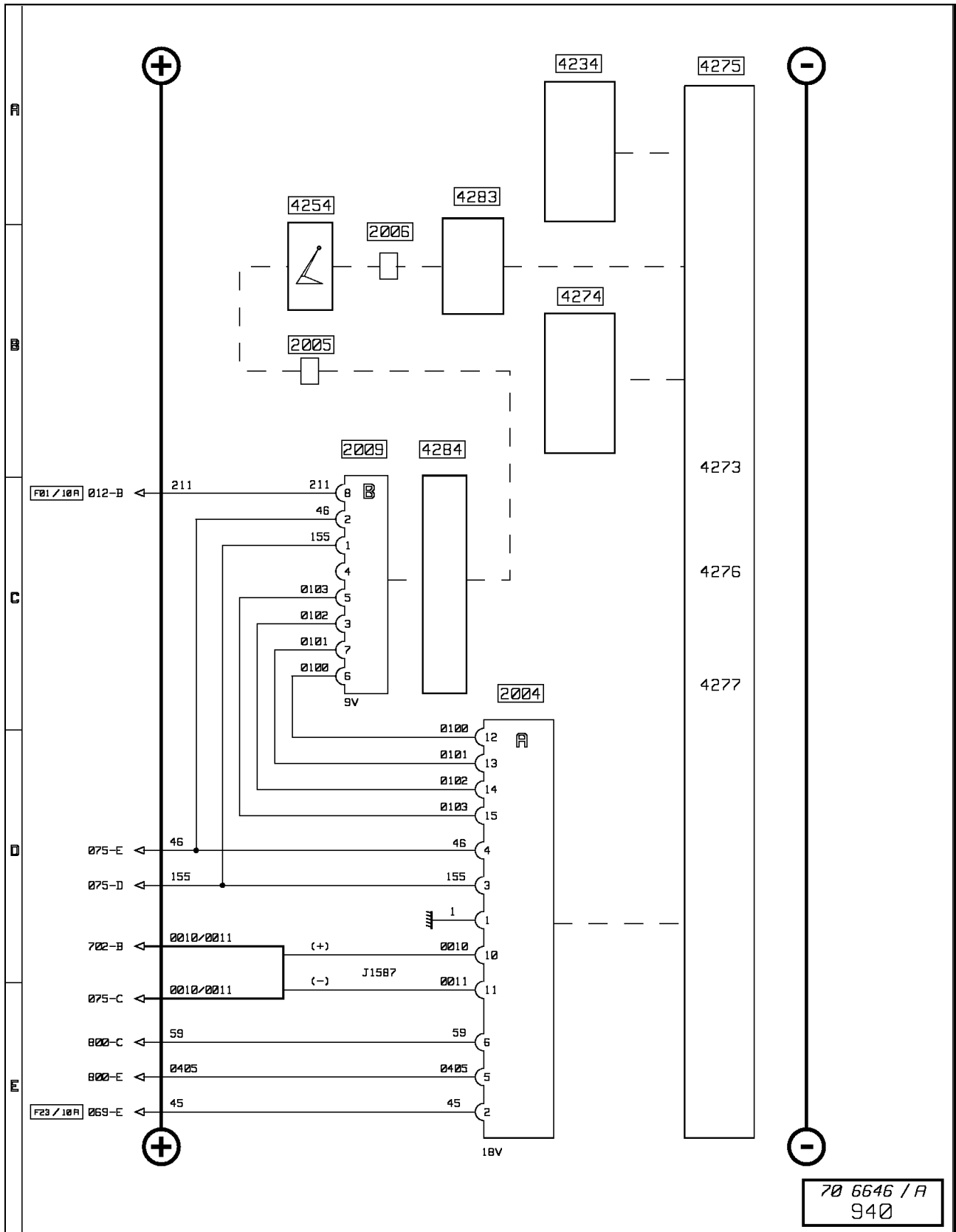
ECU "CECU"



**ECU "CECU"****Key to appliances**

<b>Code N°</b>	<b>Name of function</b>	<b>Location</b>
1335	Bodybuilder available power supplies connector	A2c
1999	ECU for bodybuilder pre-arrangement	A2c

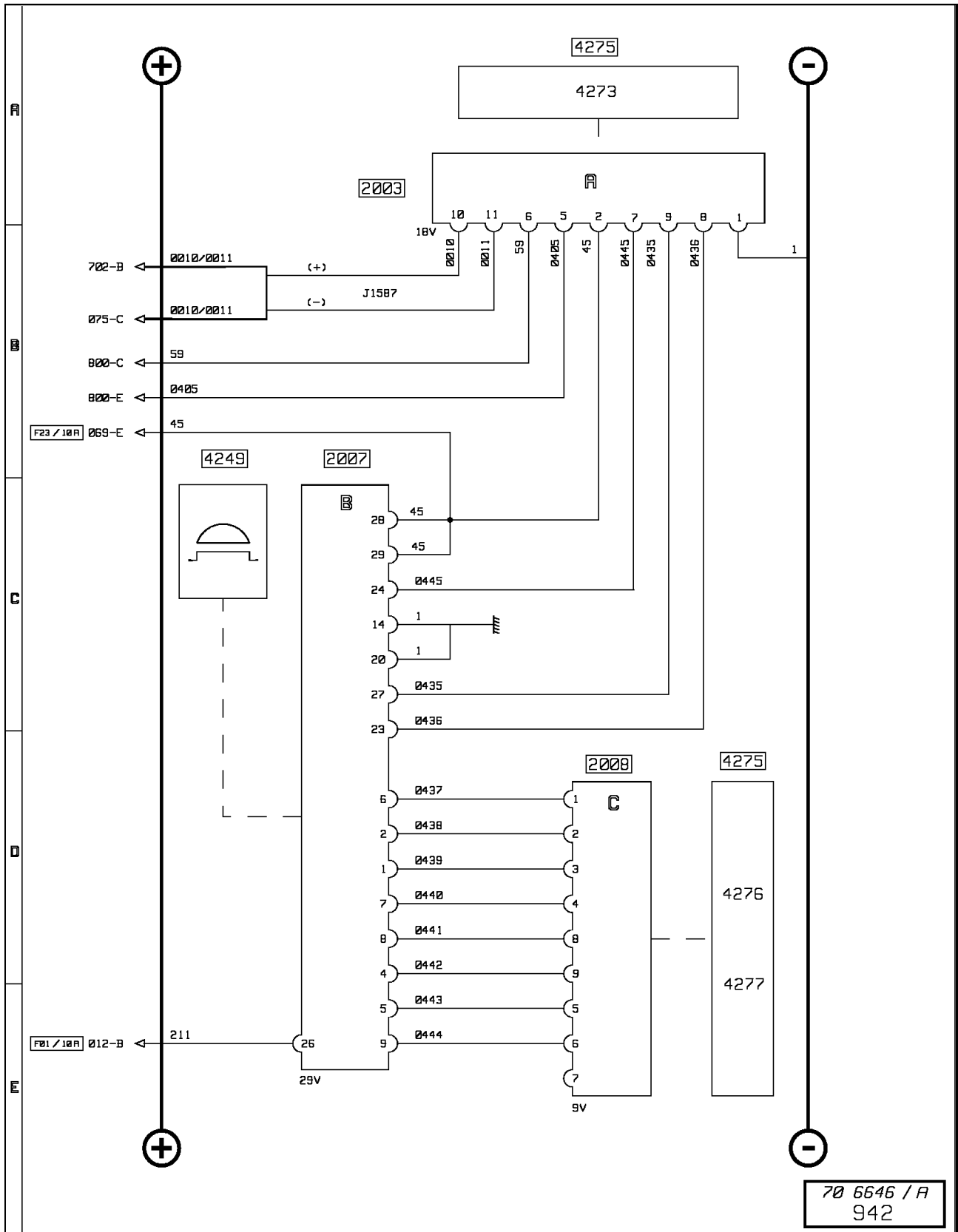
### Onboard management "TMC 2001"



**Onboard management "TMC 2001"****Key to appliances**

<b>Code N°</b>	<b>Name of function</b>	<b>Location</b>
<b>2004</b>	Onboard management pre-arrangement (computer)	B2c
<b>2005</b>	Onboard management pre-arrangement (GPS antenna)	A2a
<b>2006</b>	Onboard management pre-arrangement (telecommunications antenna)	A2a
<b>2009</b>	Onboard management pre-arrangement (GPS antenna)	B2a
<b>4234</b>	Printer	-
<b>4254</b>	Antenna (GPS and telecommunications)	-
<b>4273</b>	GPS telecommunications ECU	-
<b>4274</b>	Badge reader	-
<b>4275</b>	GPS computer	-
<b>4276</b>	GPS screen	-
<b>4277</b>	GPS keyboard	-
<b>4283</b>	GPS module	-
<b>4284</b>	Telecommunications module	-

### Onboard management "EUTEL TRACS"



70 6646 / A  
942

**Onboard management "EUTEL TRACS"****Key to appliances**

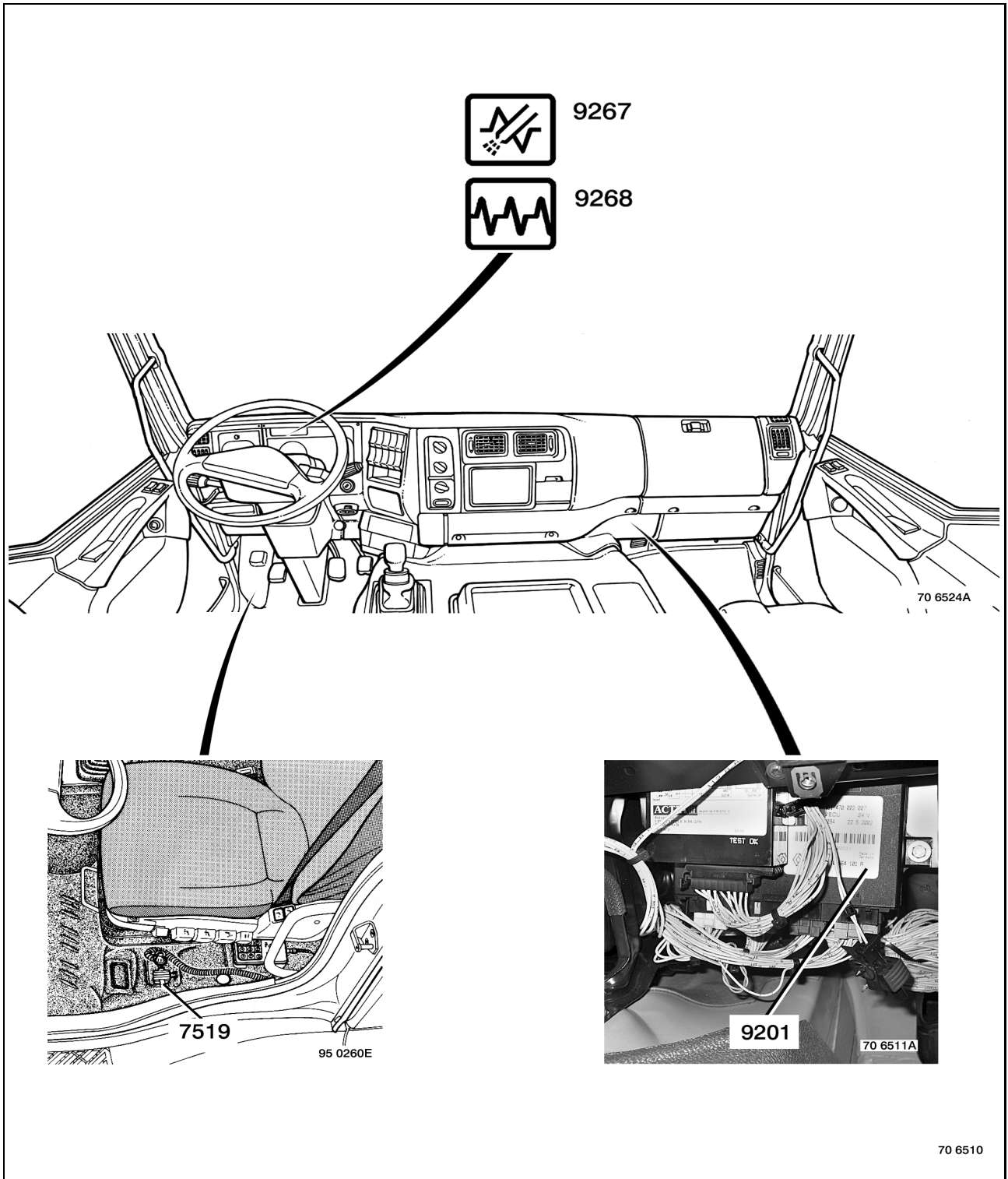
<b>Code N°</b>	<b>Name of function</b>	<b>Location</b>
<b>2003</b>	Onboard management pre-arrangement (ECU)	A3b
<b>2007</b>	Onboard management pre-arrangement (GPS antenna)	C3a
<b>2008</b>	Onboard management pre-arrangement (screen and keyboard)	B2a
<b>4249</b>	"GPS" antenna	-
<b>4273</b>	GPS telecommunications ECU	-
<b>4275</b>	GPS computer	-
<b>4276</b>	GPS screen	-
<b>4277</b>	GPS keyboard	-





## **PINPOINTING OF APPLIANCES**

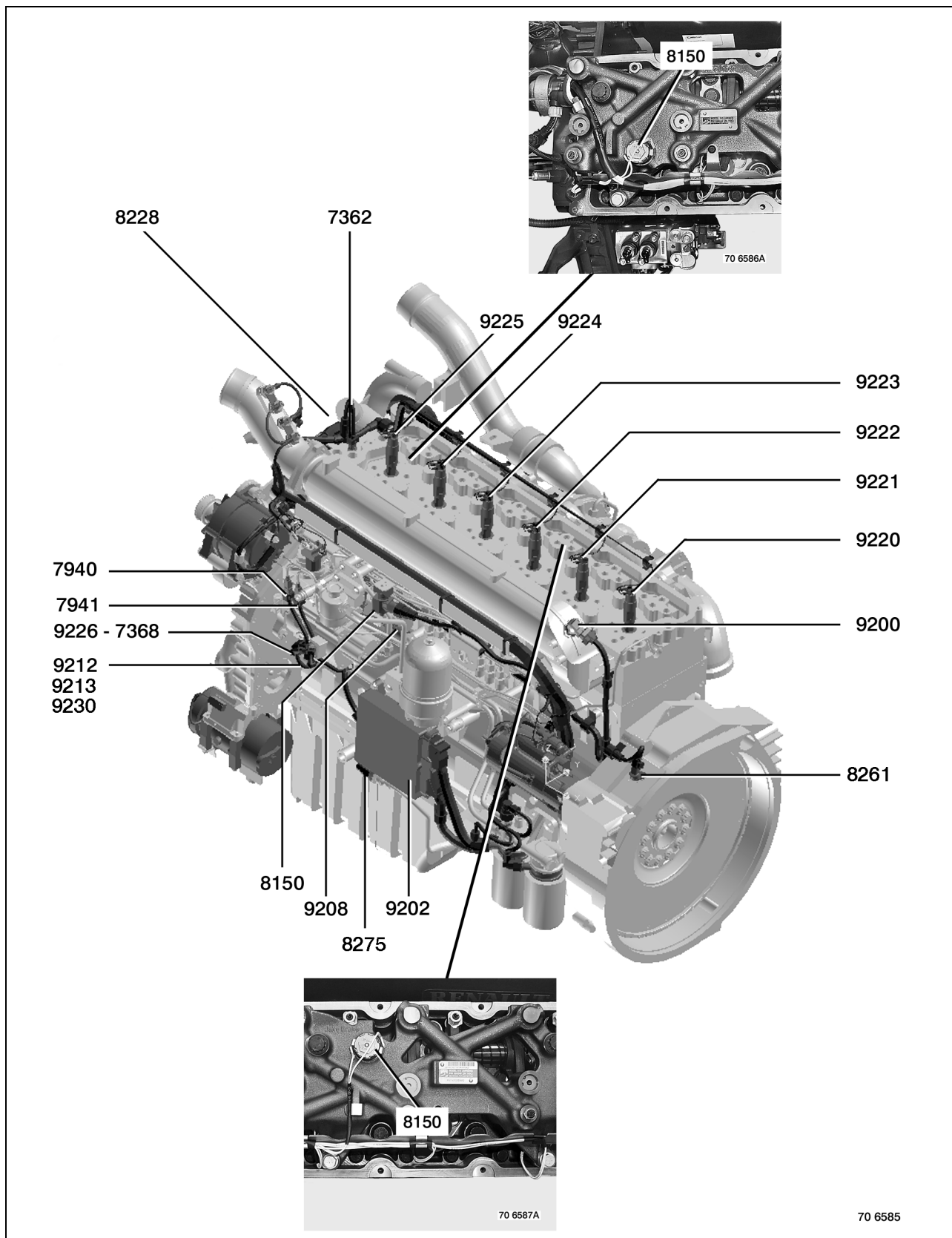
Vehicle electronic management



**Vehicle electronic management****Layout of appliances in cab****Key to appliances**

<b>Code N°</b>	<b>Name of function</b>	<b>Location</b>
7519	Diagnostics socket	805
9201	Vehicle master ECU (VECU)	602 / 604
9267	Vehicle major electronic defect warning lamp	-
9268	Vehicle minor electronic defect warning lamp	-

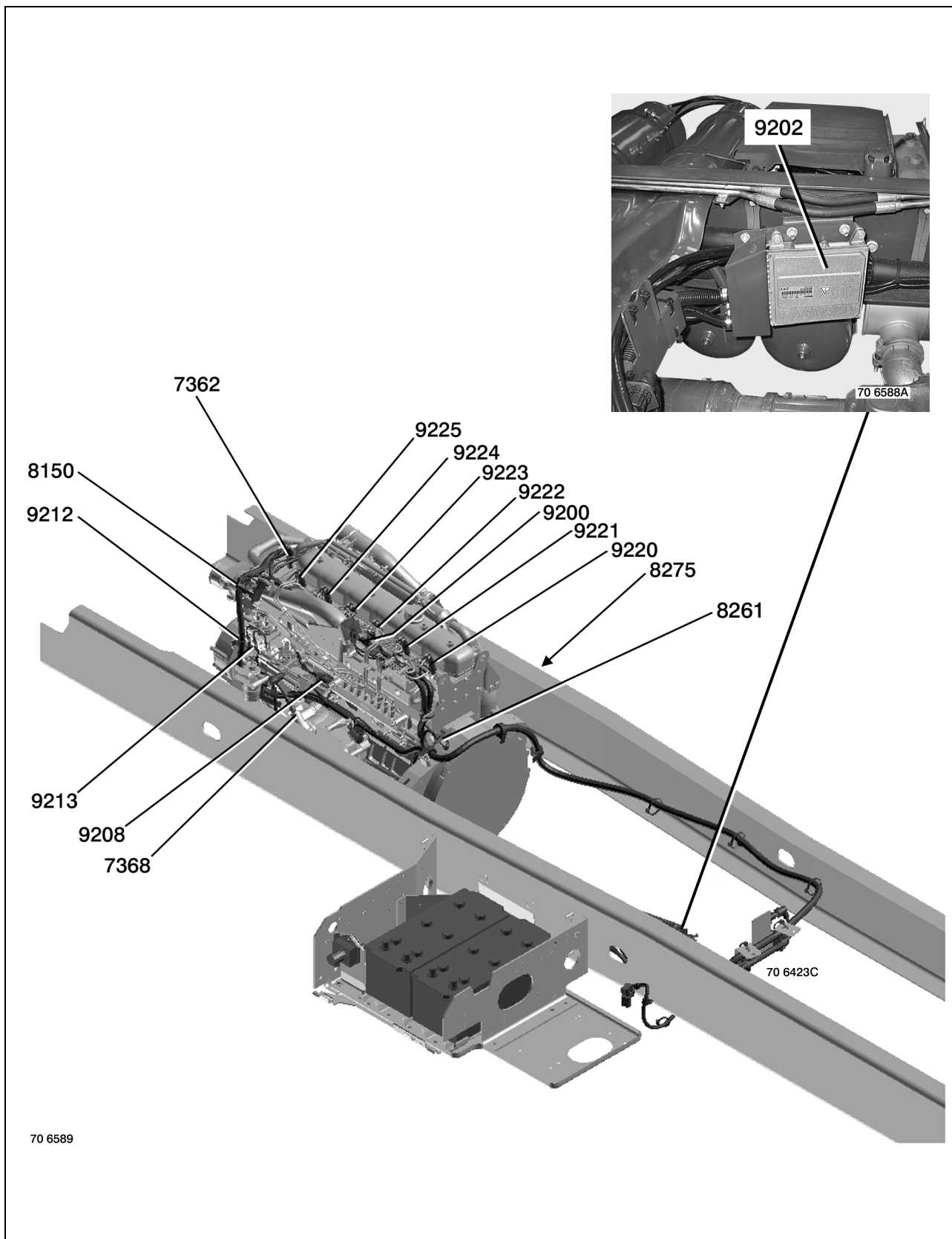
### Engine electronic management dCi11



**Engine electronic management dCi11****Layout of appliances on engine****Key to appliances**

<b>Code N°</b>	<b>Name of function</b>	<b>Location</b>
<b>7362</b>	Coolant temperature sensor	612
<b>7368</b>	Oil pressure sensor	612
<b>7940</b>	Jake brake solenoid valve N°1	612
<b>7941</b>	Jake brake solenoid valve N°2	612
<b>8150</b>	Exhaust brake electrovalve	610
<b>8228</b>	Declutching fan	610
<b>8261</b>	Engine speed sensor	612
<b>8275</b>	Engine oil level sensor	612
<b>9200</b>	Boost air pressure and temperature sensor	612
<b>9202</b>	Engine master ECU (EECU)	610 / 612
<b>9208</b>	Fuel high pressure sensor	612
<b>9212</b>	High Pressure pump, solenoid valve cylinder	612
<b>9213</b>	High Pressure pump, solenoid valve cylinder	612
<b>9220</b>	Unit pump N°1 incorporating solenoid valve	612
<b>9221</b>	Unit pump N°2 incorporating solenoid valve	612
<b>9222</b>	Unit pump N°3 incorporating solenoid valve	612
<b>9223</b>	Unit pump N°4 incorporating solenoid valve	612
<b>9224</b>	Unit pump N°5 incorporating solenoid valve	612
<b>9225</b>	Unit pump N°6 incorporating solenoid valve	612
<b>9226</b>	Engine oil temperature sensor	612
<b>9230</b>	Camshaft speed sensor	612

### Engine electronic management dCi6

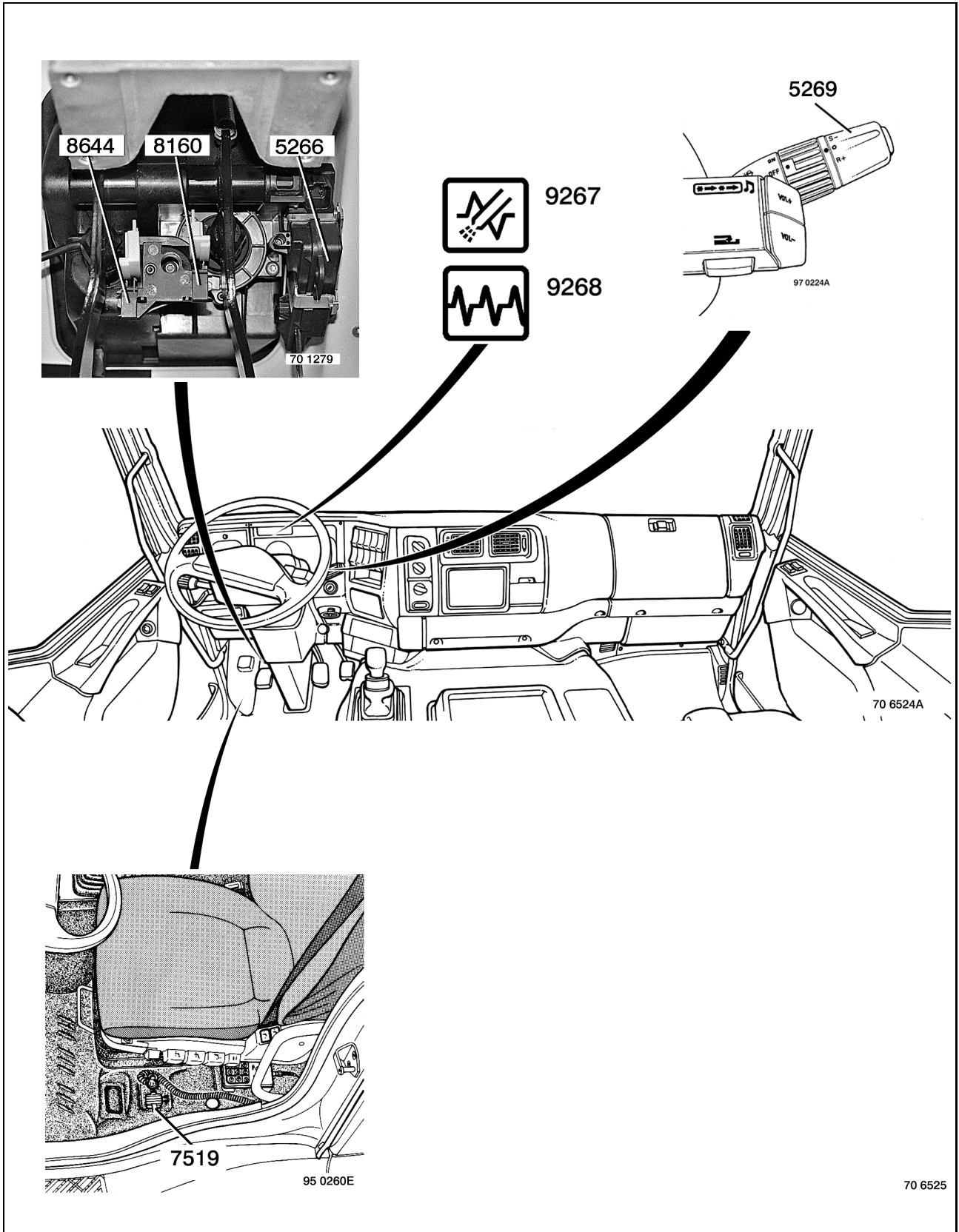


70 6589

**Engine electronic management dCi6****Layout of appliances on engine****Key to appliances**

<b>Code N°</b>	<b>Name of function</b>	<b>Location</b>
<b>7362</b>	Coolant temperature sensor	612
<b>7368</b>	Oil pressure sensor	612
<b>8150</b>	Exhaust brake electrovalve	610
<b>8261</b>	Engine speed sensor	612
<b>8275</b>	Engine oil level sensor	612
<b>9200</b>	Boost air pressure and temperature sensor	612
<b>9202</b>	Engine master ECU (EECU)	612
<b>9208</b>	Fuel high pressure sensor	612
<b>9212</b>	High Pressure pump, solenoid valve cylinder	612
<b>9213</b>	High Pressure pump, solenoid valve cylinder	612
<b>9220</b>	Unit pump N°1 incorporating solenoid valve	612
<b>9221</b>	Unit pump N°2 incorporating solenoid valve	612
<b>9222</b>	Unit pump N°3 incorporating solenoid valve	612
<b>9223</b>	Unit pump N°4 incorporating solenoid valve	612
<b>9224</b>	Unit pump N°5 incorporating solenoid valve	612
<b>9225</b>	Unit pump N°6 incorporating solenoid valve	612

### Engine electronic management (1/2)

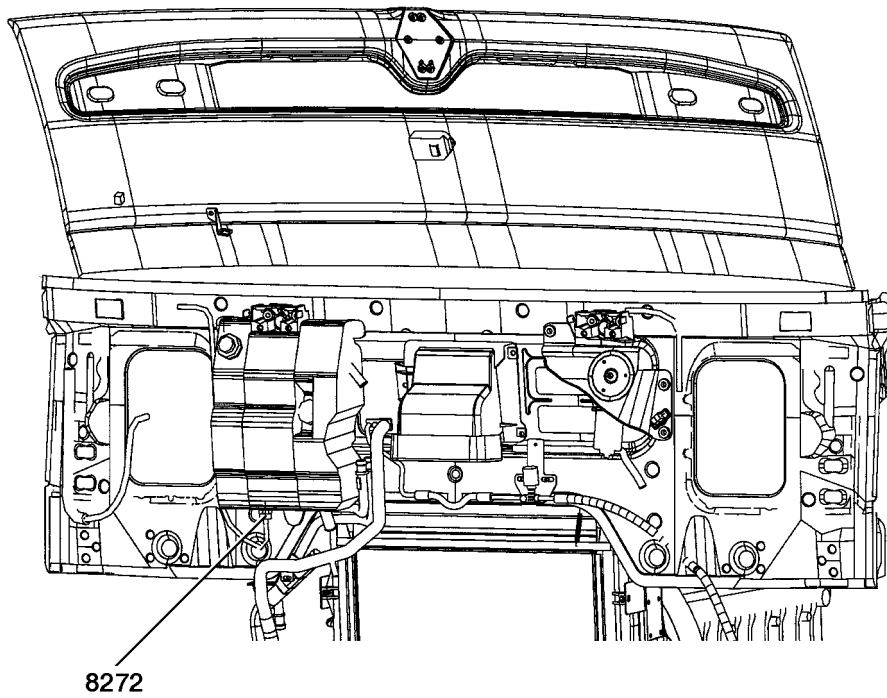




**Engine electronic management (1/2)****Layout of appliances in cab****Key to appliances**

<b>Code N°</b>	<b>Name of function</b>	<b>Location</b>
<b>5266</b>	Accelerator pedal position sensor	602
<b>5269</b>	Engine cruise control and speed regulator adjustment control	602
<b>7519</b>	Diagnostics socket	805
<b>8160</b>	Stop lights switch	602
<b>8644</b>	Clutch switch contact position sensor	602
<b>9267</b>	Vehicle major electronic defect warning lamp	-
<b>9268</b>	Vehicle minor electronic defect warning lamp	-

Engine electronic management (2/2)

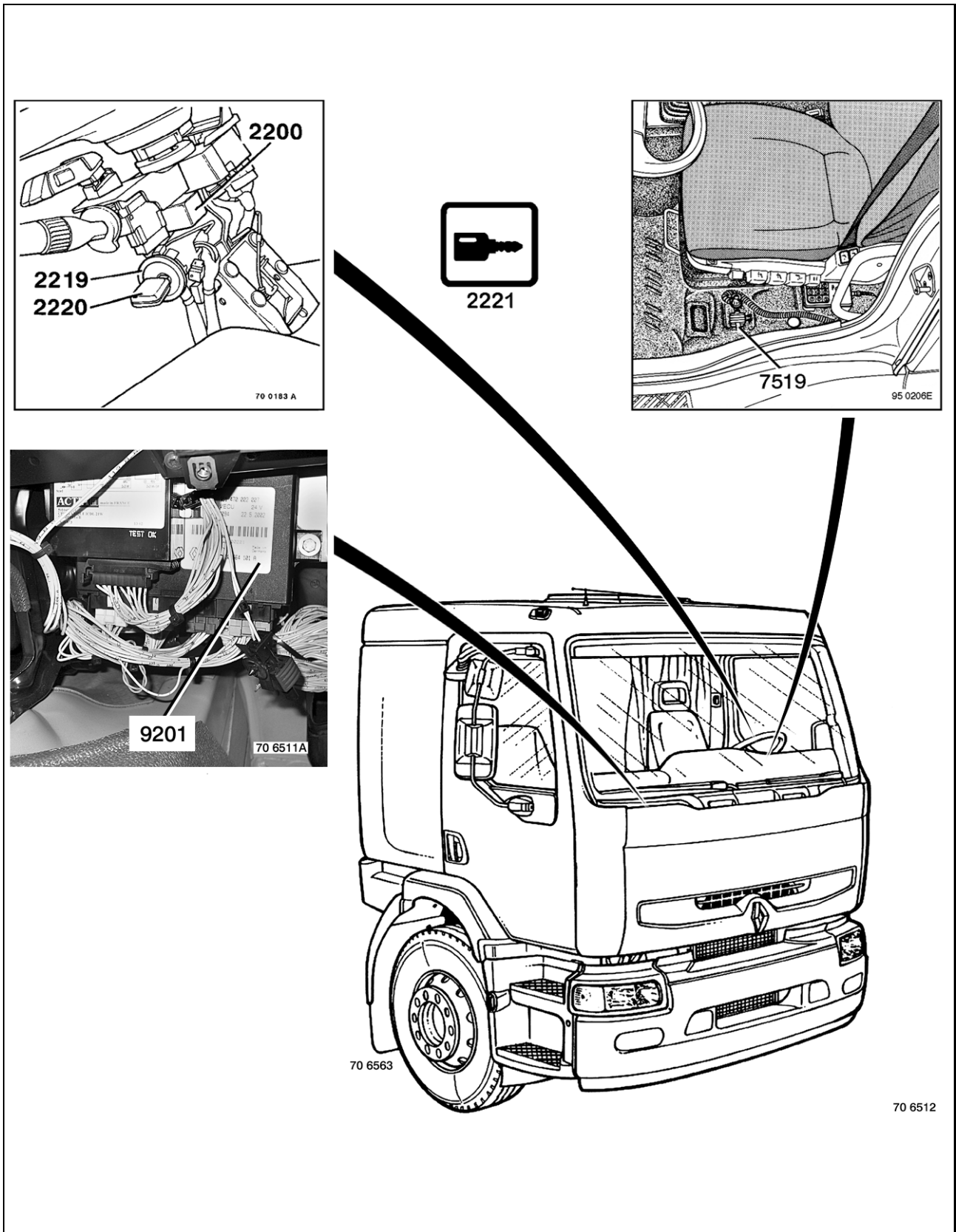


70 6690

**Engine electronic management (2/2)****Layout of appliances in cab****Key to appliances**

<b>Code N°</b>	<b>Name of function</b>	<b>Location</b>
8272	Engine cooling circuit level sensor	610

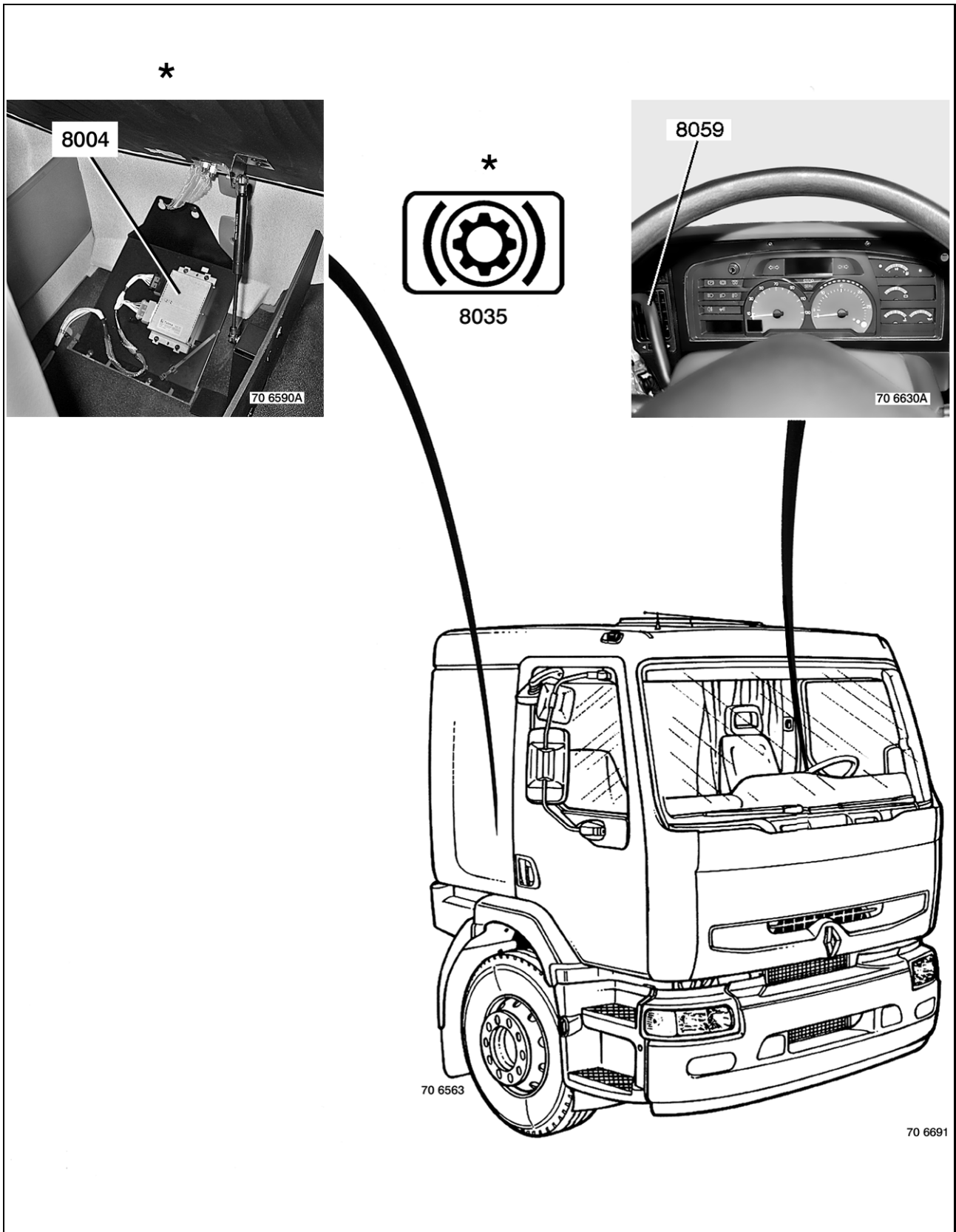
### Electronic anti-theft



**Electronic anti-theft****Layout of appliances in cab****Key to appliances**

<b>Code N°</b>	<b>Name of function</b>	<b>Location</b>
<b>2200</b>	Anti-theft electronic box	020
<b>2219</b>	Transponder antenna	020
<b>2220</b>	Transponder ignition key	020
<b>2221</b>	Electronic anti-theft "Information" warning lamp	020
<b>7519</b>	Diagnostics socket	805
<b>9201</b>	Vehicle master ECU (VECU)	602 / 604

### Electric retarder / Electronically controlled electric retarder (1/2)

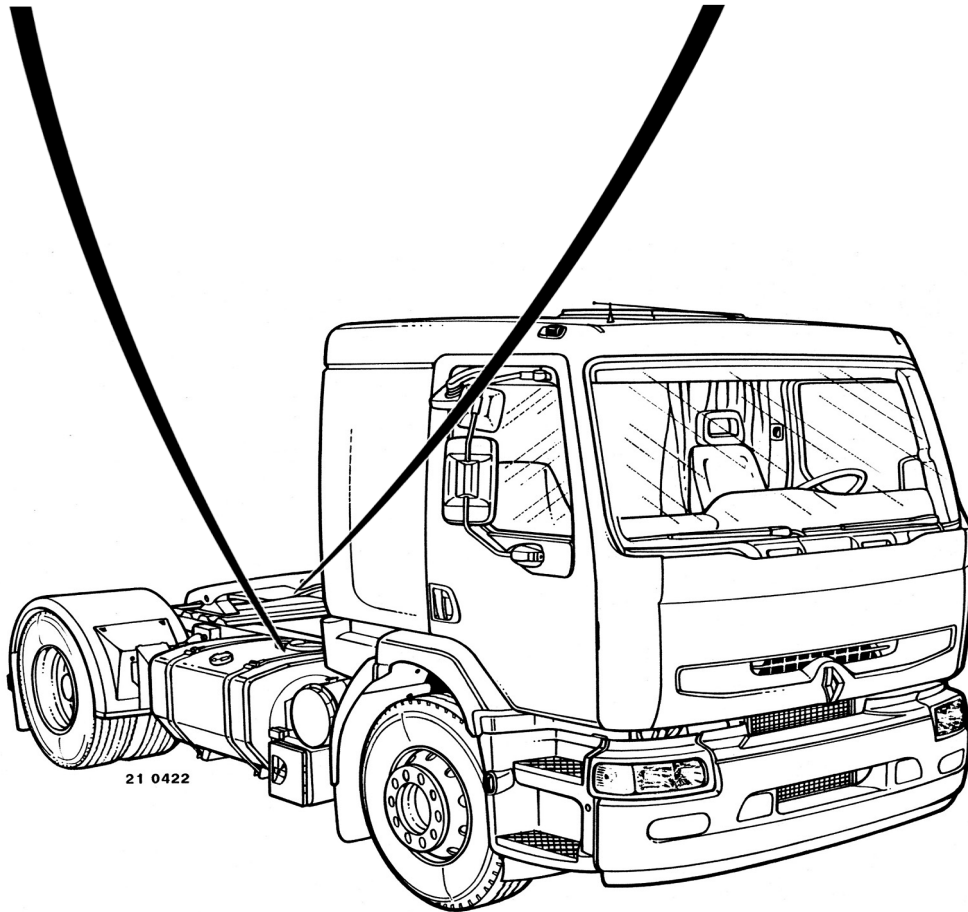
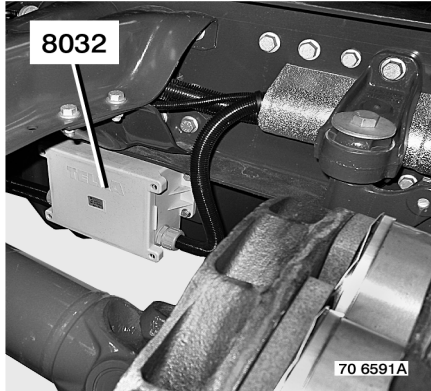


**Electric retarder / Electronically controlled electric retarder (1/2)****Layout of appliances in cab****Key to appliances**

<b>Code N°</b>	<b>Name of function</b>	<b>Location</b>
<b>8004</b>	Electric retarder ECU	202
<b>8035</b>	Electric or hydraulic retarder warning lamp	-
<b>8059</b>	Electric or hydraulic retardation control	200 / 202

\* Electronically controlled electric retarder only

Electric retarder / Electronically controlled electric retarder (2/2)



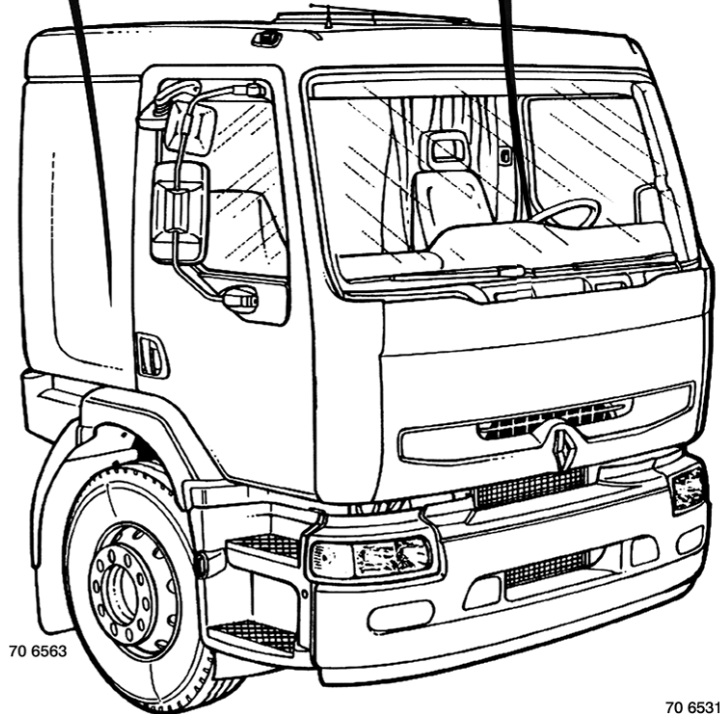
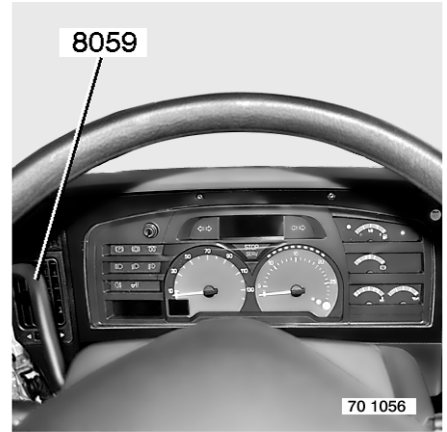
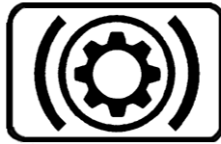
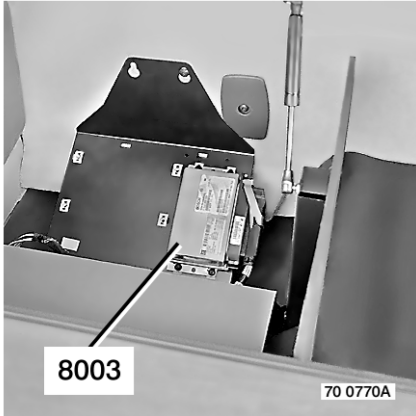
70 6564



**Electric retarder / Electronically controlled electric retarder (2/2)****Layout of appliances on chassis****Key to appliances**

<b>Code N°</b>	<b>Name of function</b>	<b>Location</b>
8032	Electric retarder relay box	200 / 202
8034	Electric retarder	200 / 202

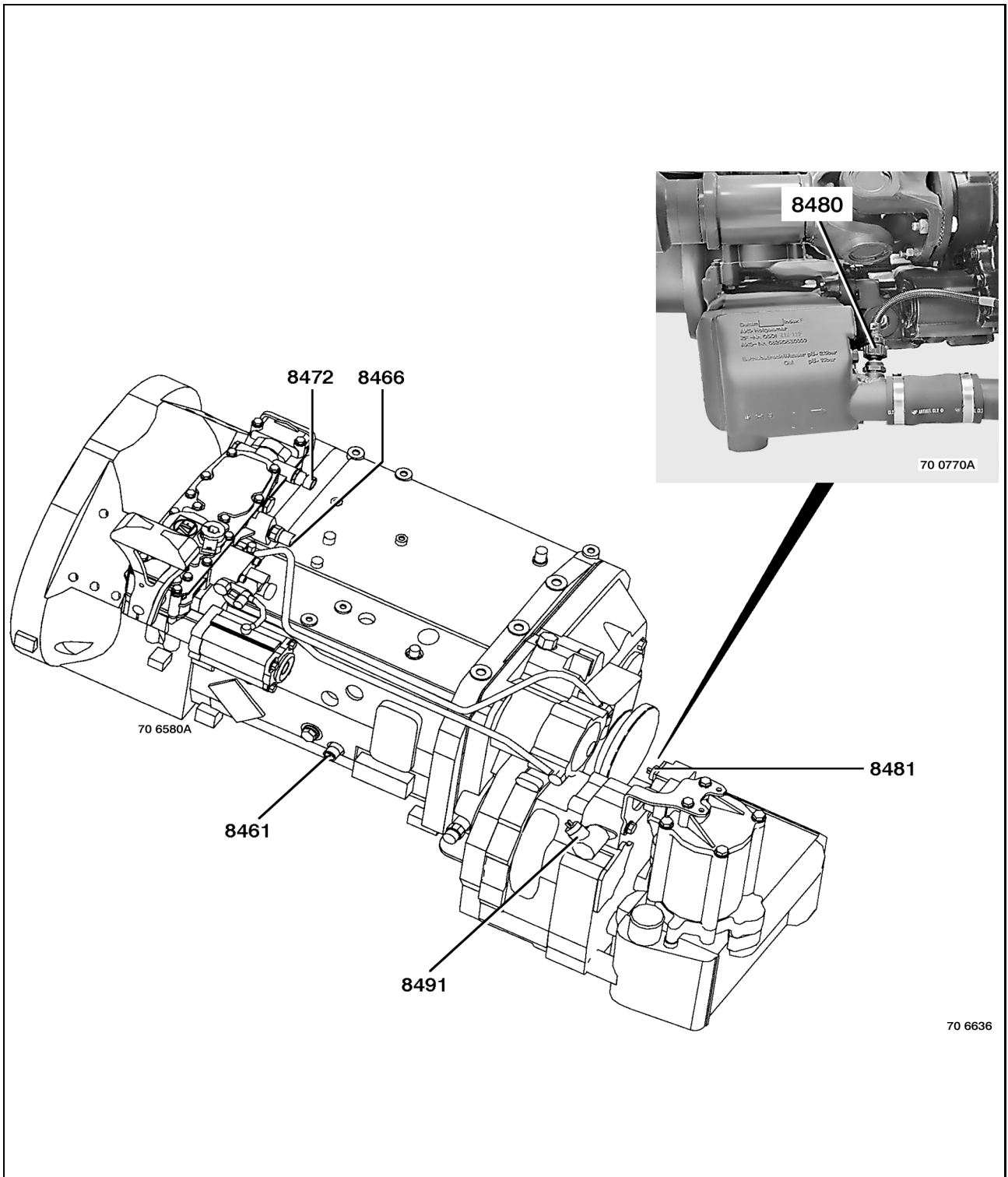
### Hydraulic retarder (1/2)



**Hydraulic retarder (1/2)****Layout of appliances in cab****Key to appliances**

<b>Code N°</b>	<b>Name of function</b>	<b>Location</b>
<b>8003</b>	Hydraulic retarder ECU	204
<b>8035</b>	Electric or hydraulic retarder warning lamp	-
<b>8059</b>	Electric or hydraulic retardation control	204

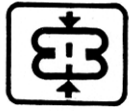
### Hydraulic retarder (2/2)



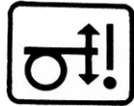
**Hydraulic retarder (2/2)****Layout of appliances on gearbox****Key to appliances**

<b>Code N°</b>	<b>Name of function</b>	<b>Location</b>
<b>8461</b>	Vehicle speed sensor	800
<b>8466</b>	Neutral switch position sensor	020
<b>8472</b>	Reverse gear switch	048
<b>8480</b>	Hydraulic retarder cooling system temperature sensor	204
<b>8481</b>	Retarder accumulator solenoid valve	204
<b>8491</b>	Hydraulic retarder proportional opening solenoid valve	204

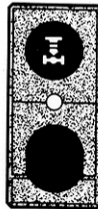
Air suspension "4 X 2 - 6 X 2 - 6 X 2/4"



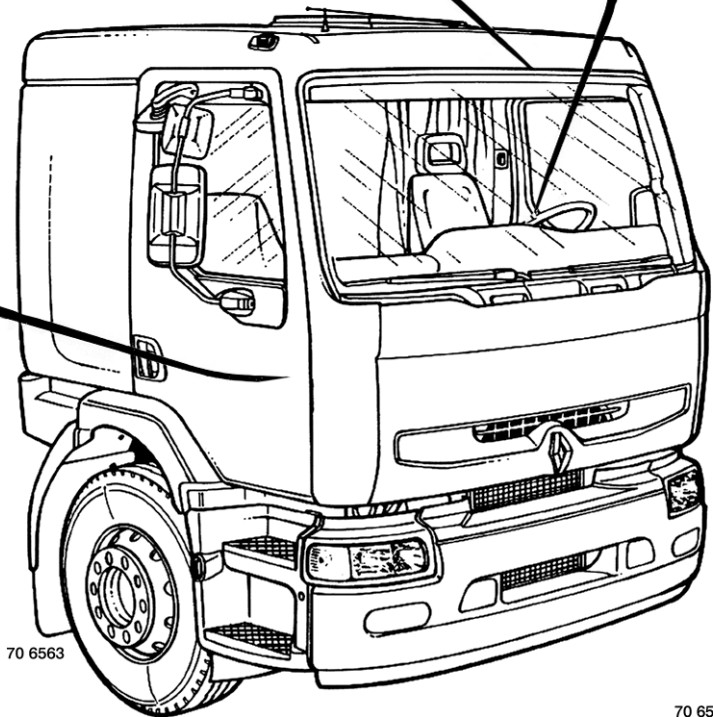
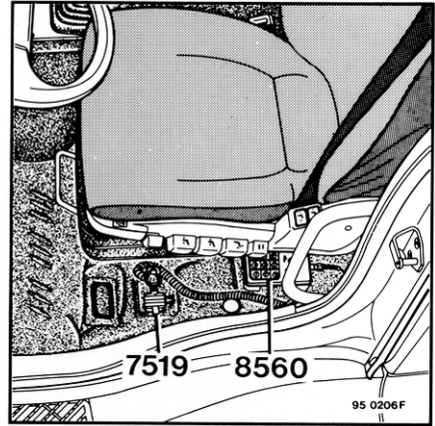
8523



8522



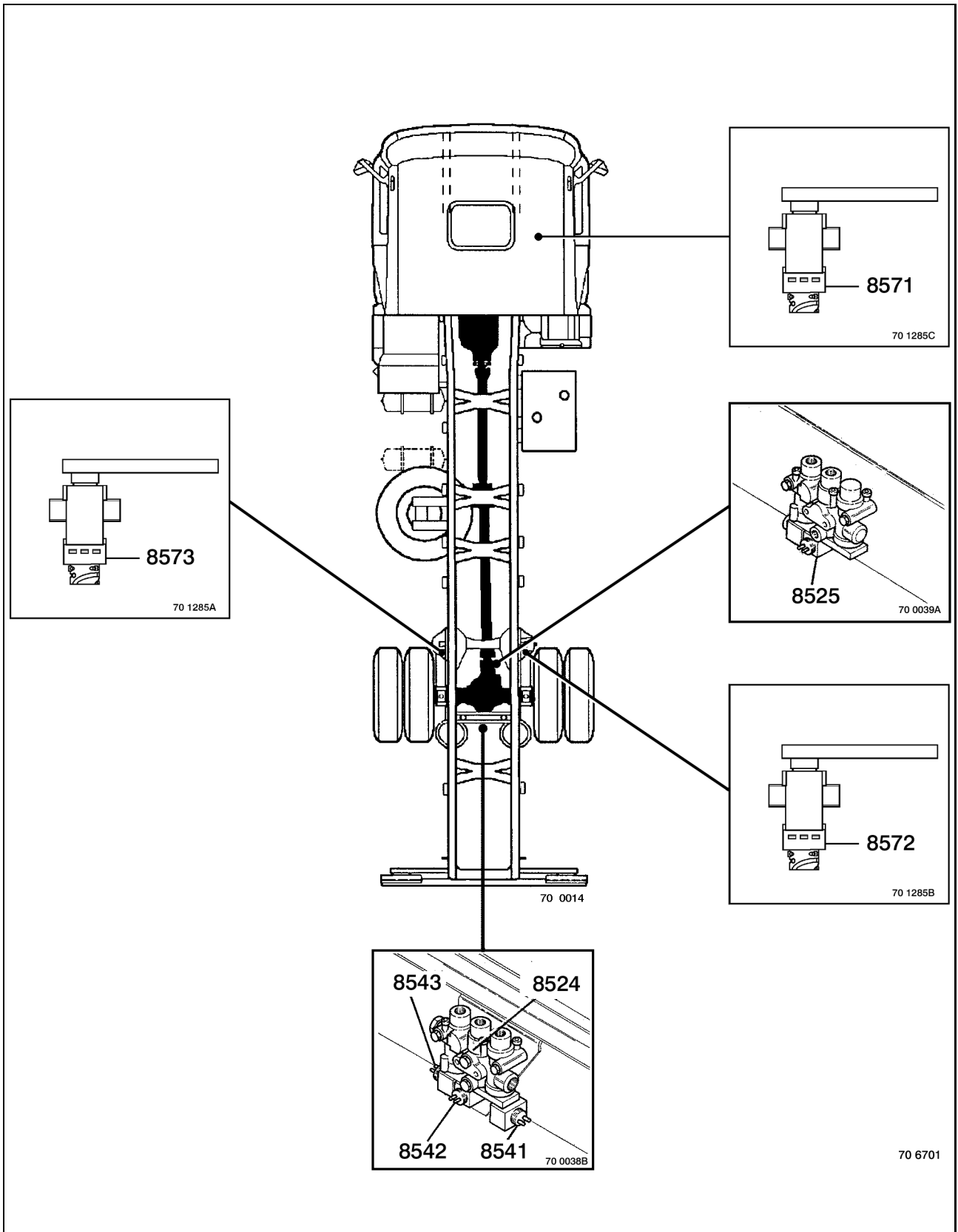
8569



**Air suspension "4 X 2 - 6 X 2 - 6 X 2/4"****Layout of appliances in cab****Key to appliances**

<b>Code N°</b>	<b>Name of function</b>	<b>Location</b>
7519	Diagnostics socket	805
8502	Suspension ECU	150 / 152
8522	Suspension information warning lamp	150 / 152 / 850
8523	Suspension alert warning lamp	150 / 152 / 850
8560	Air suspension remote control box	150 / 152
8569	Lift-up axle load shedding control	152

### Air suspension "4 X 2"

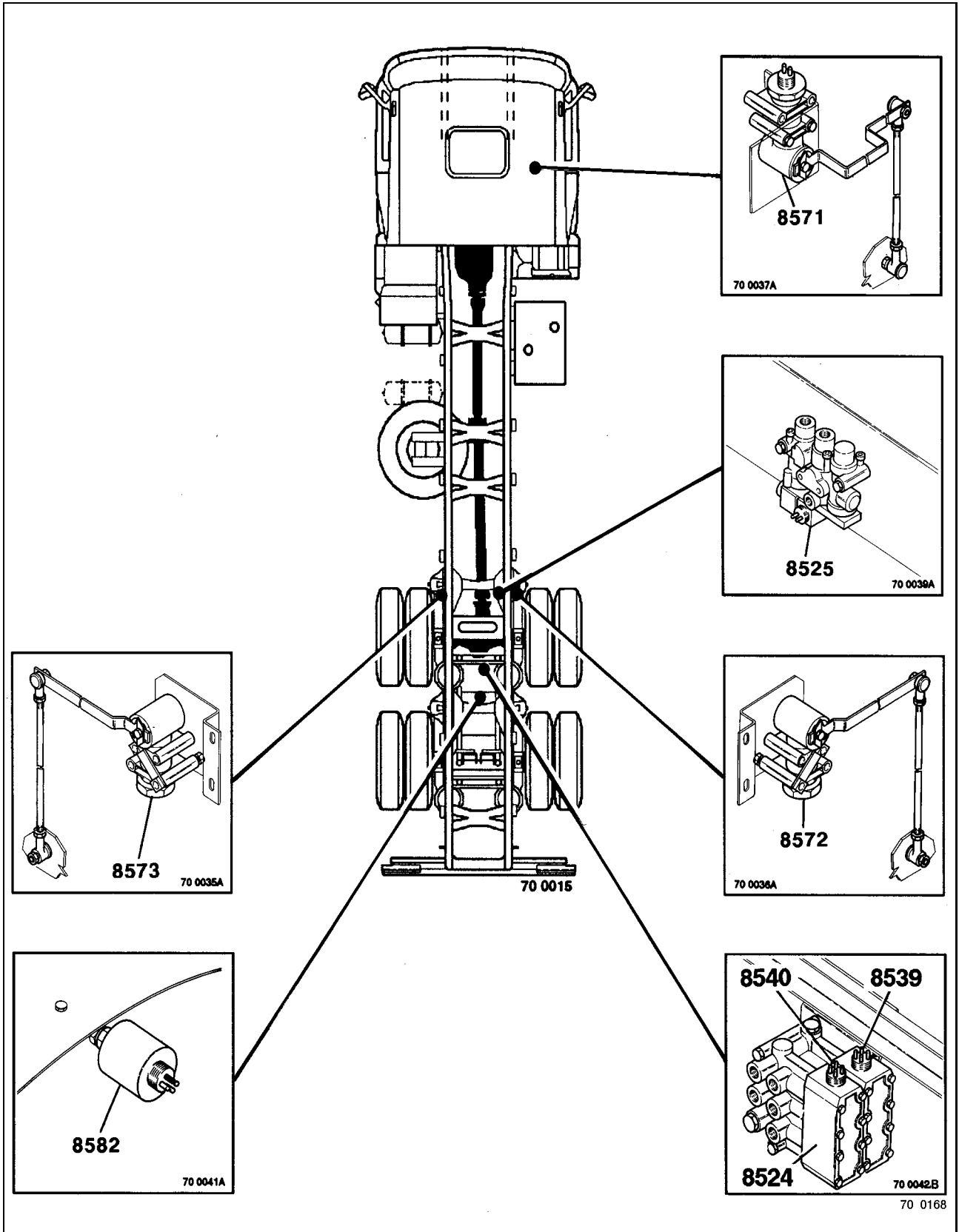




**Air suspension "4 X 2"****Layout of appliances on chassis****Key to appliances**

<b>Code N°</b>	<b>Name of function</b>	<b>Location</b>
<b>8524</b>	Rear suspension electrovalve block	150
<b>8525</b>	Front suspension electrovalve block	150
<b>8541</b>	Rear suspension main electrovalve	-
<b>8542</b>	Rear suspension electrovalve (RH side)	-
<b>8543</b>	Rear suspension electrovalve (LH side)	-
<b>8571</b>	Front suspension level sensor	150
<b>8572</b>	Suspension level RH rear sensor	150
<b>8573</b>	Suspension level LH rear sensor	150

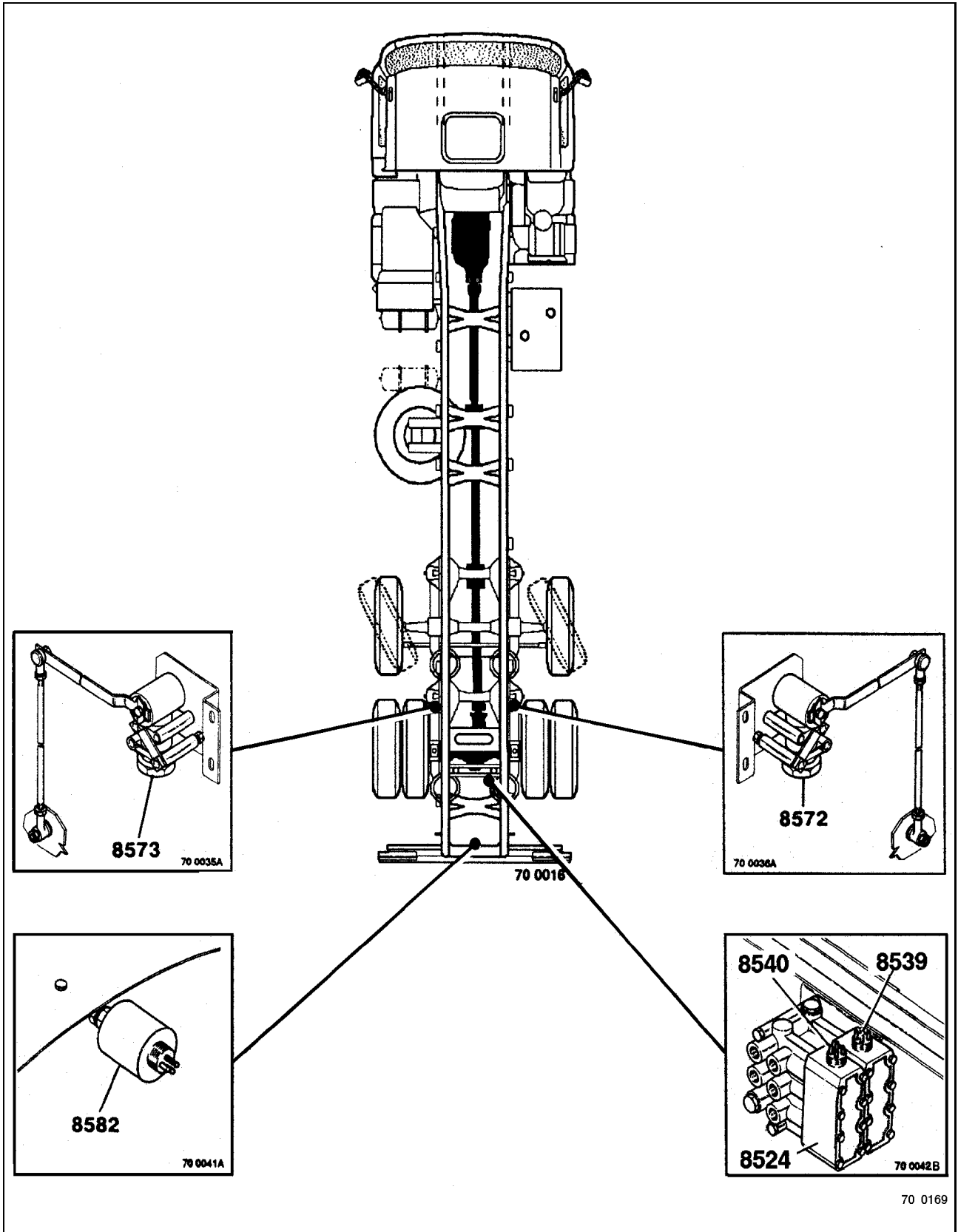
Air suspension "6 X 2"



**Air suspension "6 X 2"****Layout of appliances on chassis****Key to appliances**

<b>Code N°</b>	<b>Name of function</b>	<b>Location</b>
<b>8524</b>	Rear suspension electrovalve block	152
<b>8525</b>	Front suspension electrovalve block	152
<b>8539</b>	Rear suspension electrovalves block (drive axle)	152
<b>8540</b>	Rear suspension electrovalves block (axle)	152
<b>8571</b>	Front suspension level sensor	152
<b>8572</b>	Suspension level RH rear sensor	152
<b>8573</b>	Suspension level LH rear sensor	152
<b>8582</b>	Rear axle air springs pressure sensor	152

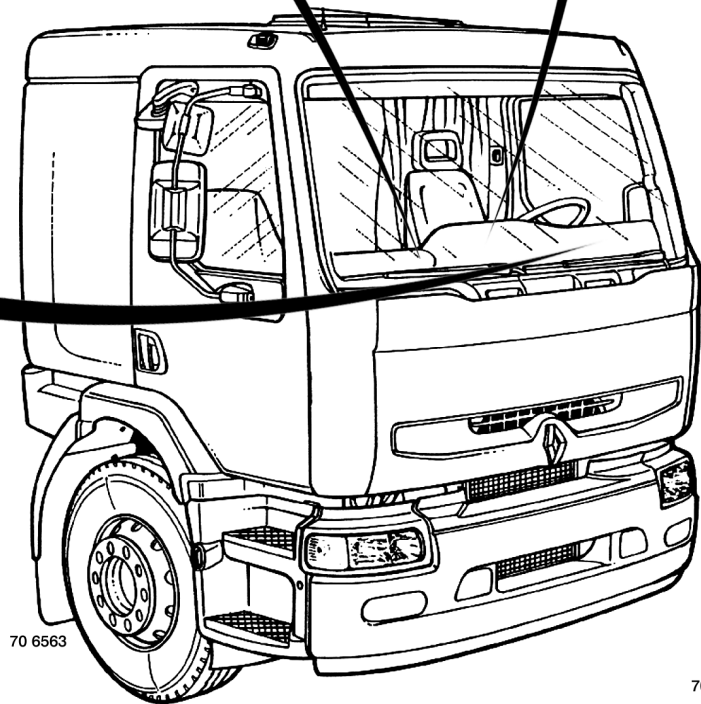
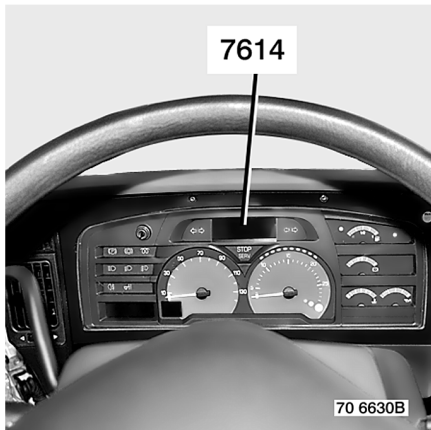
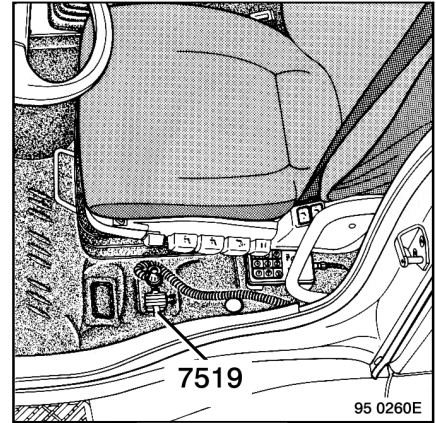
Air suspension "6 X 2/4"



**Air suspension "6 X 2/4"****Layout of appliances on chassis****Key to appliances**

<b>Code N°</b>	<b>Name of function</b>	<b>Location</b>
<b>8524</b>	Rear suspension electrovalve block	152
<b>8539</b>	Rear suspension electrovalves block (drive axle)	152
<b>8540</b>	Rear suspension electrovalves block (axle)	152
<b>8572</b>	Suspension level RH rear sensor	152
<b>8573</b>	Suspension level LH rear sensor	152
<b>8582</b>	Rear axle air springs pressure sensor	152

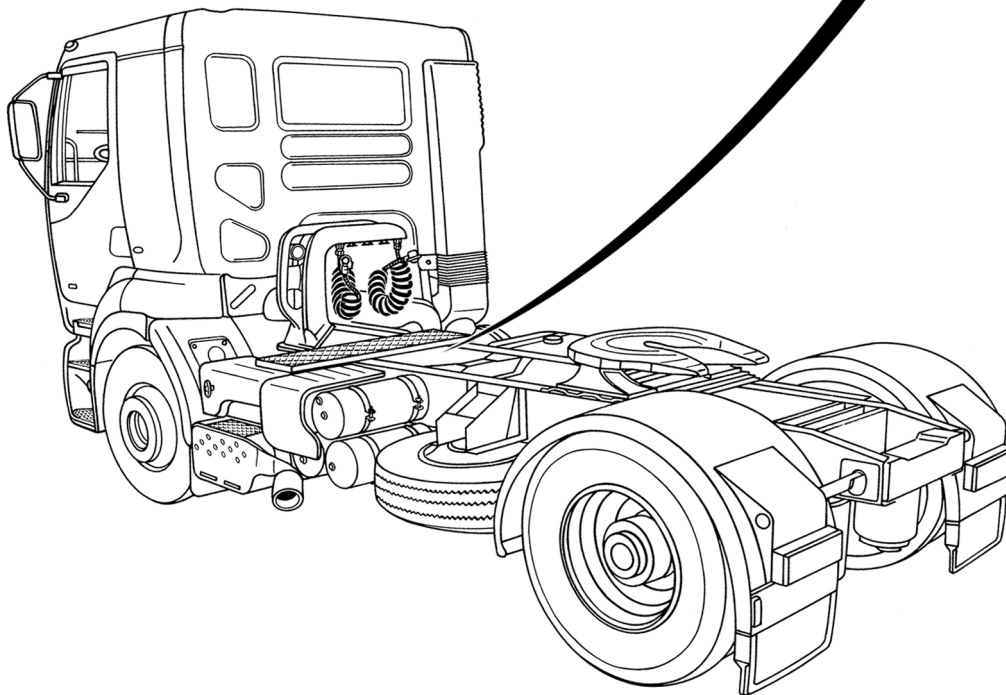
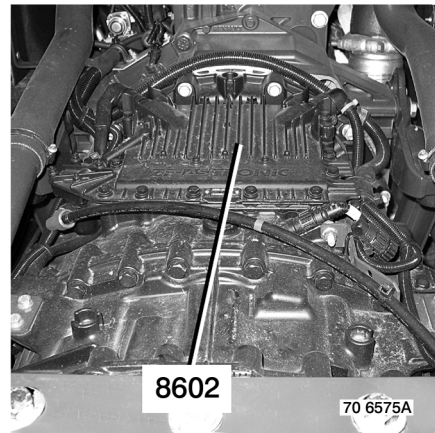
### Gearbox"ASTRONIC" (1/2)



**Gearbox"ASTRONIC" (1/2)****Layout of appliances in cab****Key to appliances**

<b>Code N°</b>	<b>Name of function</b>	<b>Location</b>
<b>7519</b>	Diagnostics socket	805
<b>7614</b>	Principal display	850 / 851
<b>8663</b>	Gear control lever or gearshift control box	120

**Gearbox "ASTRONIC" (2/2)**



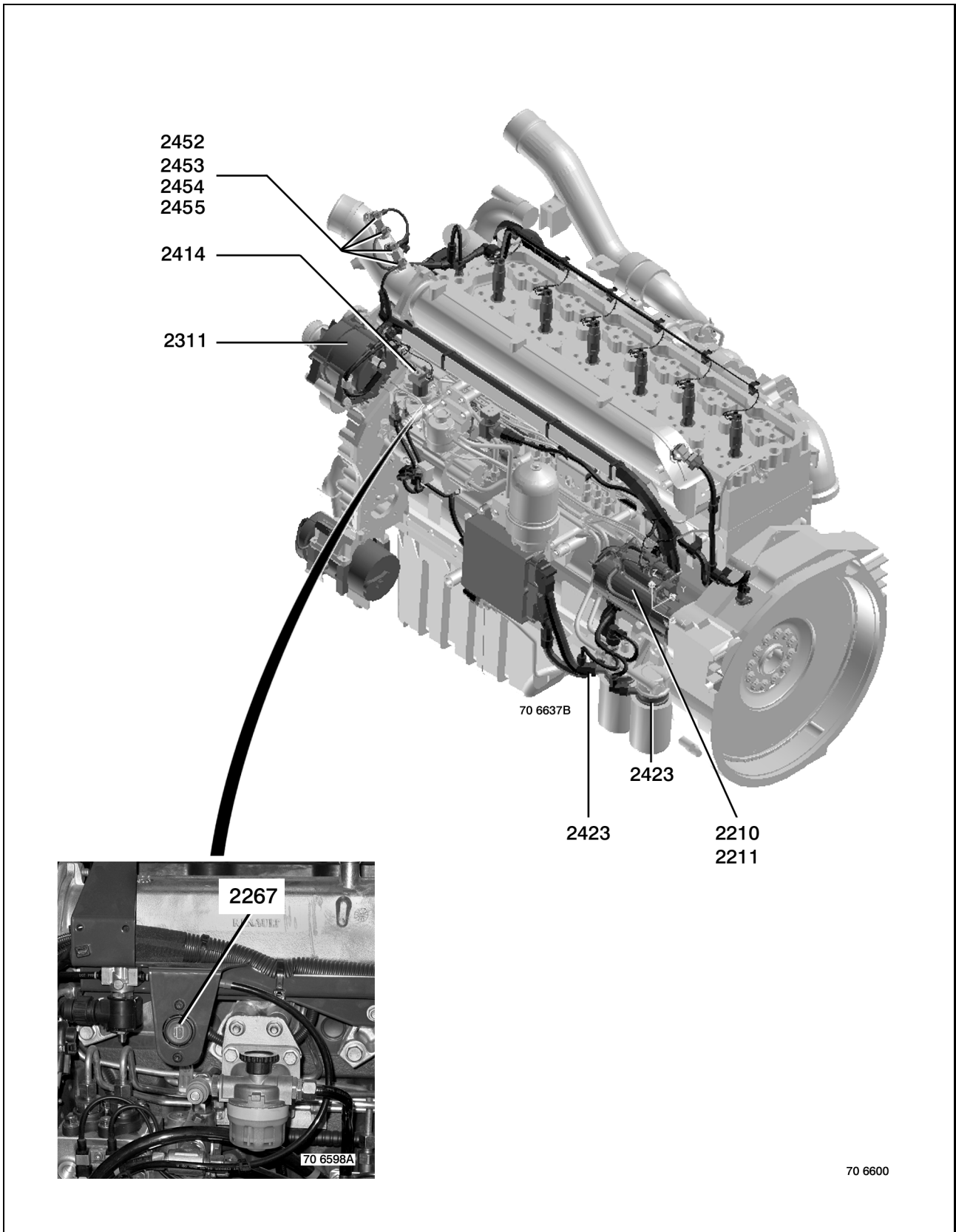
70 6692



**Gearbox "ASTRONIC" (2/2)****Layout of appliances on gearbox****Key to appliances**

<b>Code N°</b>	<b>Name of function</b>	<b>Location</b>
8602	Automatic gearbox ECU	122

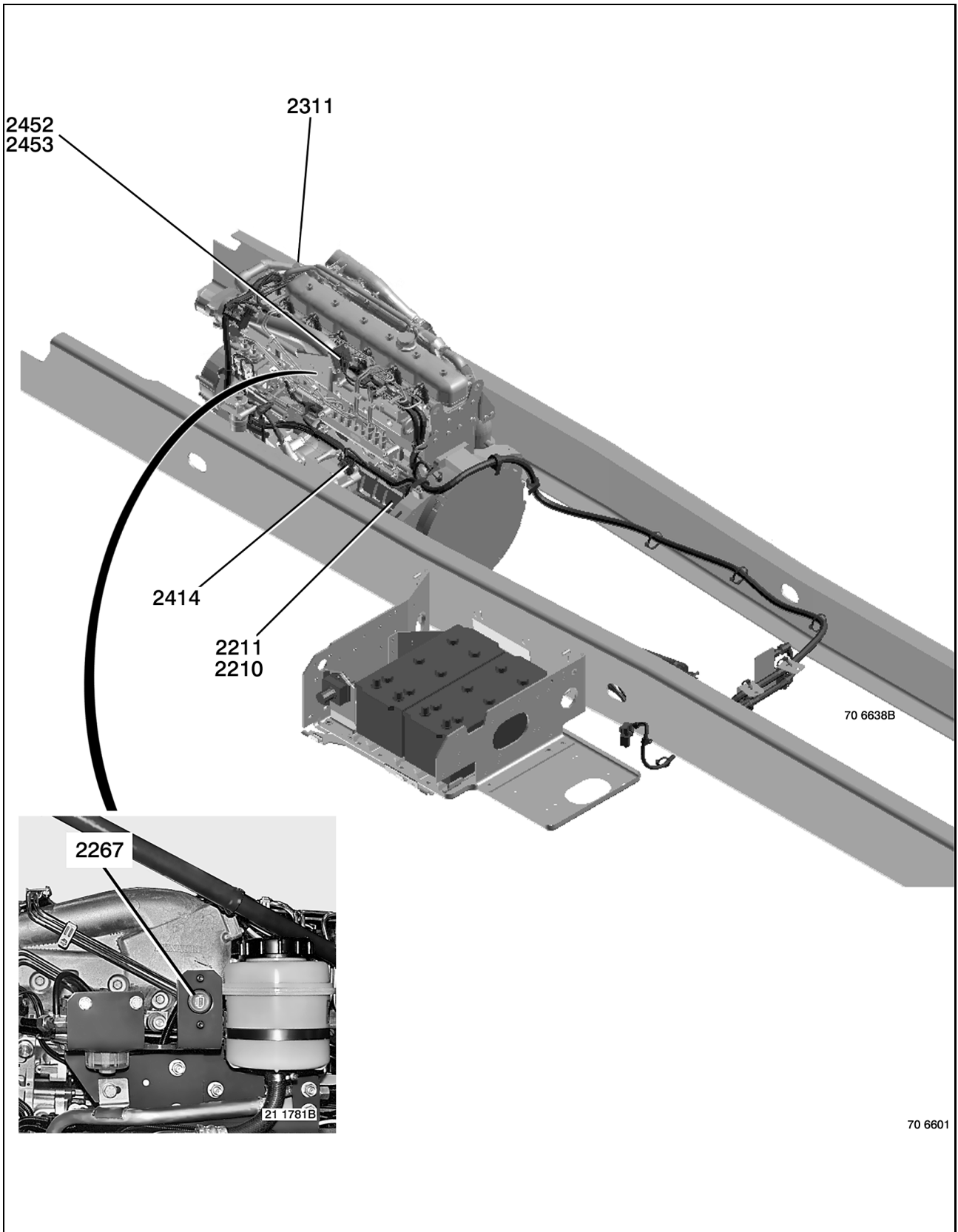
### Equipment on engine "dCi11"



**Equipment on engine "dCi11"****Layout of appliances on engine****Key to appliances**

<b>Code N°</b>	<b>Name of function</b>	<b>Location</b>
<b>2210</b>	Starter with integrated relay	020
<b>2211</b>	Starter	020
<b>2267</b>	Engine compartment engine stop control	610
<b>2311</b>	Alternator	010
<b>2414</b>	Preheating relay N°1	025
<b>2423</b>	Fuel preheater resistor N°2	025
<b>2452</b>	Preheating resistor N°1	025
<b>2453</b>	Preheating resistor N°2	025
<b>2454</b>	Preheating resistor N°3	025
<b>2455</b>	Preheating resistor N°4	025

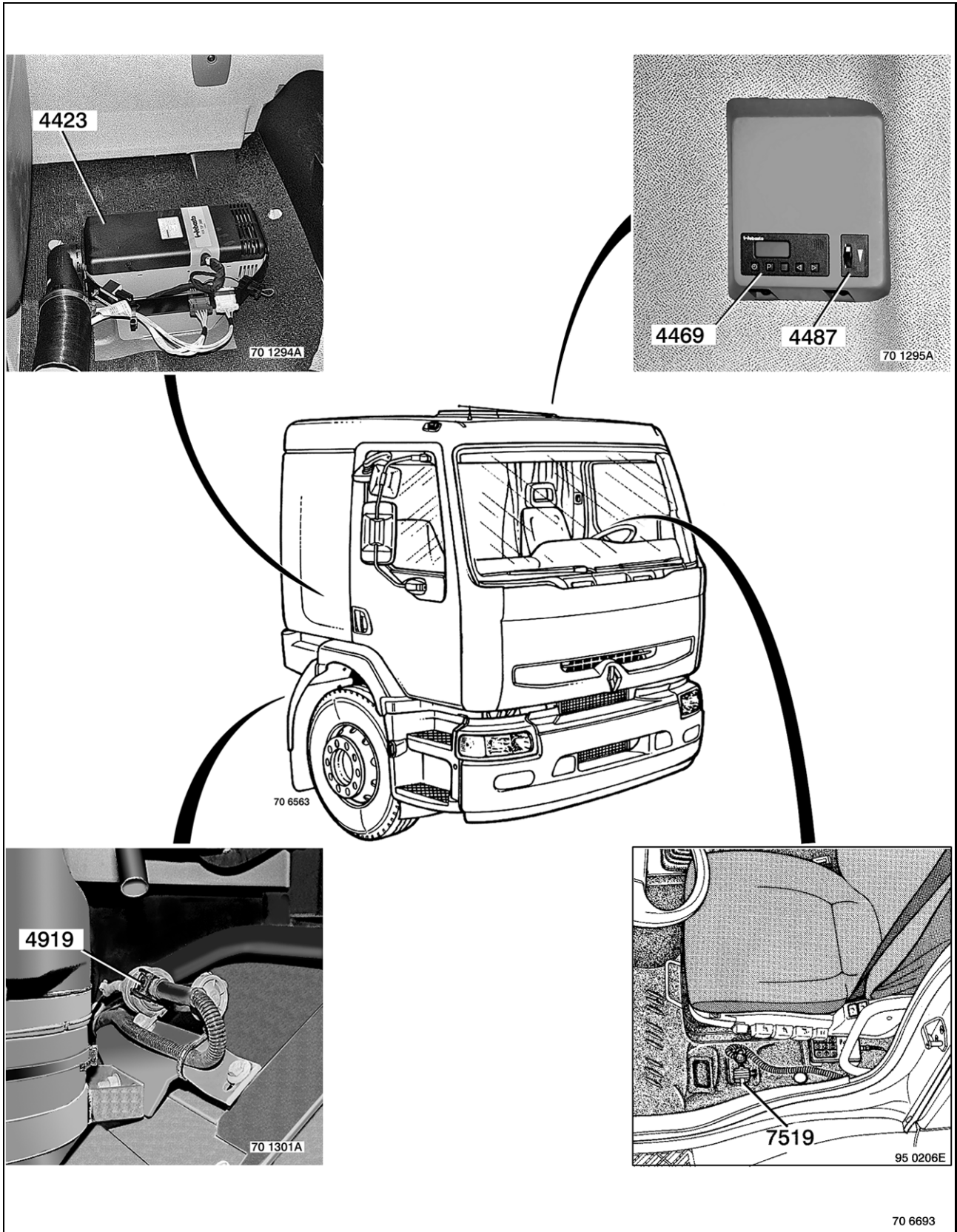
### Equipment on engine "dCi6"



**Equipment on engine "dCi6"****Layout of appliances on engine****Key to appliances**

<b>Code N°</b>	<b>Name of function</b>	<b>Location</b>
<b>2210</b>	Starter with integrated relay	020
<b>2211</b>	Starter	020
<b>2267</b>	Engine compartment engine stop control	610
<b>2311</b>	Alternator	010
<b>2414</b>	Preheating relay N°1	025
<b>2452</b>	Preheating resistor N°1	025
<b>2453</b>	Preheating resistor N°2	025

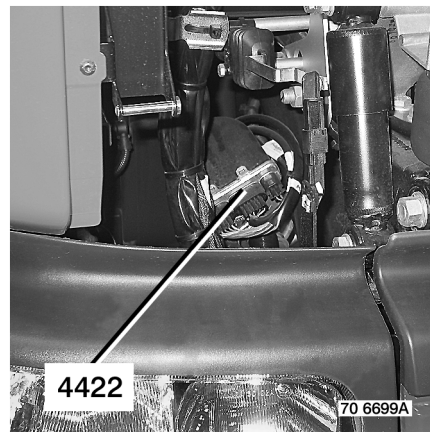
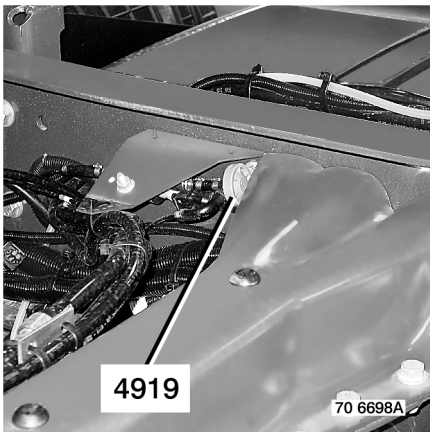
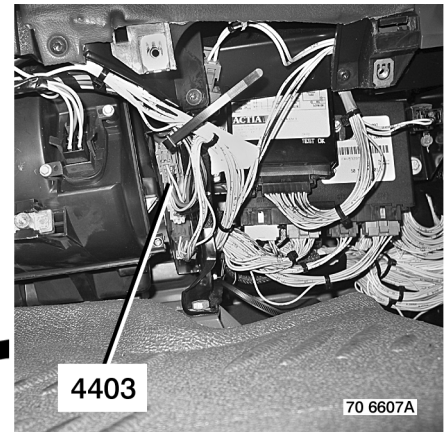
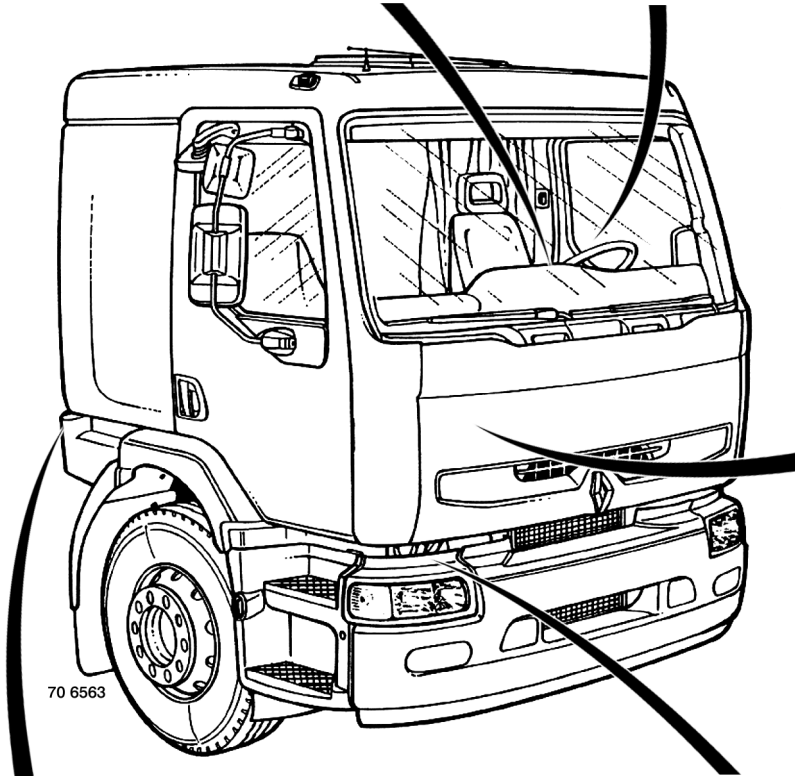
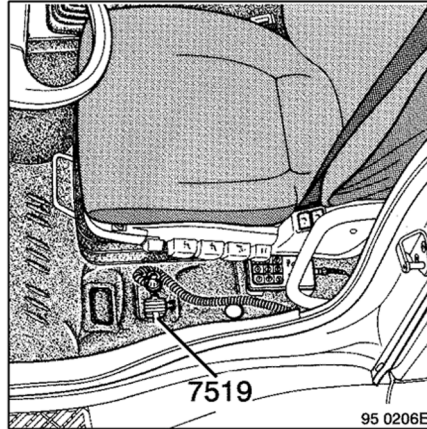
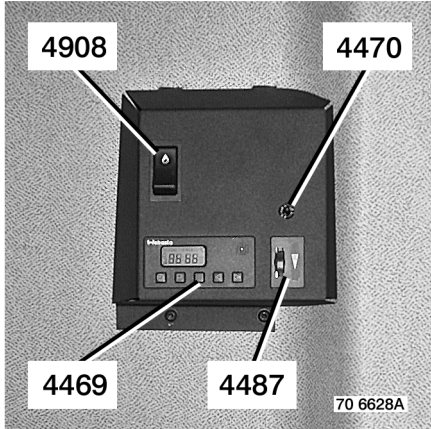
### Independent (add-on) heating "AT2000"



**Independent (add-on) heating "AT2000"****Key to appliances**

<b>Code N°</b>	<b>Name of function</b>	<b>Location</b>
4423	Air/air independent heater	090
4469	Independent heater timer control	090
4487	Temperature variator	090
4919	Fuel feed pump	090
7519	Diagnostics socket	805

### Independent (add-on) heating "Thermo 90S"



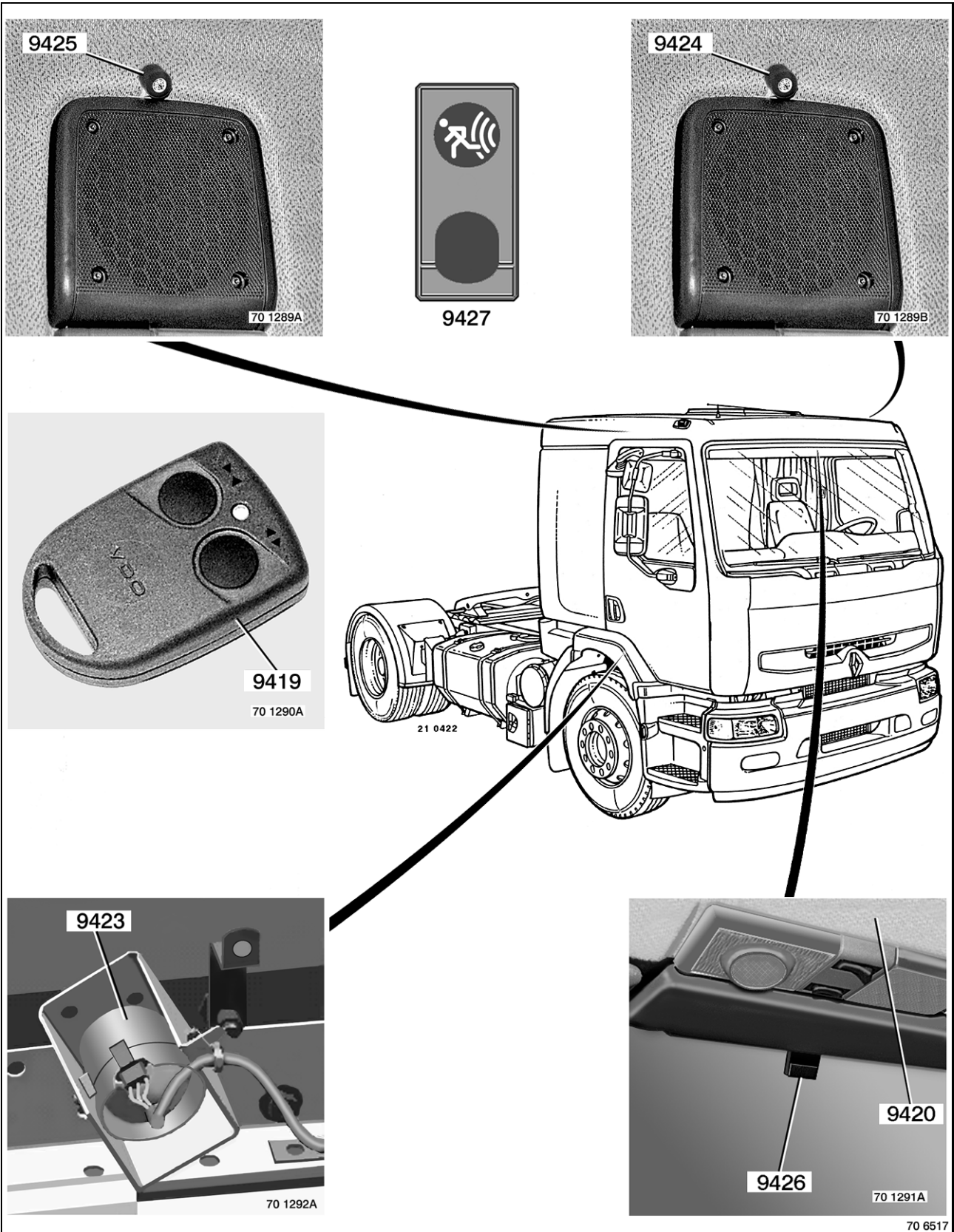
70 6694



**Independent (add-on) heating "Thermo 90S"****Key to appliances**

<b>Code N°</b>	<b>Name of function</b>	<b>Location</b>
<b>4403</b>	Ventilation control box	091
<b>4422</b>	Air/water independent heater	091
<b>4469</b>	Independent heater timer control	091
<b>4470</b>	Interior temperature sensor	091
<b>4487</b>	Temperature variator	091
<b>4908</b>	Independent heating operating control	091
<b>4919</b>	Fuel feed pump	091
<b>7519</b>	Diagnostics socket	805

# Alarm



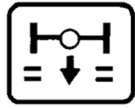
**Alarm****Key to appliances**

<b>Code N°</b>	<b>Name of function</b>	<b>Location</b>
9419	Doors locking remote control and alarm activating transmitter	-
9420	Anti-theft alarm ECU	702
9423	Anti-theft alarm buzzer	702
9424	Ultrasonic transmitter	702
9425	Ultrasonic receiver	702
9426	Truck combination monitoring module	702
9427	Anti-aggression control	702

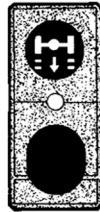
"ABS" "4 X 2 - 6 X 2 - 6 X 2/4" equipment



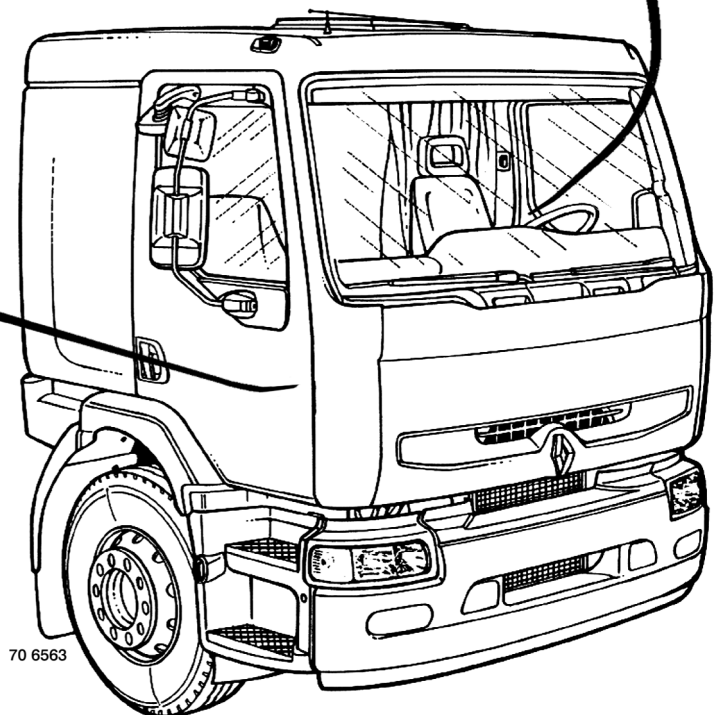
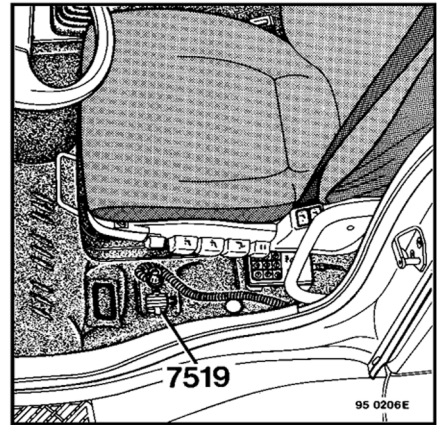
8011



8020



8060



70 6563

70 6541

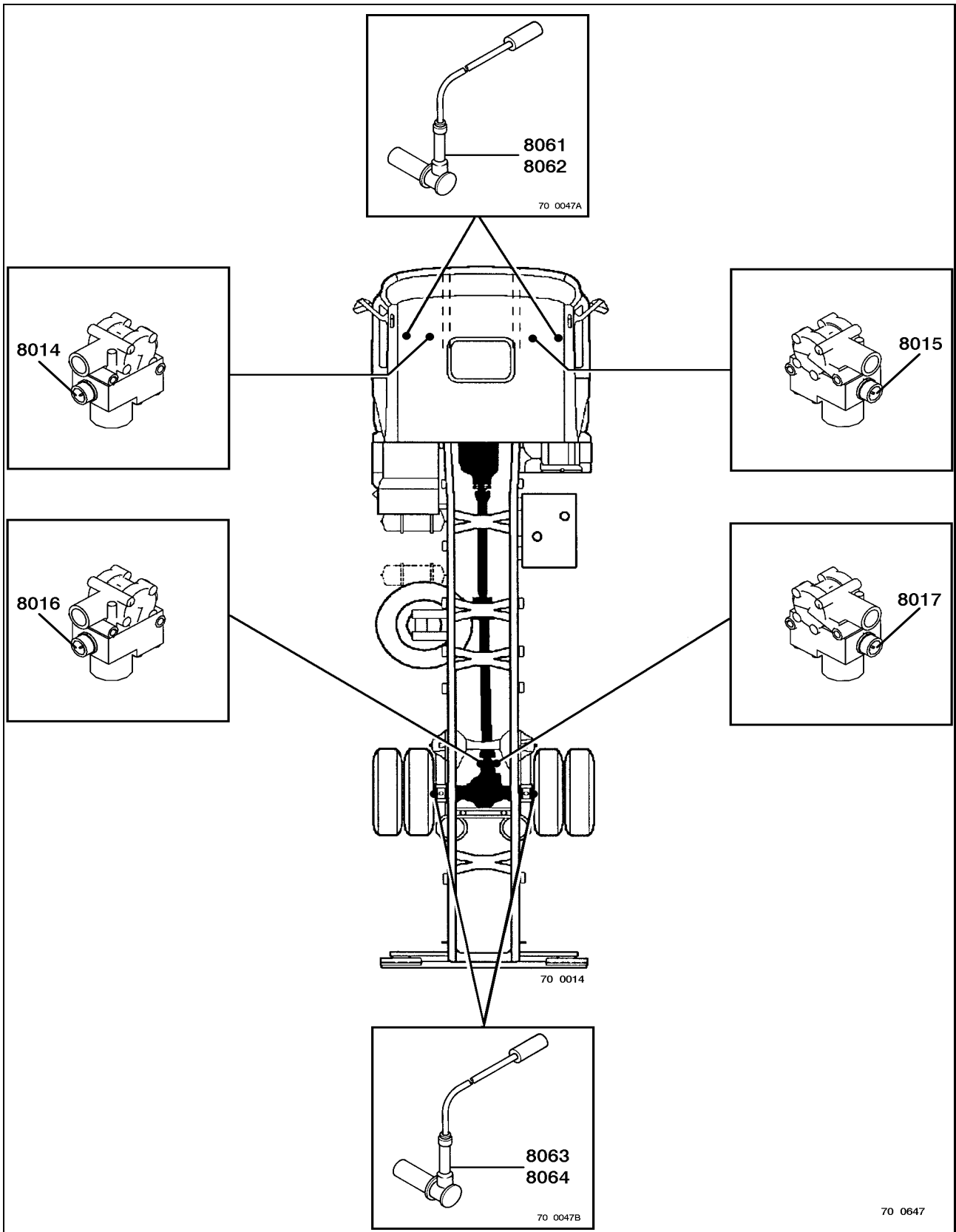
"ABS" "4 X 2 - 6 X 2 - 6 X 2/4" equipment

Layout of appliances in cab

Key to appliances

Code N°	Name of function	Location
7519	Diagnostics socket	805
8000	"ABS" ECU	100
8011	ABS safety warning lamp	100
8020	ASR in operation warning lamp	-
8060	"ASR" control	100

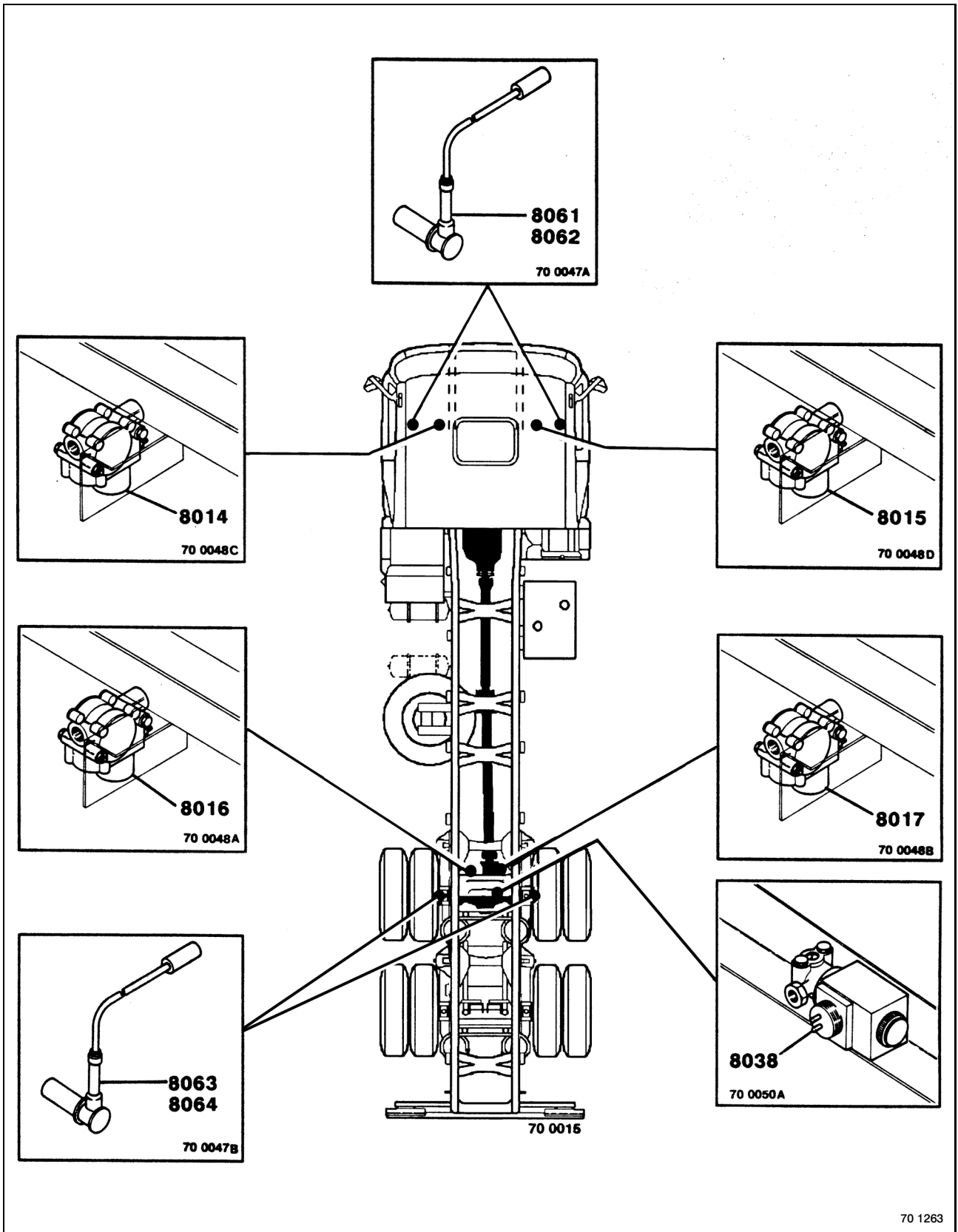
"ABS" "4 X 2" equipment



**"ABS" "4 X 2" equipment****Layout of appliances on chassis****Key to appliances**

<b>Code N°</b>	<b>Name of function</b>	<b>Location</b>
<b>8014</b>	ABS LH front roadwheel electrovalve	100
<b>8015</b>	ABS RH front roadwheel electrovalve	100
<b>8016</b>	ABS LH rear roadwheel electrovalve	100
<b>8017</b>	ABS RH rear roadwheel electrovalve	100
<b>8061</b>	ABS LH front roadwheel sensor	100
<b>8062</b>	ABS RH front roadwheel sensor	100
<b>8063</b>	ABS LH rear roadwheel sensor	100
<b>8064</b>	ABS RH rear roadwheel sensor	100

"ABS" "6 X 2"equipment

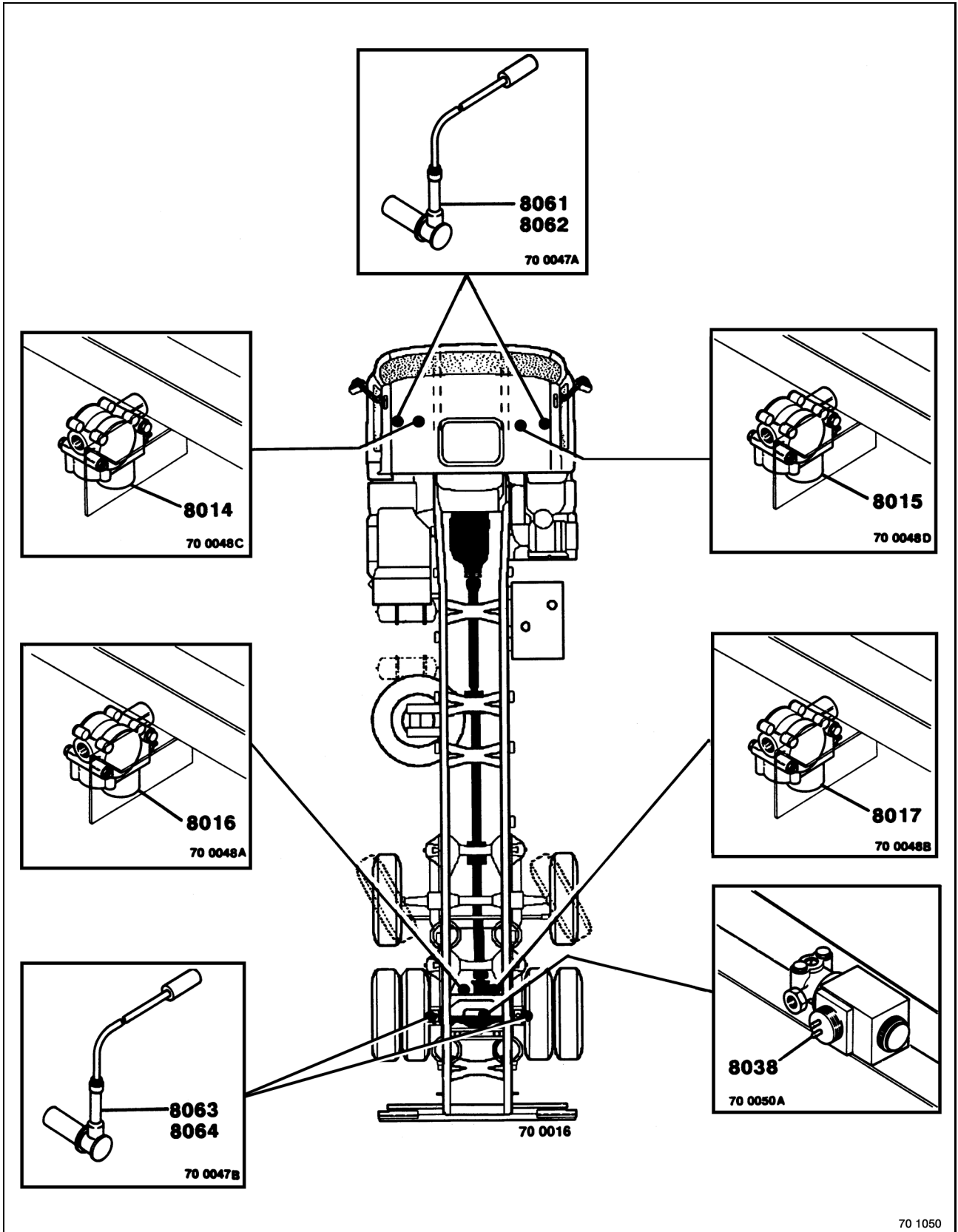




**"ABS" "6 X 2"equipment****Layout of appliances on chassis****Key to appliances**

<b>Code N°</b>	<b>Name of function</b>	<b>Location</b>
<b>8014</b>	ABS LH front roadwheel electrovalve	100
<b>8015</b>	ABS RH front roadwheel electrovalve	100
<b>8016</b>	ABS LH rear roadwheel electrovalve	100
<b>8017</b>	ABS RH rear roadwheel electrovalve	100
<b>8038</b>	ASR LH relay	100
<b>8061</b>	ABS LH front roadwheel sensor	100
<b>8062</b>	ABS RH front roadwheel sensor	100
<b>8063</b>	ABS LH rear roadwheel sensor	100
<b>8064</b>	ABS RH rear roadwheel sensor	100

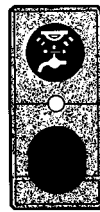
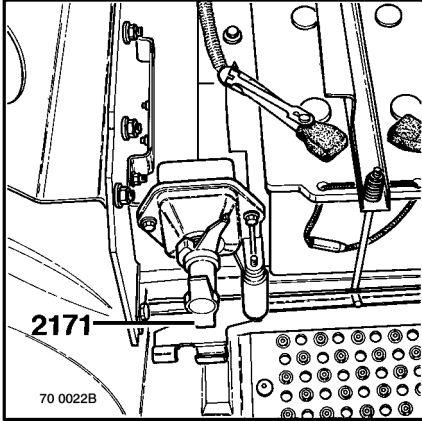
"ABS" "6 X 2/4" equipment



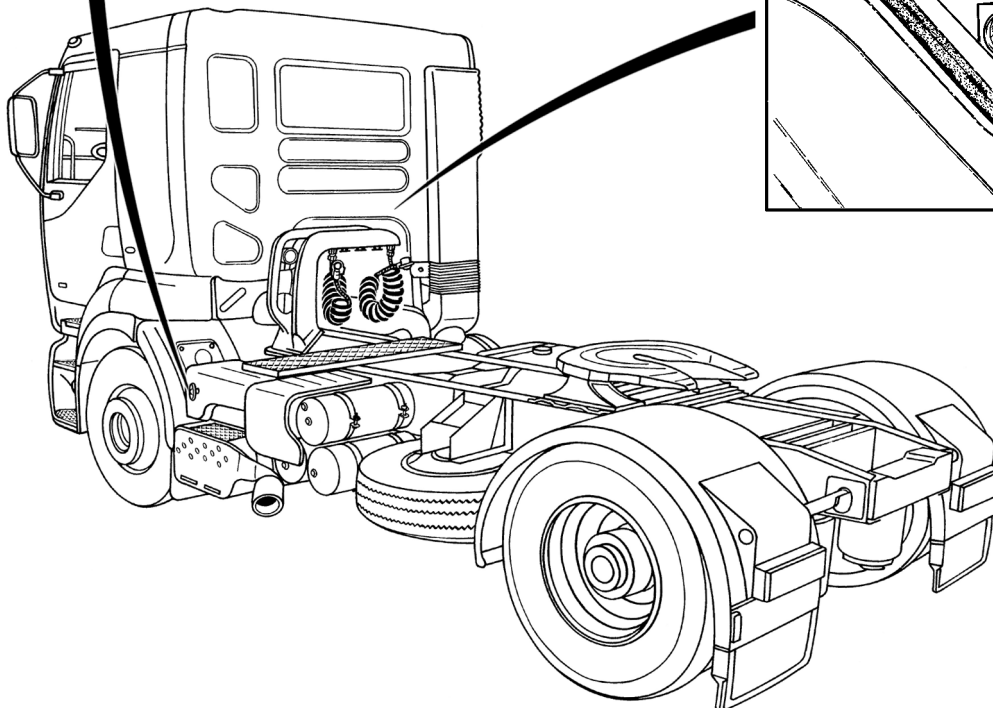
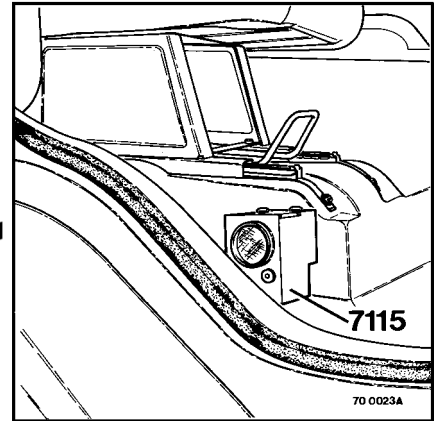
**"ABS" "6 X 2/4" equipment****Layout of appliances on chassis****Key to appliances**

<b>Code N°</b>	<b>Name of function</b>	<b>Location</b>
<b>8014</b>	ABS LH front roadwheel electrovalve	100
<b>8015</b>	ABS RH front roadwheel electrovalve	100
<b>8016</b>	ABS LH rear roadwheel electrovalve	100
<b>8017</b>	ABS RH rear roadwheel electrovalve	100
<b>8038</b>	ASR LH relay	100
<b>8061</b>	ABS LH front roadwheel sensor	100
<b>8062</b>	ABS RH front roadwheel sensor	100
<b>8063</b>	ABS LH rear roadwheel sensor	100
<b>8064</b>	ABS RH rear roadwheel sensor	100

"ADR" equipment



5561

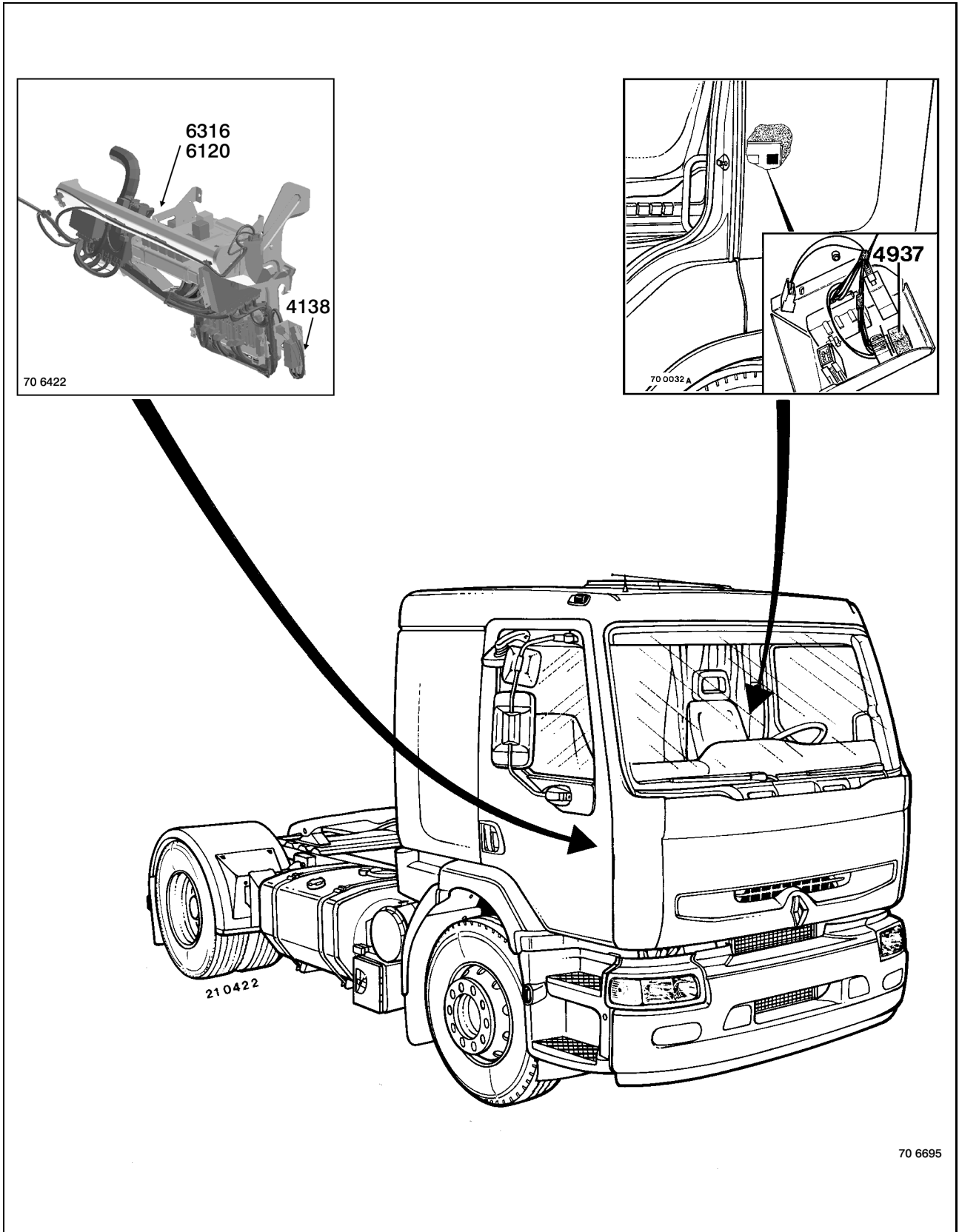


70 6697

**"ADR" equipment****Key to appliances**

<b>Code N°</b>	<b>Name of function</b>	<b>Location</b>
2171	Pneumatic master switch	010
5561	Valves lighting control	901
7115	Hourmeter	010

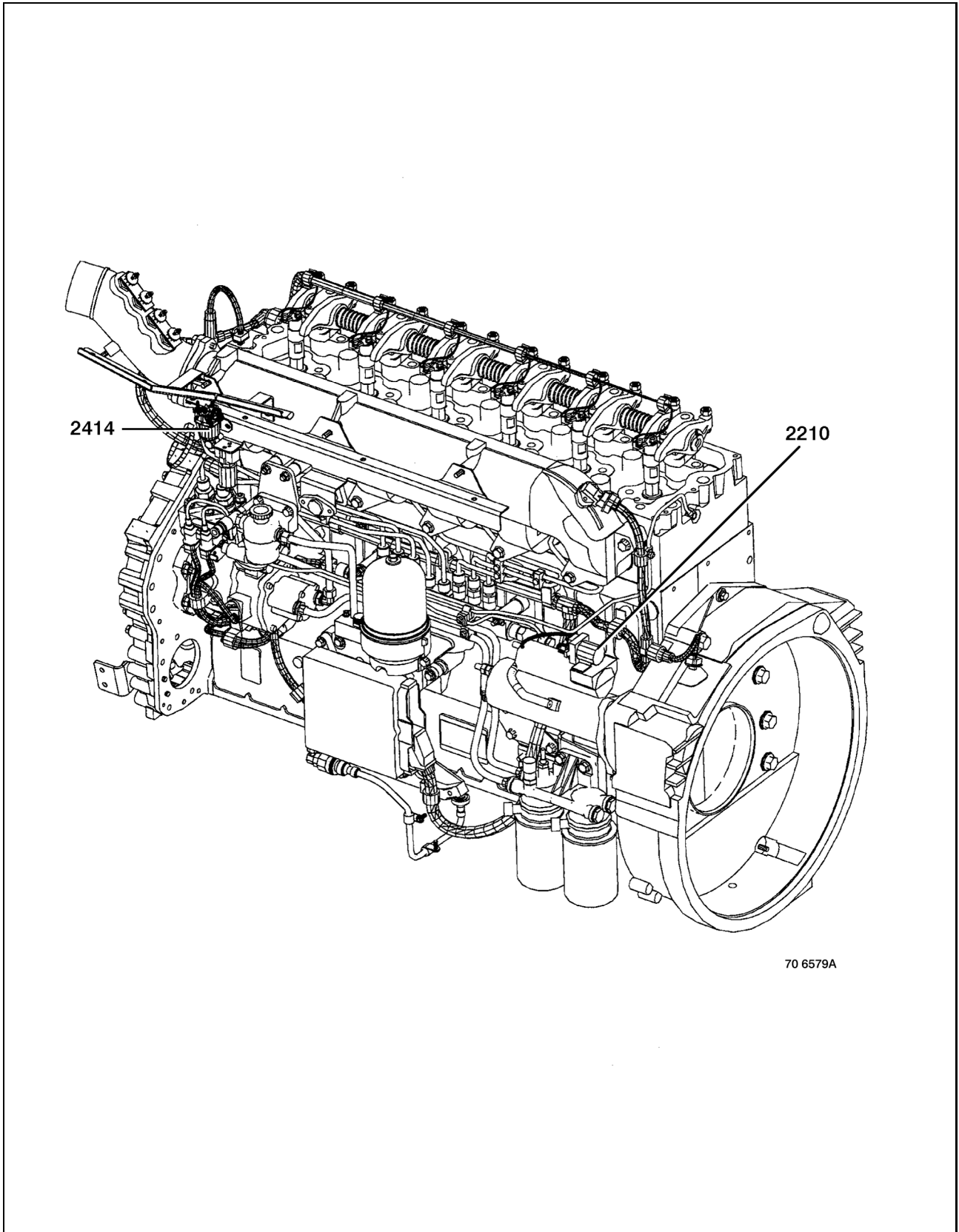
### Relay outside distribution box (1/2)



**Relay outside distribution box (1/2)****Layout of appliances in cab****Key to appliances**

<b>Code N°</b>	<b>Name of function</b>	<b>Location</b>
<b>4138</b>	Windscreen defrosting resistor power supply time-delay relay	074
<b>4937</b>	Independent heater relay	091
<b>6120</b>	Daytime lights relay	037
<b>6316</b>	Reversing lights power supply relay	048

Relay outside distribution box (2/2)



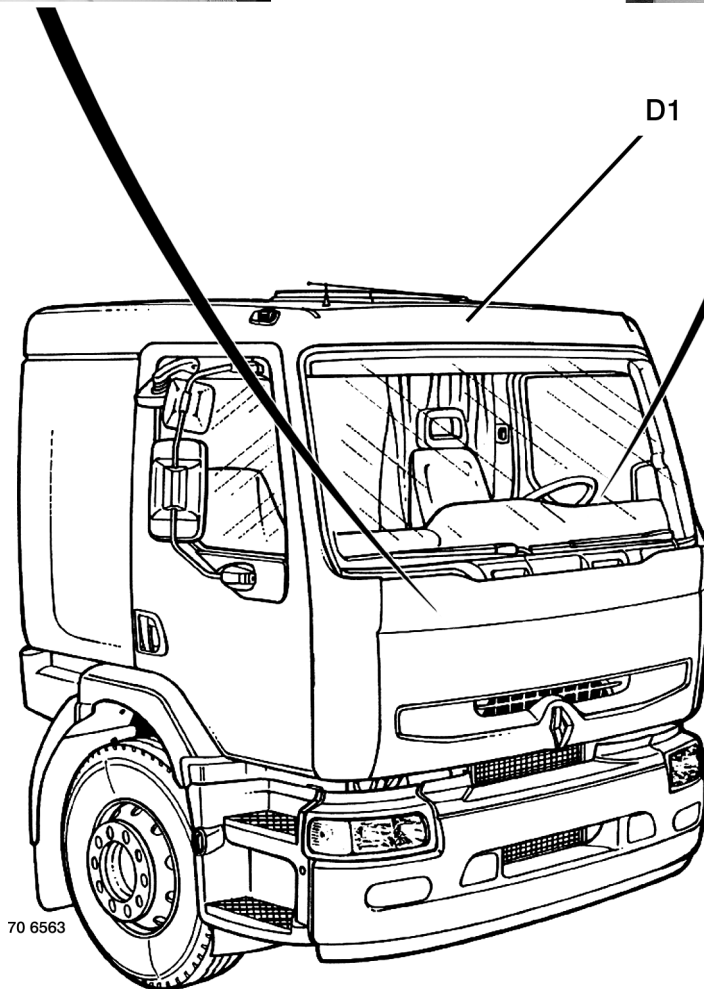
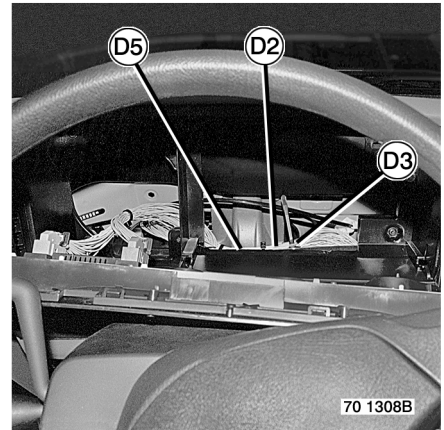
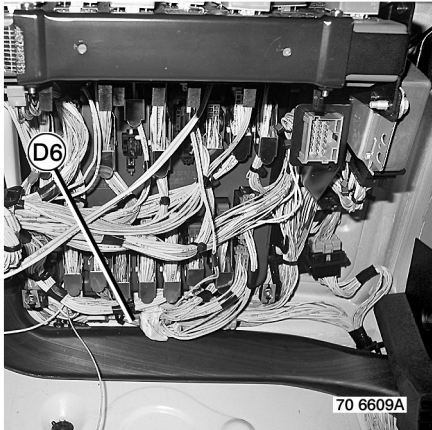
70 6579A



**Relay outside distribution box (2/2)****Layout of appliances on engine****Key to appliances**

<b>Code N°</b>	<b>Name of function</b>	<b>Location</b>
2210	Starter with integrated relay	020
2414	Preheating relay N°1	025

Diode(s) outside distribution box



70 6608

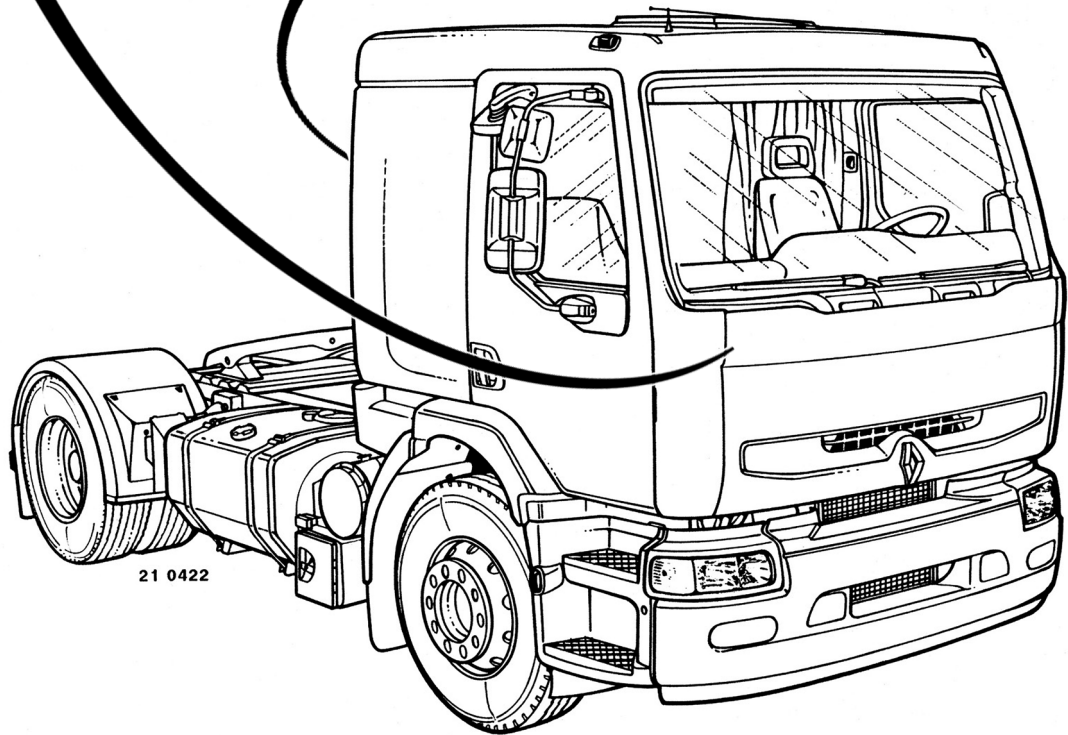
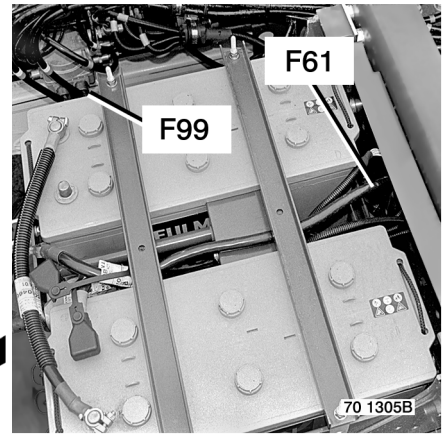
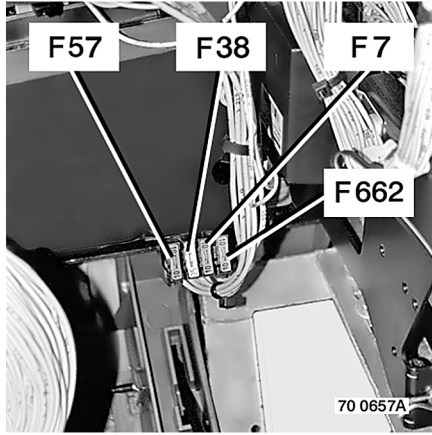
Diode(s) outside distribution box

Layout of appliances in cab

Key to appliances

Code	Name of function	Diode item N°	Diagram page N°
0112	Diode(s)	D1	059
0112	Diode(s)	D2	012
0112	Diode(s)	D3	012
0112	Diode(s)	D5	069
0112	Diode(s)	D6	069

### Fuse(s) outside distribution box



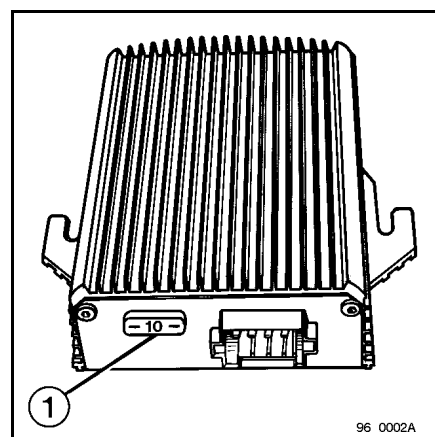
70 6696

**Fuse(s) outside distribution box****Key to appliances**

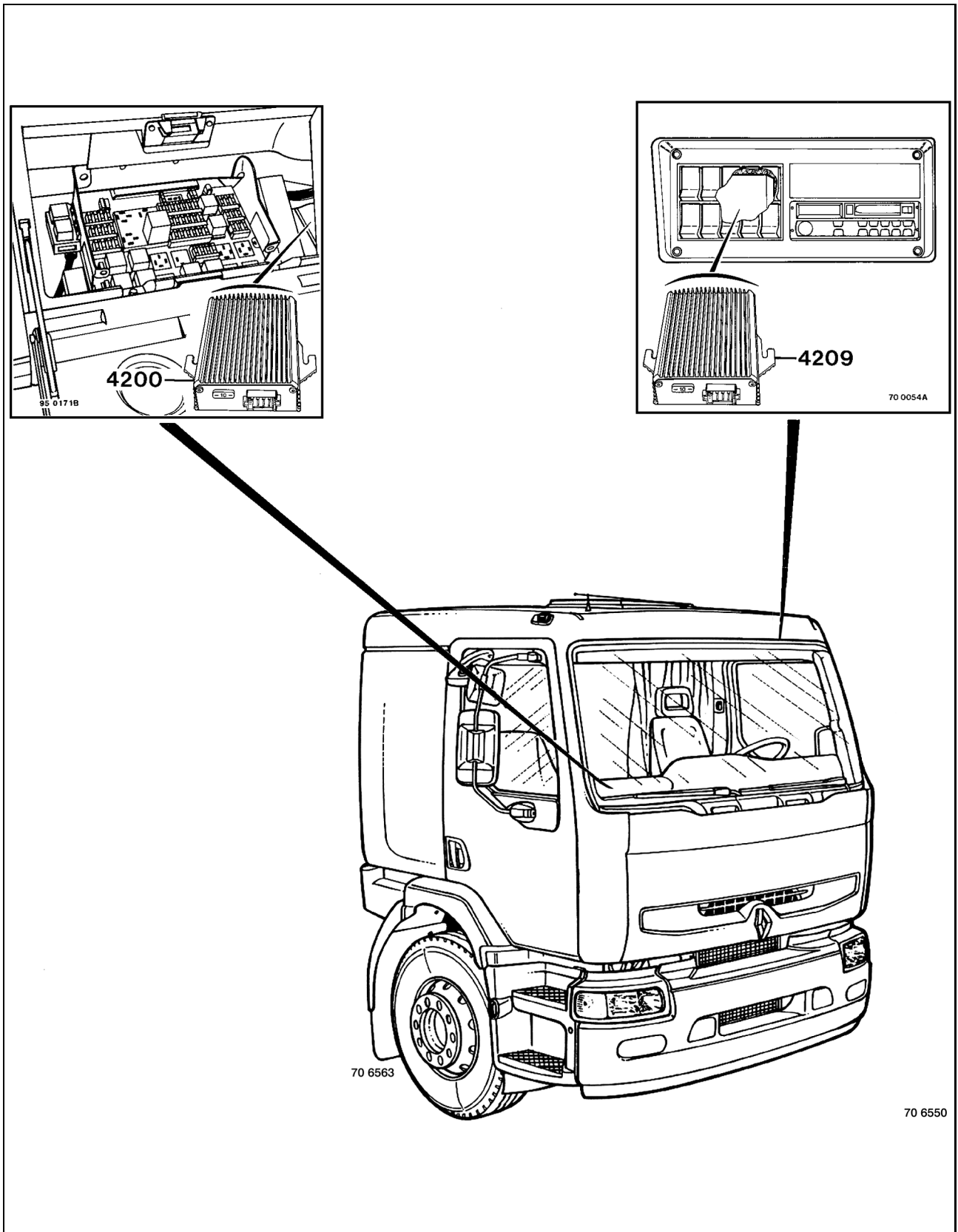
Code N°	Name of function	Fuse item N°	Amperage	Diagram page N°
8228	Declutching fan	F07	10	610
9202	Engine master ECU (EECU)	F07	10	610
9202	Engine master ECU (EECU)	F38	25	610
7114	Electronic tachograph	F57	10	604
9201	Vehicle master ECU (VECU)	F57	10	604
4137	Windscreen defrosting resistor	F61	50	074
7114	Electronic tachograph	F99	05	010
8003	Hydraulic retarder ECU	F662	05	204

**Voltage dropper**

A fuse (1) protects the appliance against polarity reversal at the batteries.



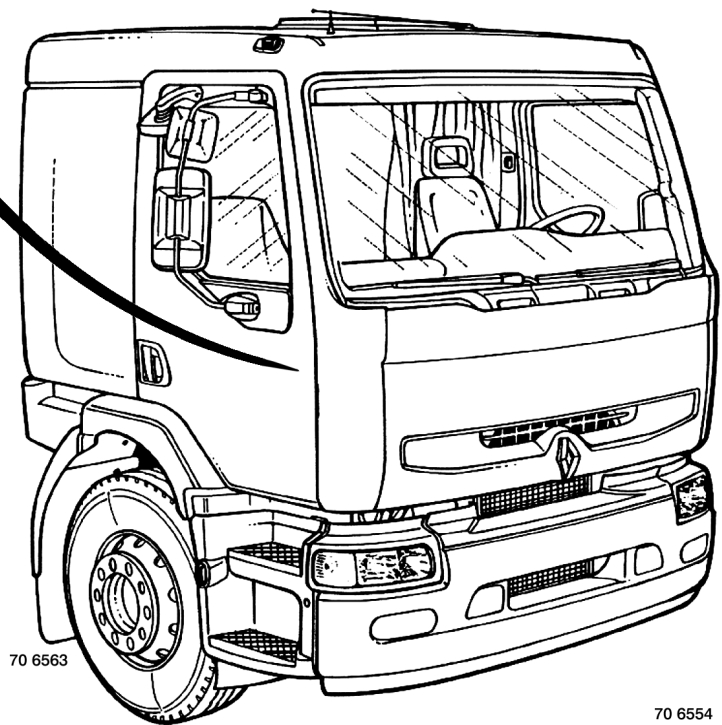
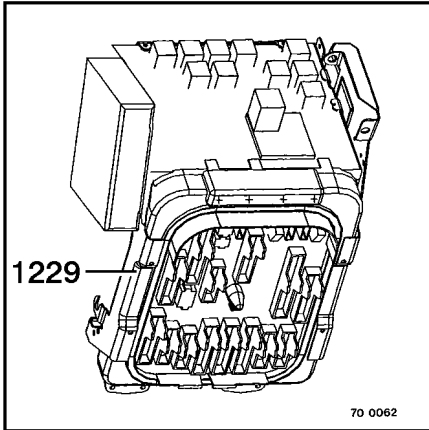
### Voltage dropper



**Voltage dropper****Layout of appliances in cab****Key to appliances**

<b>Code N°</b>	<b>Name of function</b>	<b>Location</b>
4200	Voltage dropper (12 Volt socket)	074
4209	Voltage dropper (24V / 12V) - telecommunications	075

### Distribution box





Distribution box

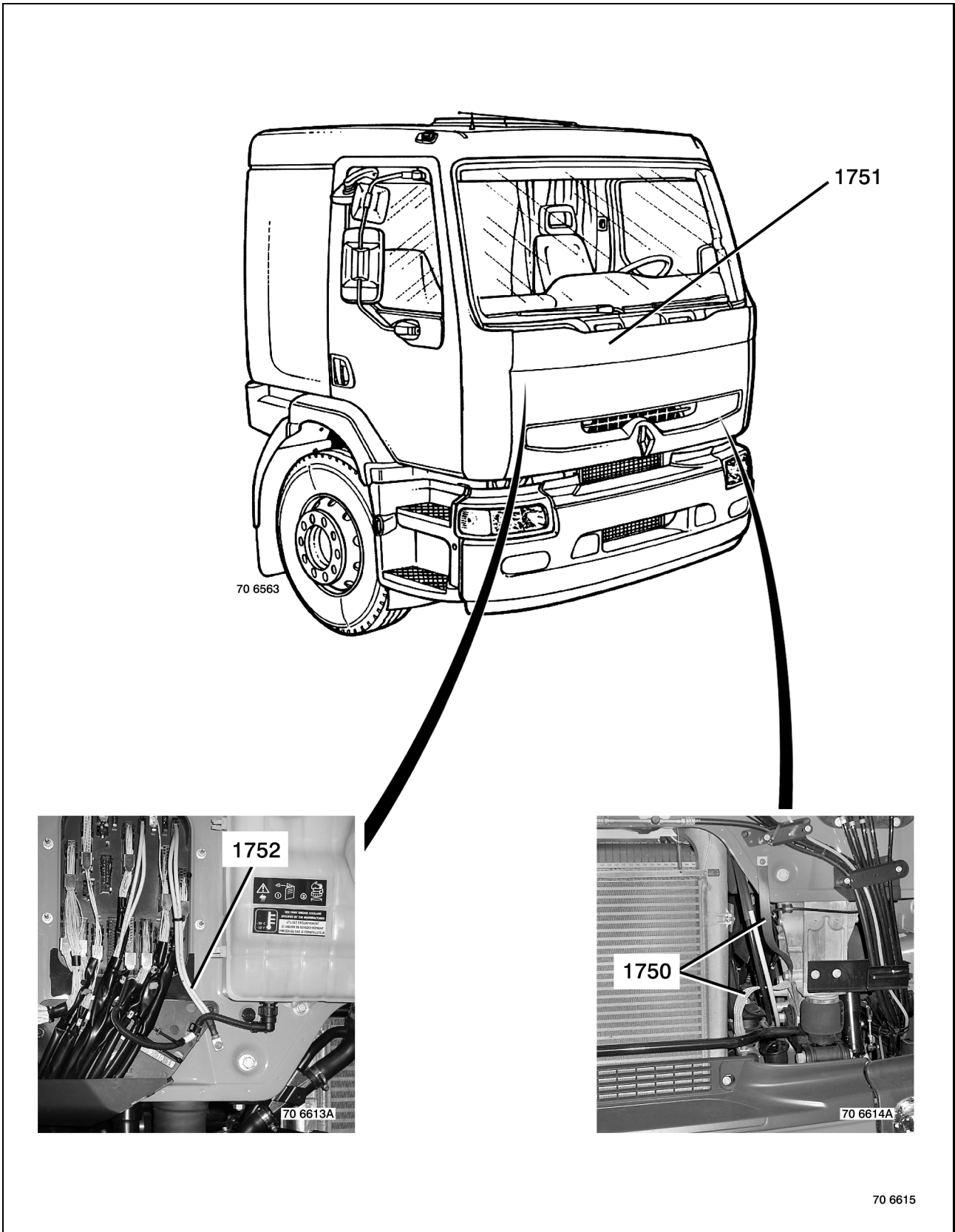
Layout of appliances in cab

Key to appliances

Code N°	Name of function	Location
1229	Chassis-cab connection unit	-

### Earths (1/4)

Layout for a vehicle with engine dCi11

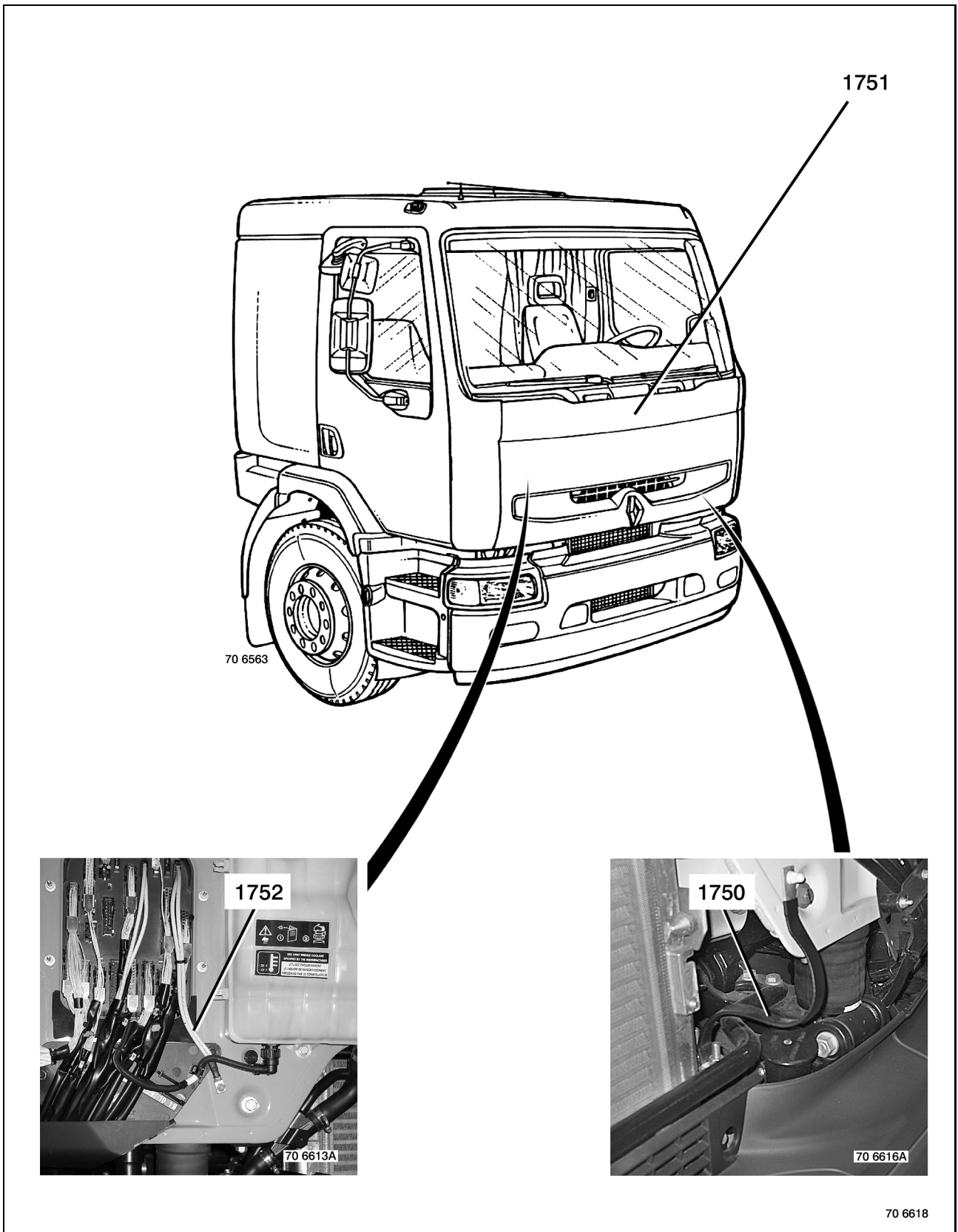


**Earths****Layout for a vehicle with engine dCi11****Key to appliances**

<b>Code N°</b>	<b>Name of function</b>	<b>Location</b>
<b>1750</b>	Cab - chassis and cab link earth	-
<b>1751</b>	Cab - windscreen link earth	-
<b>1752</b>	Cab earth	-

### Earths (2/4)

Layout for a vehicle with engine dCi6

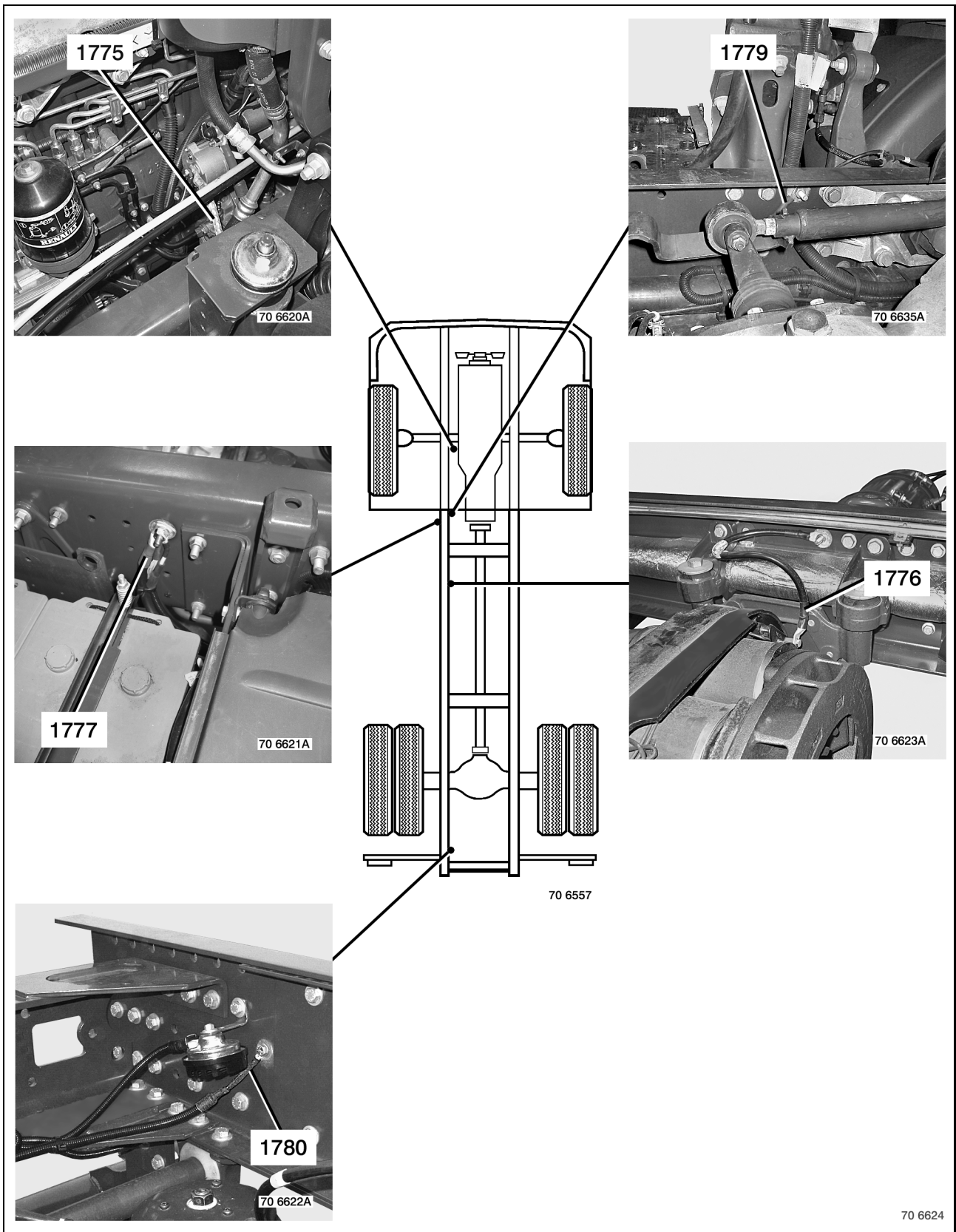


**Earths (2/4)****Layout for a vehicle with engine dCi6****Key to appliances**

<b>Code N°</b>	<b>Name of function</b>	<b>Location</b>
1750	Cab - chassis and cab link earth	-
1751	Cab - windscreen link earth	-
1752	Cab earth	-

### Earths (3/4)

Layout for a vehicle with engine dCi11

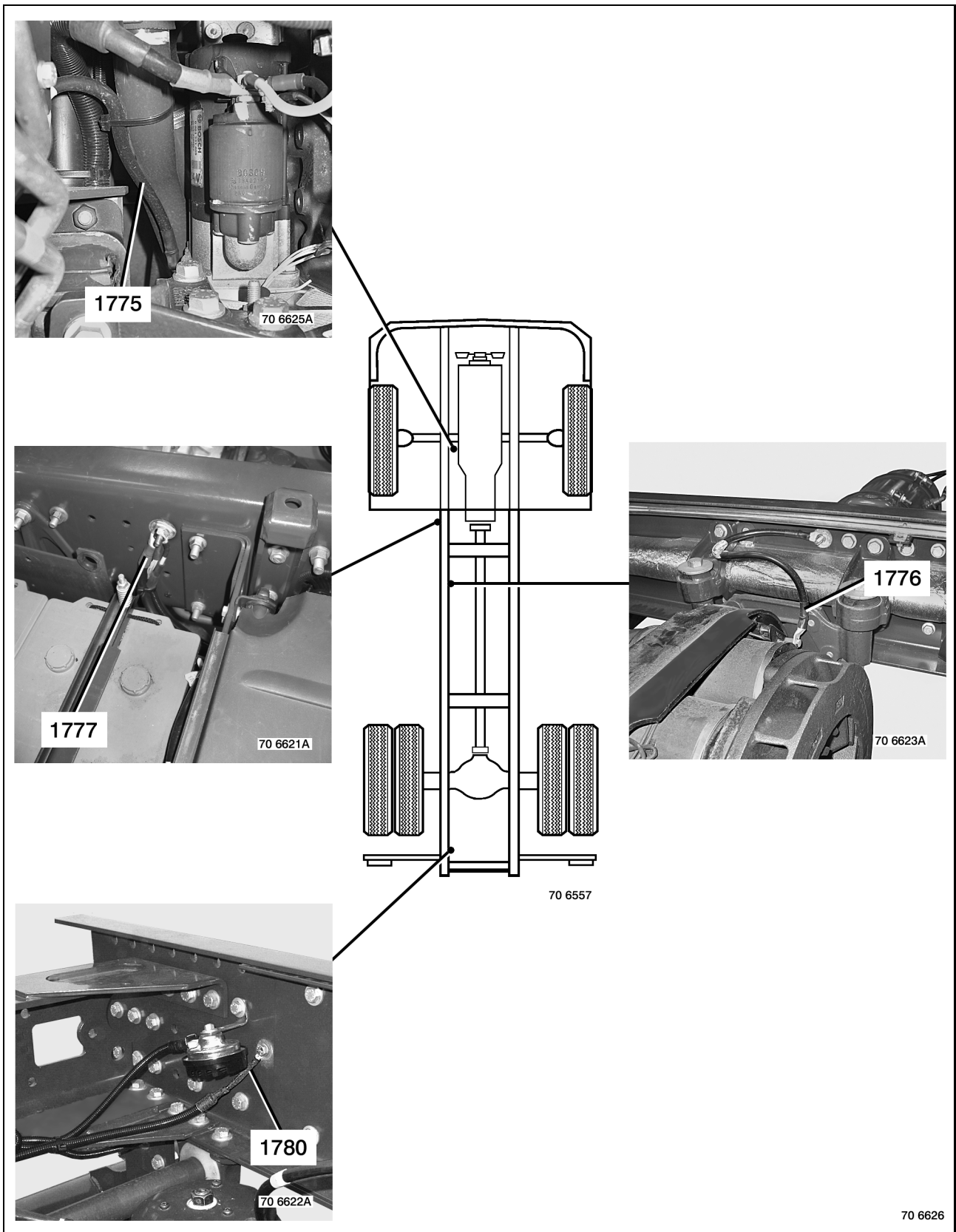


**Earths (3/4)****Layout for a vehicle with engine dCi11****Key to appliances**

<b>Code N°</b>	<b>Name of function</b>	<b>Location</b>
1775	Chassis - engine starter earth link earth	-
1776	Chassis - electric retarder earth link earth	-
1777	Chassis - battery tray earth link earth	-
1779	Chassis - trailer braking device earth link earth	-
1780	Chassis - vehicle rear / trailer earth link earth	-

### Earths (4/4)

Layout for a vehicle with engine dCi6





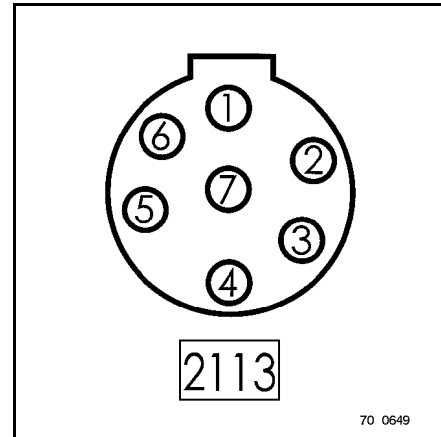
**Earths (4/4)****Layout for a vehicle with engine dCi6****Key to appliances**

<b>Code N°</b>	<b>Name of function</b>	<b>Location</b>
1775	Chassis - engine starter earth link earth	-
1776	Chassis - electric retarder earth link earth	-
1777	Chassis - battery tray earth link earth	-
1780	Chassis - vehicle rear / trailer earth link earth	-



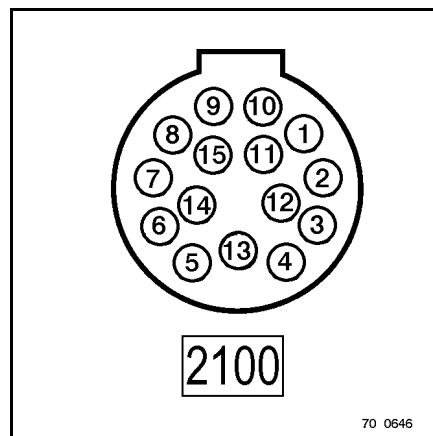
**TRAILER SOCKETS**

## 2113 Trailer socket 7 -pin type "24N"



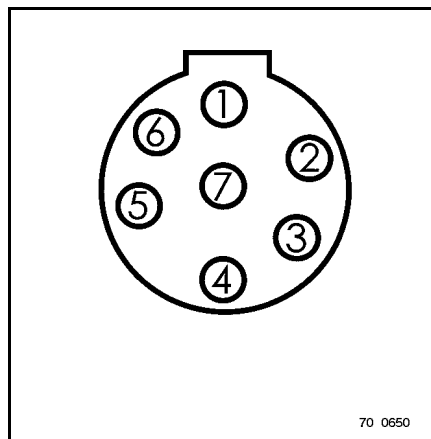
Pin item N°	Name of function	Fuse item N°	Amperage
1	Chassis - vehicle rear / trailer earth link earth	-	-
2	Trailer LH side/parking lamp	F4	10A
3	Trailer LH flashing lamps	-	-
4	Trailer stop lamp	F27	10A
5	Trailer RH flashing lamps	-	-
6	Trailer RH side/parking lamp	F4	10A
7	Pin not connected	-	-

## 2100 Trailer socket 15 -pin type



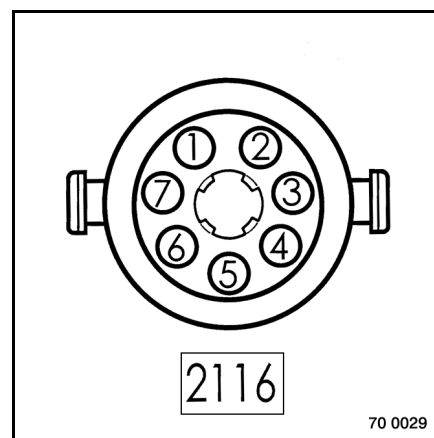
Pin item N°	Name of function	Fuse item N°	Amperage
1	Trailer LH flashing lamps	-	-
2	Trailer RH flashing lamps	-	-
3	Trailer fog lights	F8	10A
4	Chassis - vehicle rear / trailer earth link earth	-	-
5	Trailer LH side/parking lamp	F4	10A
6	Trailer RH side/parking lamp	F4	10A
7	Trailer stop lamp	F27	10A
8	Trailer reversing lamp	F16	10A
9	Trailer + 24V after master switch power supply	F43	10A
10	Pin not connected	-	-
11	Pin not connected	-	-
12	Pin not connected	-	-
13	Pin not connected	-	-
14	Pin not connected	-	-
15	Pin not connected	-	-

## 2115 Trailer socket 7 -pin type "24S"



Pin item N°	Name of function	Fuse item N°	Amperage
1	Chassis - vehicle rear / trailer earth link earth	-	-
2	Trailer perimeter detection module	-	-
3	Trailer reversing lamp	F16	10A
4	Trailer + 24V after master switch power supply	F43	10A
5	Trailer ABS safety warning lamp	-	-
6	Bodybuilder available connector	F1	10A
7	Trailer fog lights	F8	10A

## 2116 Trailer socket 7 -pin type "ABS / EBS"



Pin item N°	Name of function	Fuse item N°	Amperage
1	Trailer + 24V after master switch power supply	F43	10A
2	Bodybuilder available connector	F1	10A
3	Chassis - vehicle rear / trailer earth link earth	-	-
4	Chassis - vehicle rear / trailer earth link earth	-	-
5	Trailer ABS safety warning lamp	-	-
6	CAN BUS J11992-2 (H)	-	-
7	CAN BUS J11992-2 (L)	-	-

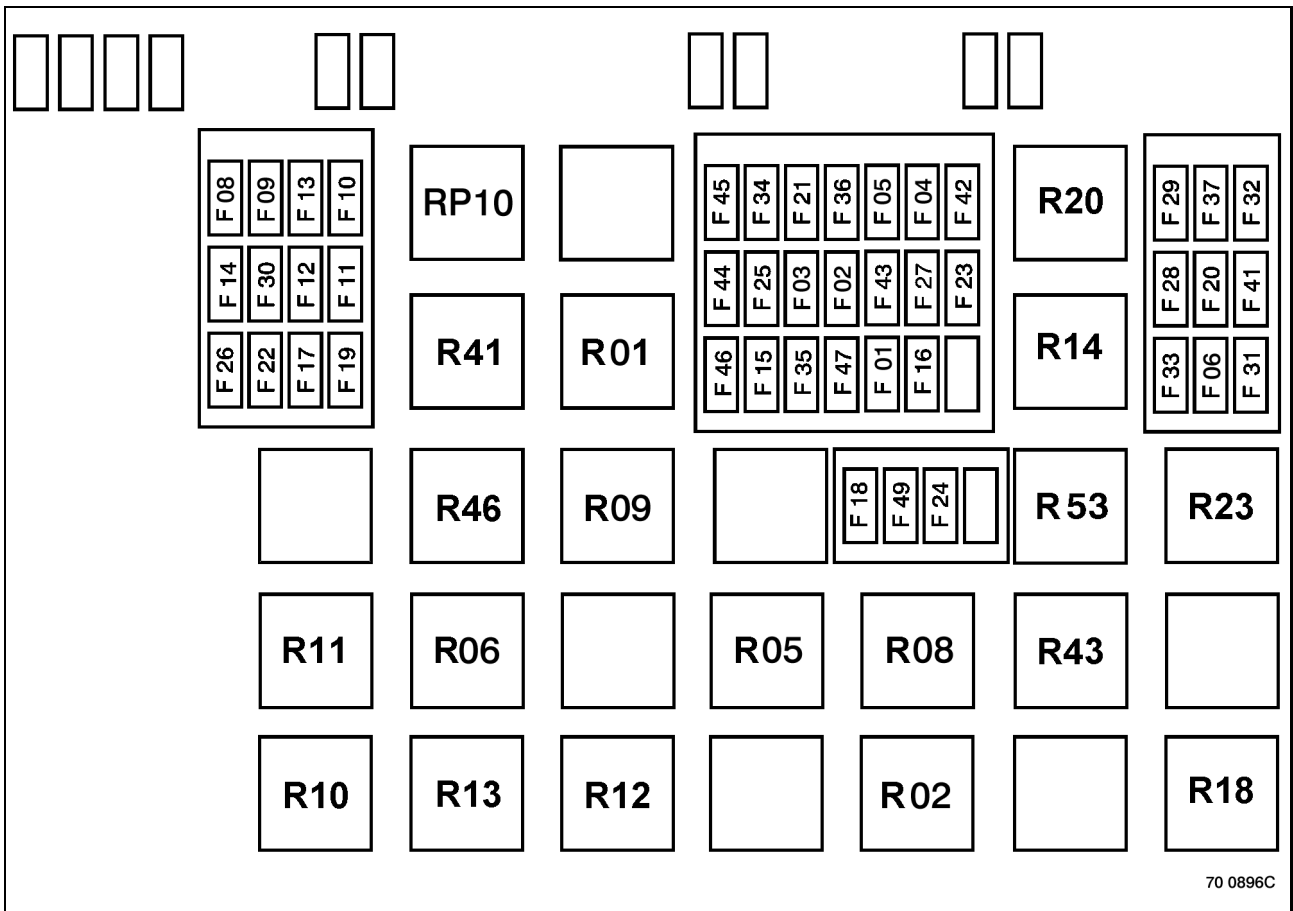




**ELECTRICAL DISTRIBUTION**

Fuses

Table of fuses on electrical distribution box



70 0896C

## Key to appliances

Code N°	Name of function	Fuse item N°	Amperage	Diagram page N°
2007	Onboard management pre-arrangement (GPS antenna)	F01	10	012
2009	Onboard management pre-arrangement (GPS antenna)	F01	10	012
2115	Trailer socket, 7-pin type 24 S	F01	10	012
2116	"ABS / EBS" 7-pin trailer socket	F01	10	012
2414	Preheating relay N°1	F01	10	012
2418	Preheating warning lamp	F01	10	012
4514	Air conditioning	F01	10	012
8032	Electric retarder relay box	F01	10	012
8404	Hydraulic retarder control unit	F01	10	012
8546	Self-tracking axle safety relay	F01	10	012
9201	Vehicle master ECU (VECU)	F01	10	012
3635	RH marker lights (bodybuilder equipment)	F02	10	035
3717	RH central marker lamp	F02	10	035
3725	RH rear side/parking lamp	F02	10	035
6125	Headlight, dipped headlight and right side lamp	F02	10	035
1843	Available power supply (lighting)	F03	10	035
3636	LH marker lights (bodybuilder equipment)	F03	10	035
3716	LH central marker lamp	F03	10	035
3726	LH rear side/parking lamp	F03	10	035
6124	Headlight, dipped headlight and left side lamp	F03	10	035
2100	Trailer socket, 15-pin	F04	10	035
2113	Trailer socket, 7-pin type 24 N	F04	10	035
1335	Bodybuilder available power supplies connector	F05	10	035
1800	Available power supply (insulated wires cut)	F05	10	035
2461	Engine preheating control	F06	10	035
3161	Hazard lights control	F06	10	035
3462	Revolving beacon(s) control	F06	10	035
3621	Side/parking lights warning lamp	F06	10	035
4111	Cigar lighter	F06	10	035
4160	Electric roof ventilator control	F06	10	035
4163	Defrosting rearview mirror control	F06	10	035
4361	Driver's window winder control	F06	10	035

<b>4362</b>	Passenger's window winder control	F06	10	035
<b>4365</b>	Passenger's window winder control (driver's side)	F06	10	035
<b>4514</b>	Air conditioning	F06	10	035
<b>4908</b>	Independent heating operating control	F06	10	035
<b>5319</b>	Headlamps wash pump motor	F06	10	035
<b>5561</b>	Valves lighting control	F06	10	035
<b>6261</b>	Long range driving lights control	F06	10	035
<b>6362</b>	Working floodlight control	F06	10	035
<b>6365</b>	"Reversing" buzzer control	F06	10	035
<b>8056</b>	Brake pedal retarder coupling control	F06	10	035
<b>8060</b>	"ASR" control	F06	10	035
<b>8569</b>	Lift-up axle load shedding control	F06	10	035
<b>8651</b>	"ASTRONIC" PTO control	F06	10	035
<b>8663</b>	Gear control lever or gearshift control box	F06	10	035
<b>9427</b>	Anti-aggression control	F06	10	035
<b>2100</b>	Trailer socket, 15-pin	F08	10	037
<b>2115</b>	Trailer socket, 7-pin type 24 S	F08	10	037
<b>3500</b>	LH fog lamp	F08	10	037
<b>3517</b>	Fog light(s) warning lamp	F08	10	037
<b>3722</b>	LH rear lights (flashing, stop, fog, reverse, side/parking)	F08	10	037
<b>6211</b>	LH fog driving lamp	F09	10	037
<b>6212</b>	RH fog driving lamp	F09	10	037
<b>6218</b>	Fog driving lights warning lamp	F09	10	037
<b>6113</b>	RH main beam headlamp	F10	10	041
<b>6114</b>	LH main beam headlamp	F11	10	041
<b>6123</b>	Main beam headlights warning lamp	F11	10	041
<b>6112</b>	LH dipped beam headlamp	F12	10	037
<b>6132</b>	Dipped beam headlights warning lamp	F12	10	037
<b>6111</b>	RH dipped beam headlamp	F13	10	037
<b>6221</b>	RH long range driving lamp	F14	10	041
<b>6222</b>	LH long range driving lamp	F14	10	041
<b>6261</b>	Long range driving lights control	F14	10	041
<b>5300</b>	Windscreen wiper power supply relay	F15	10	012
<b>5311</b>	Windscreen wiper motor	F15	10	012
<b>1335</b>	Bodybuilder available power supplies connector	F16	10	012
<b>2100</b>	Trailer socket, 15-pin	F16	10	012

<b>2115</b>	Trailer socket, 7-pin type 24 S	F16	10	012
<b>4126</b>	Defrosting rearview mirrors resistor power supply relay	F16	10	012
<b>6120</b>	Daytime lights relay	F16	10	012
<b>6321</b>	RH reversing lamp	F16	10	012
<b>6322</b>	LH rear reversing lamp	F16	10	012
<b>8140</b>	Braking circuit electrovalve (reversing safety)	F16	10	012
<b>9201</b>	Vehicle master ECU (VECU)	F16	10	012
<b>4202</b>	Radio	F17	20	074
<b>4514</b>	Air conditioning	F18	10	012
<b>8404</b>	Hydraulic retarder control unit	F18	10	012
<b>8602</b>	Automatic gearbox ECU	F18	10	012
<b>8637</b>	Gearbox management ECU	F18	10	012
<b>8650</b>	Automatic gearbox PTO solenoid valve	F18	10	012
<b>2421</b>	Fuel preheater resistor N°1	F19	25	025
<b>2423</b>	Fuel preheater resistor N°2	F19	25	025
<b>3417</b>	Revolving beacon 1	F20	10	048
<b>3418</b>	Revolving beacon 2	F20	10	048
<b>3462</b>	Revolving beacon(s) control	F20	10	048
<b>4135</b>	Electric roof ventilator motor	F20	10	048
<b>1335</b>	Bodybuilder available power supplies connector	F21	20	074
<b>2112</b>	"24 Volts" plug socket	F21	20	074
<b>4208</b>	Voltage dropper (24V / 12V) - Secondary 12 Volts socket	F21	20	074
<b>4826</b>	Refrigerator	F21	20	074
<b>4422</b>	Air/water independent heater	F22	20	091
<b>4423</b>	Air/air independent heater	F22	20	090/ 092
<b>4469</b>	Independent heater timer control	F22	20	091
<b>4487</b>	Temperature variator	F22	20	091
<b>4514</b>	Air conditioning	F22	20	091
<b>4650</b>	Driver's step lighting	F22	20	091
<b>4937</b>	Independent heater relay	F22	20	091
<b>2004</b>	Onboard management pre-arrangement (computer)	F23	10	069
<b>4209</b>	Voltage dropper (24V / 12V) - telecommunications	F23	10	069
<b>4275</b>	GPS computer	F23	10	069
<b>4602</b>	Rear map reader lighting	F23	10	069
<b>4617</b>	Top bunk overhead lamp	F23	10	069
<b>4618</b>	Driver's overhead lamp	F23	10	069

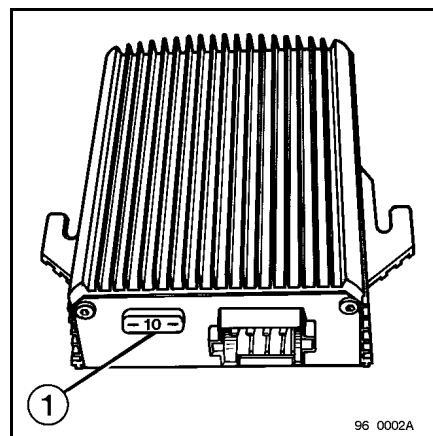
<b>4621</b>	Bottom bunk overhead lighting	F23	10	069
<b>4625</b>	Passenger's overhead lamp	F23	10	069
<b>4650</b>	Driver's step lighting	F23	10	069
<b>4651</b>	Passenger's step lighting	F23	10	069
<b>4311</b>	Driver's window winder motor	F24	20	012
<b>4312</b>	Passenger's window winder motor	F24	20	012
<b>7114</b>	Electronic tachograph	F25	05	800
<b>3410</b>	Roof trumpet horn solenoid valve	F26	10	048
<b>3411</b>	Horn	F26	10	048
<b>2100</b>	Trailer socket, 15-pin	F27	10	045
<b>2113</b>	Trailer socket, 7-pin type 24 N	F27	10	045
<b>3520</b>	LH rear stop lamp	F27	10	045
<b>3521</b>	RH rear stop lamp	F27	10	045
<b>8000</b>	"ABS" ECU	F28	20	100
<b>8036</b>	"ABS" retarder phase cut-off relay	F28	20	100
<b>9501</b>	"EBS" ECU	F28	20	102
<b>4118</b>	Defrosting rearview mirrors warning lamp	F29	10	064
<b>4122</b>	LH swivelling defrosting rearview mirror	F29	10	064
<b>4123</b>	RH swivelling defrosting rearview mirror	F29	10	064
<b>4111</b>	Cigar lighter	F30	20	074
<b>4200</b>	Voltage dropper (12 Volt socket)	F30	20	074
<b>4222</b>	Driver's heated seat resistor	F30	20	074
<b>4223</b>	Passenger's heated seat resistor	F30	20	074
<b>5322</b>	Driver's seat belt not attached warning buzzer	F30	20	074
<b>6138</b>	LH headlight adjustment motor	F30	20	074
<b>6139</b>	RH headlight adjustment motor	F30	20	074
<b>7524</b>	"SAE" diagnostic socket	F30	20	074
<b>6111</b>	RH dipped beam headlamp	F31	20	037
<b>6112</b>	LH dipped beam headlamp	F31	20	037
<b>6132</b>	Dipped beam headlights warning lamp	F31	20	037
<b>5314</b>	Windscreen wash pump	F32	20	030
<b>5319</b>	Headlamps wash pump motor	F32	20	030
<b>7519</b>	Diagnostics socket	F33	10	150
<b>8502</b>	Suspension ECU	F33	10	150
<b>3101</b>	Flasher unit	F34	15	010
<b>4001</b>	Central locking box (doors)	F34	15	010

<b>4202</b>	Radio	F34	15	010
<b>4423</b>	Air/air independent heater	F34	15	010
<b>4469</b>	Independent heater timer control	F34	15	010
<b>9420</b>	Anti-theft alarm ECU	F34	15	010
<b>9423</b>	Anti-theft alarm buzzer	F34	15	010
<b>1335</b>	Bodybuilder available power supplies connector	F35	15	012
<b>1805</b>	Available power supply (after ignition)	F35	15	012
<b>8137</b>	Air dryer heater	F35	15	012
<b>2116</b>	"ABS / EBS" 7-pin trailer socket	F36	20	890
<b>4047</b>	Passenger's side electric striker motor	F37	10	059
<b>4048</b>	Driver's side electric striker motor	F37	10	059
<b>1335</b>	Bodybuilder available power supplies connector	F41	10	048
<b>2100</b>	Trailer socket, 15-pin	F41	10	048
<b>2115</b>	Trailer socket, 7-pin type 24 S	F41	10	048
<b>6321</b>	RH reversing lamp	F41	10	048
<b>6322</b>	LH rear reversing lamp	F41	10	048
<b>8140</b>	Braking circuit electrovalve (reversing safety)	F41	10	048
<b>8544</b>	Self-tracking axle electrovalve	F41	10	048
<b>8602</b>	Automatic gearbox ECU	F42	10	122
<b>8637</b>	Gearbox management ECU	F42	10	120
<b>2100</b>	Trailer socket, 15-pin	F43	10	041
<b>2115</b>	Trailer socket, 7-pin type 24 S	F43	10	041
<b>6314</b>	Working floodlamp (tractor)	F43	10	041
<b>6362</b>	Working floodlight control	F43	10	041
<b>8526</b>	Cab tilting motor	F44	25	602
<b>2164</b>	Electrical master switch	F45	10	010
<b>4001</b>	Central locking box (doors)	F45	10	010
<b>9420</b>	Anti-theft alarm ECU	F45	10	010
<b>9423</b>	Anti-theft alarm buzzer	F45	10	010
<b>1335</b>	Bodybuilder available power supplies connector	F46	10	012
<b>2422</b>	Fuel preheater relay	F46	10	012
<b>7614</b>	Principal display	F46	10	012
<b>8003</b>	Hydraulic retarder ECU	F46	10	012
<b>8004</b>	Electric retarder ECU	F46	10	012
<b>9420</b>	Anti-theft alarm ECU	F46	10	012
<b>8502</b>	Suspension ECU	F47	10	012

<b>8582</b>	Rear axle air springs pressure sensor	F47	10	012
<b>8000</b>	"ABS" ECU	F49	03	012
<b>9501</b>	"EBS" ECU	F49	03	012



## Table of fuses outside electrical distribution box



### Key to appliances

Code N°	Name of function	Fuse item N°	Amperage	Diagram page N°
8228	Declutching fan	F07	10	610
9202	Engine master ECU (EECU)	F07	10	610
9202	Engine master ECU (EECU)	F38	25	610
7114	Electronic tachograph	F57	10	604
9201	Vehicle master ECU (VECU)	F57	10	604
4137	Windscreen defrosting resistor	F61	50	074
7114	Electronic tachograph	F99	05	010
8003	Hydraulic retarder ECU	F662	05	204

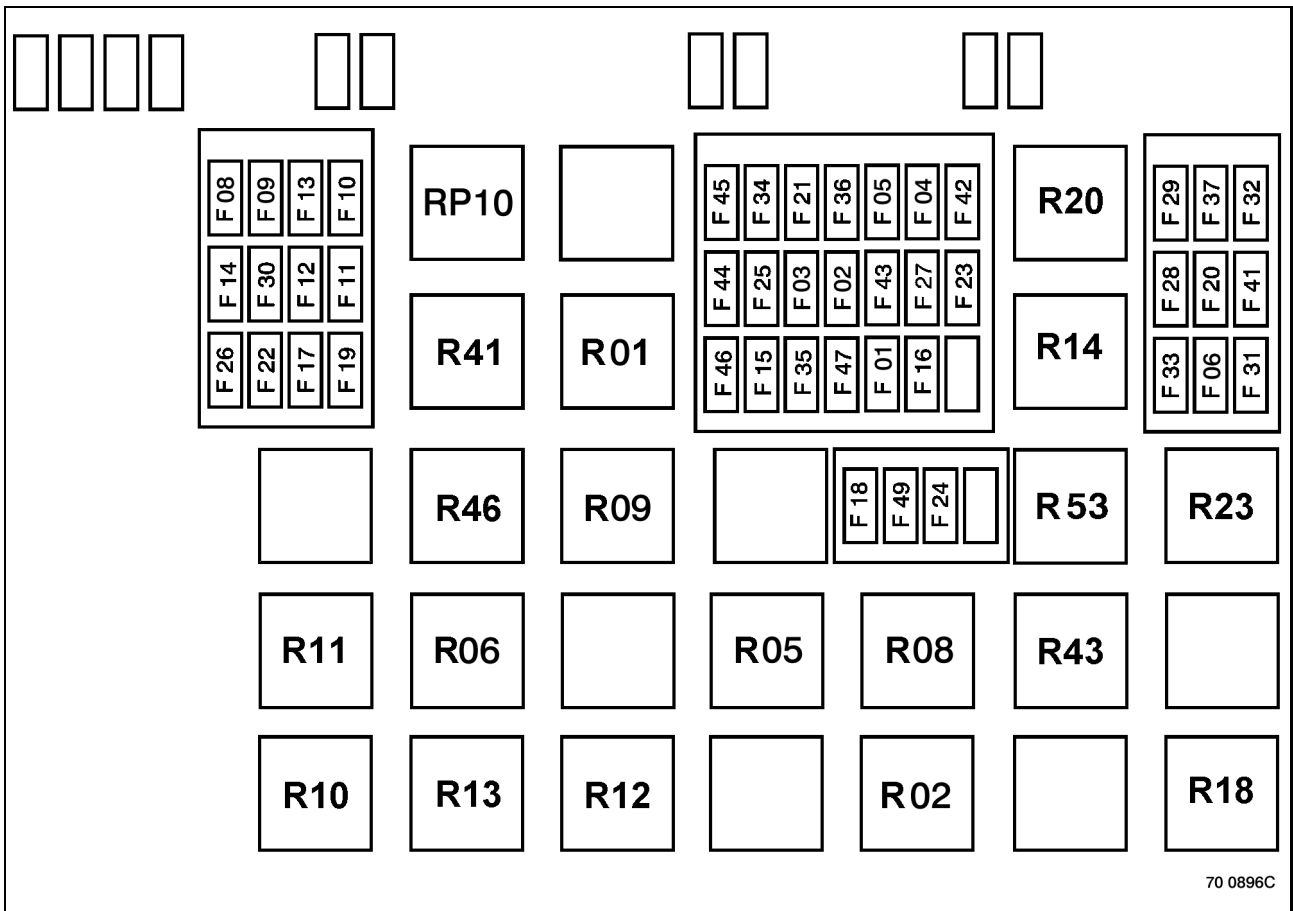
### Voltage dropper

A fuse (1) protects the appliance against polarity reversal at the batteries.



Relays

Table of relays on distribution box



70 0896C

## Key to appliances

Code	Name of function	Relay item N°	Amperage	Diagram page N°
<b>2196</b>	After ignition power supply relay N°1	R01	50A	012
<b>2197</b>	After ignition power supply relay N°2	R02	50A	012
<b>3618</b>	Side/parking lights power supply relay N°1	R05	20A	035
<b>4136</b>	Comfort accessories power supply relay	R06	20A	074
<b>3662</b>	Lighting power supply relay	R08	20A	030
<b>6214</b>	Fog driving lights relay	R09	20A	037
<b>3513</b>	Fog light(s) power supply relay	R10	20A	037
<b>8527</b>	Cab tilting system control relay	RP10	50A	602
<b>6119</b>	Dipped beam headlights relay	R11	20A	037
<b>6121</b>	Main beam headlights power supply relay	R12	20A	041
<b>6215</b>	Long range driving lights power supply relay	R13	20A	041
<b>3512</b>	Stop lights power supply relay	R14	20A	045
<b>8036</b>	"ABS" retarder phase cut-off relay	R18	20A	100
<b>4126</b>	Defrosting rearview mirrors resistor power supply relay	R20	20A	064
<b>3419</b>	Revolving beacon(s) power supply relay	R23	20A	048
<b>2422</b>	Fuel preheater relay	R41	50A	025
<b>9210</b>	"VECU / EECU" power supply relay	R43	20A	604
<b>4545</b>	Conditioned air relay	R46	20A	091
<b>5310</b>	Headlamps wash pump time-delay power supply relay	R53	20A	030

**Table of relays outside electrical distribution box****Key to appliances**

<b>Code</b>	<b>Name of function</b>	<b>Relay item N°</b>	<b>Amperage</b>	<b>Diagram page N°</b>
<b>2213</b>	Starting safety relay	R22	20A	122
<b>5300</b>	Windscreen wiper power supply relay	R25	20A	030
<b>4937</b>	Independent heater relay	R28	20A	091
<b>6120</b>	Daytime lights relay	R45	20A	037
<b>4138</b>	Windscreen defrosting resistor power supply time-delay relay	R48	50A	074
<b>6316</b>	Reversing lights power supply relay	R54	20A	048
<b>8546</b>	Self-tracking axle safety relay	R55	20A	602
<b>2414</b>	Preheating relay N°1	R93	50A	025
<b>2212</b>	Starting relay	R94	50A	020



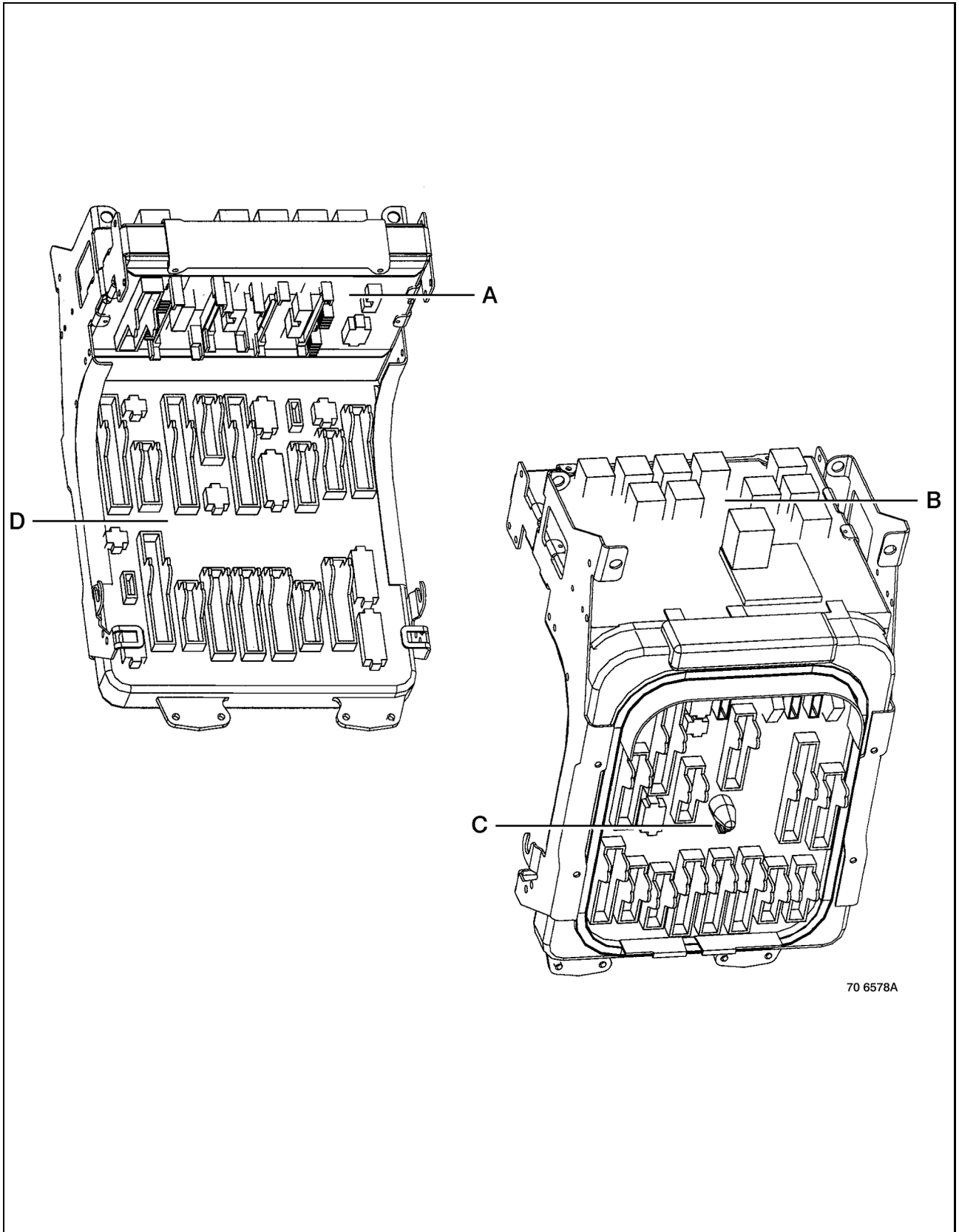
**Diode(s) outside distribution box****Key to appliances**

<b>Code</b>	<b>Name of function</b>	<b>Diode item N°</b>	<b>Diagram page N°</b>
0112	Diode(s)	D1	059
0112	Diode(s)	D2	012
0112	Diode(s)	D3	012
0112	Diode(s)	D5	069
0112	Diode(s)	D6	069





Distribution box



70 6578A

**Distribution box**

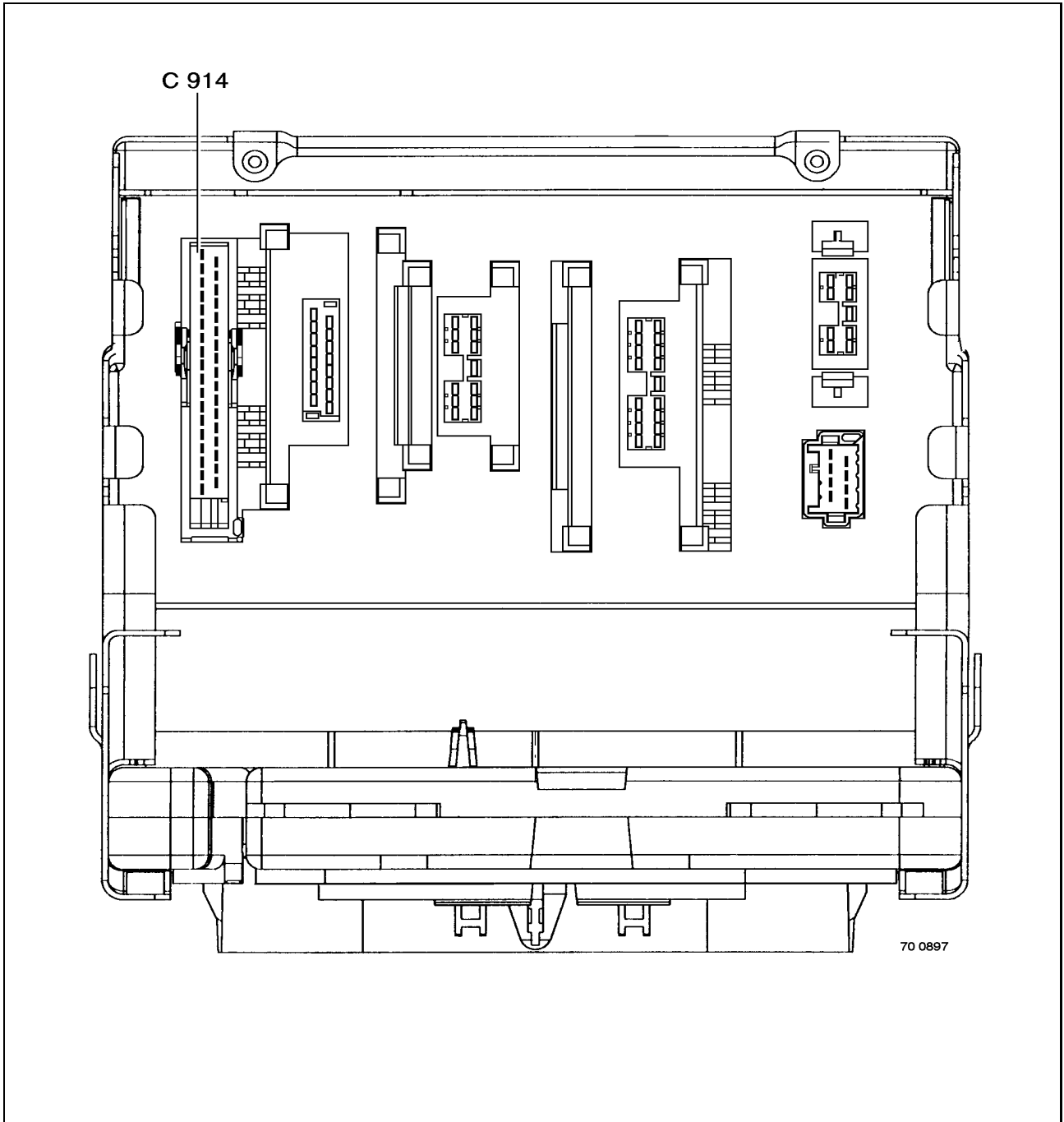
**Front end A** (see details, page E-4-3)

**Front end B** (see details, page E-4-5)

**Front end C** (see details, page E-4-6)

**Front end D** (see details, page E-4-12)

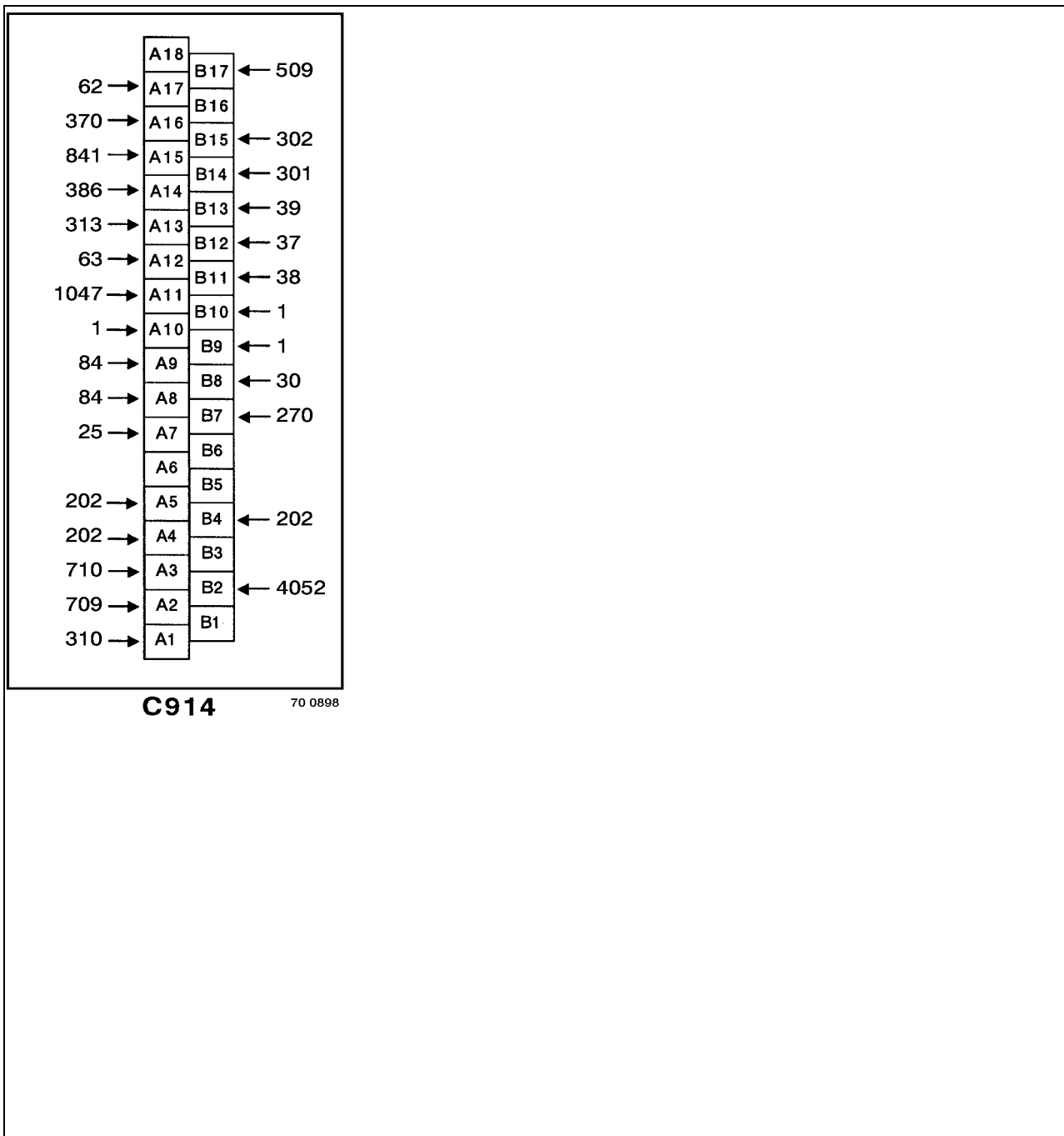
Front end connectors A



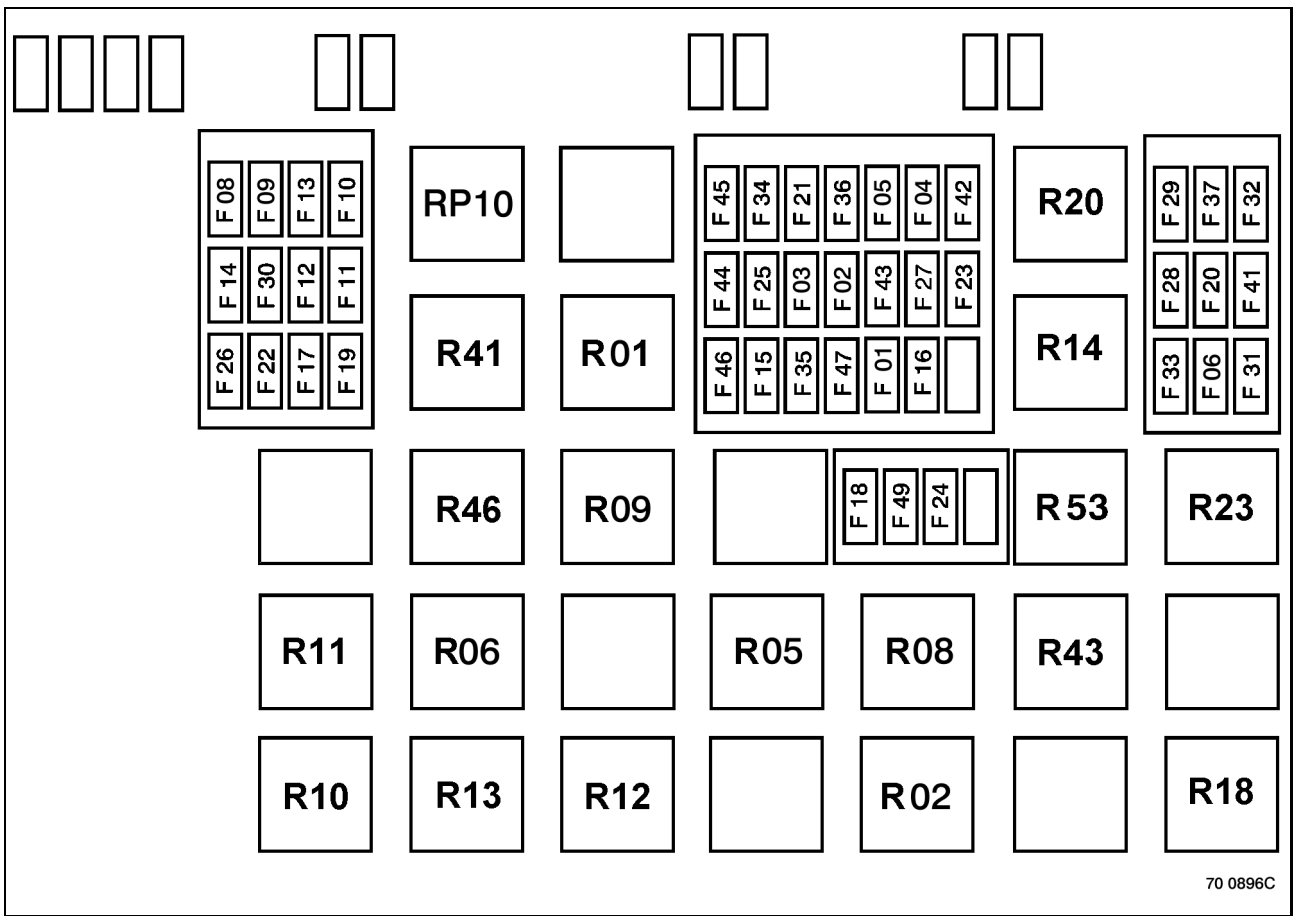
Front end connectors A

Key to appliances

Con- nec- tor item N°	Name of function	Co- lour	Num- ber of ways
C914	Dashboard wiring harness	Bu	35



Front end connectors B



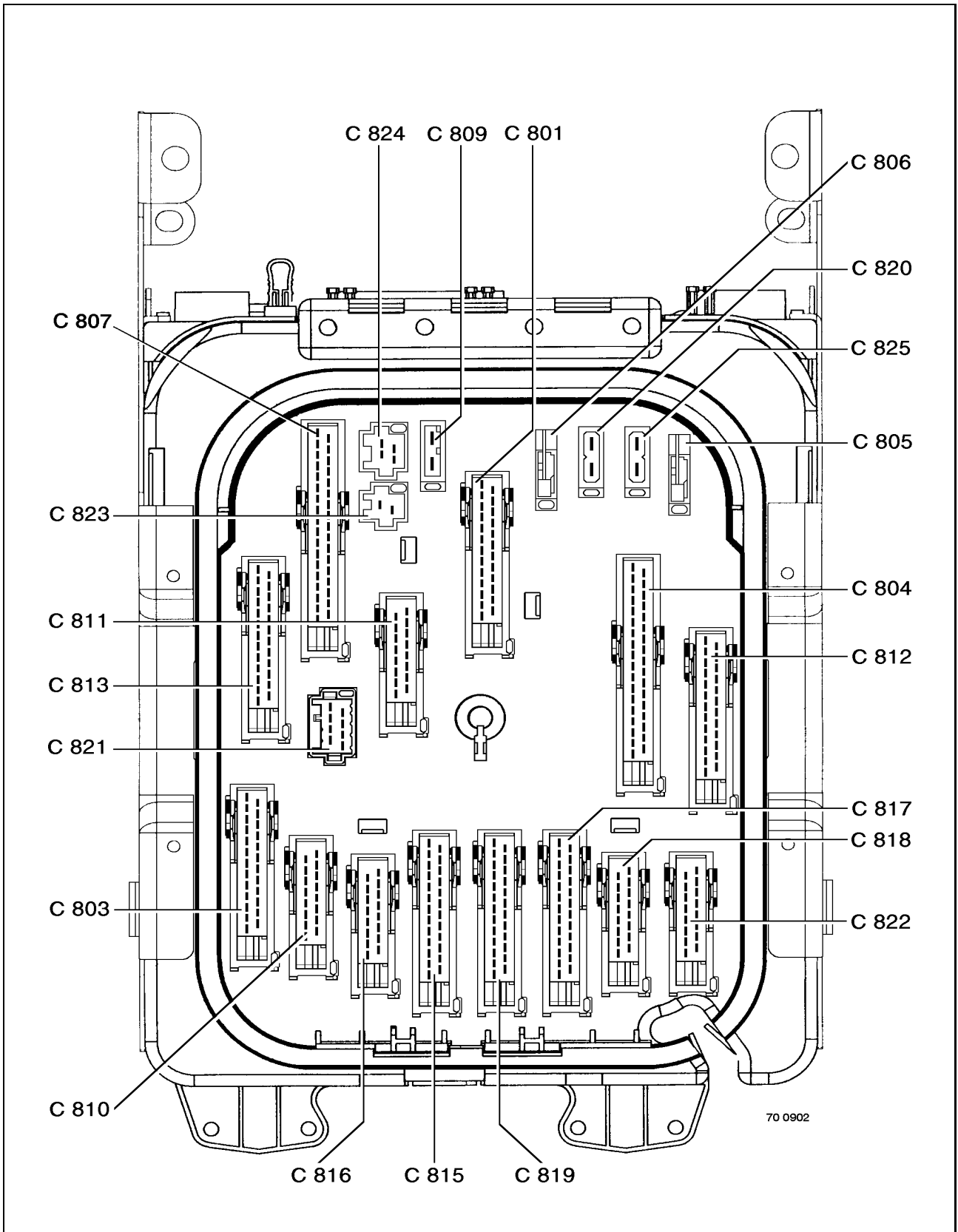
Key to appliances

**Fuses** (see details, page E-1-2)

**Relays** (see details, page E-2-1)

**Diodes** (see details, page E-3-1)

Front end connectors C



## Front end connectors C

## Key to appliances

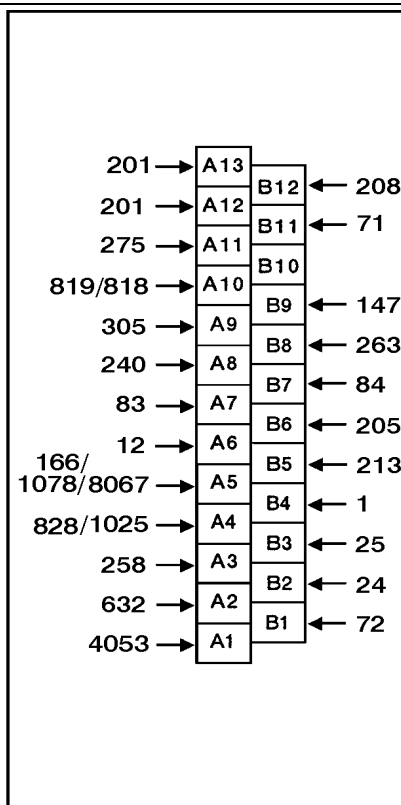
Con- nec- tor item N°	Name of function	Co- lour	Num- ber of ways
C801	Power supply and auxiliary equipment	R	25
C803	Front grille equipment	R	25
C804	Power unit equipment wiring harness	Ve	35
C805	Power supply equipment (earth)	M	2
C806	+ 24 Volts power supply wiring harness	N	2
C809	Trailer sockets wiring harness	G	2
C810	Rear signalling and lighting wiring harness	Ve	16
C811	Trailer sockets wiring harness	Bc	16
C812	Front signalling and lighting wiring harness	M	25
C813	Doors and front end equipment wiring harness	Ve	25
C815	Air suspension equipment wiring harness	Bc	25
C816	Rear "ABS/ASR" equipment	M	16
C817	Fuel-injection electronic management equipment wiring harness	Bu	25
C818	Front "ABS/ASR" equipment	R	16
C819	Hydraulic retarder equipment	J	25
C820	Power unit equipment wiring harness	Bc	2
C821	Electric retarder relay box equipment	J	8
C822	Climate control / Starting aid wiring harness	J	16
C823	Available power supply wiring harness	G	2
C824	Brake pad wear monitoring equipment	Bc	2
C825	Cab tilting equipment	Bu	2

## Front end connectors interface C - D

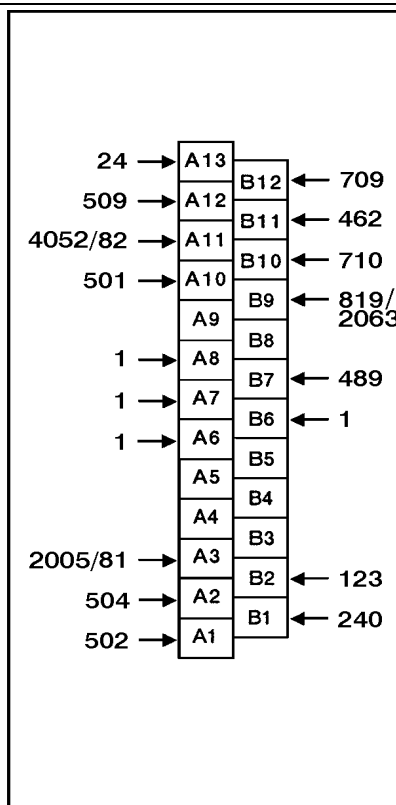
Con- nec- tor item N°	Name of function	Co- lour	Num- ber of ways
C815/ C918	Air suspension equipment wiring harness	Bc	25
C816/ C923	Rear "ABS/ASR" equipment	M	16
C817/ C924	Fuel-injection electronic management equipment wiring harness	Bu	25
C818/ C928	Front "ABS/ASR" equipment	R	16
C819/ C930	Hydraulic retarder equipment	J	25



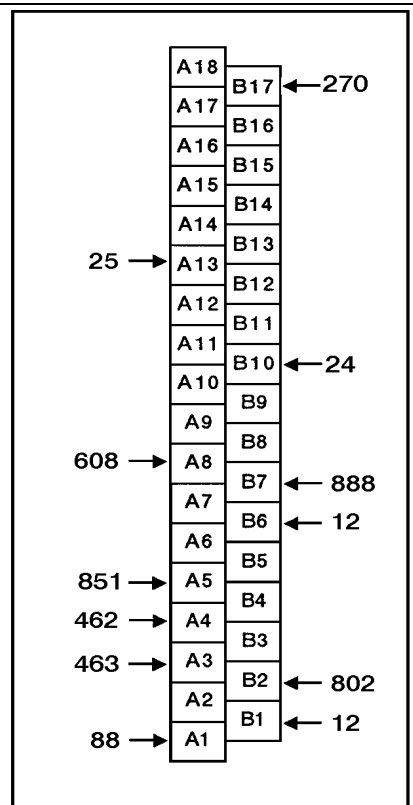
Front end connectors C



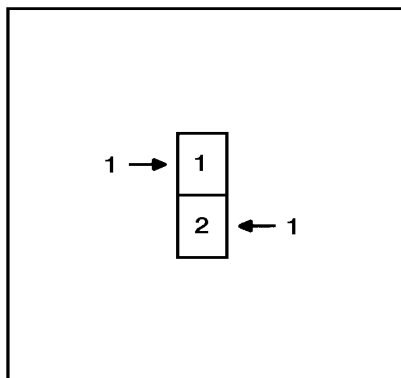
C801



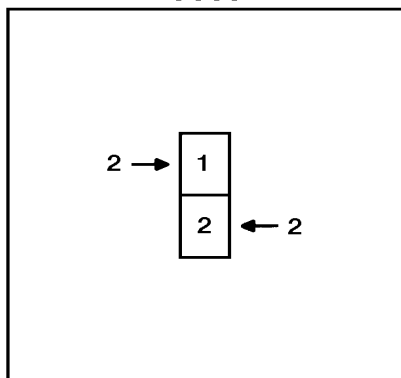
C803/C503



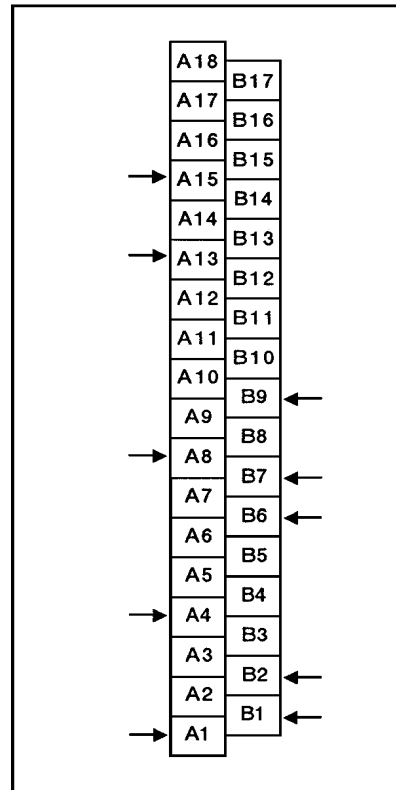
C804



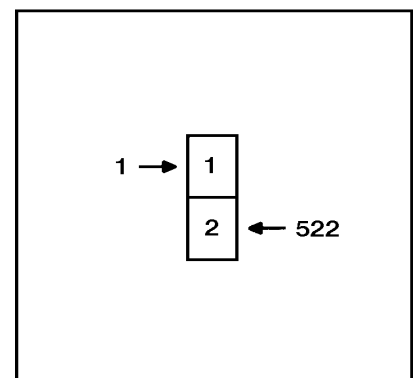
C805



C806



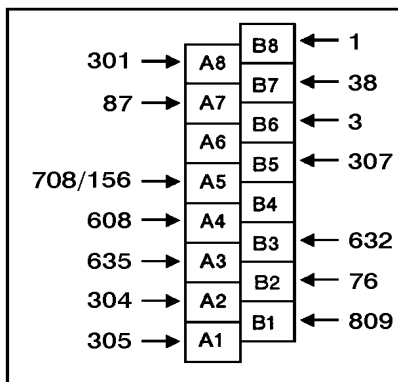
C807



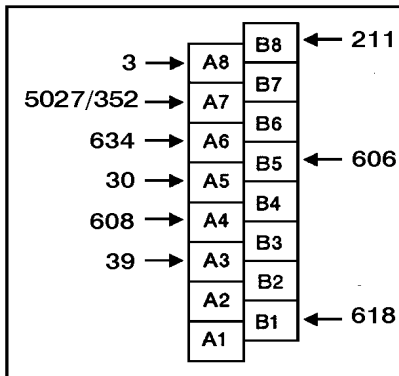
C809

70 0903

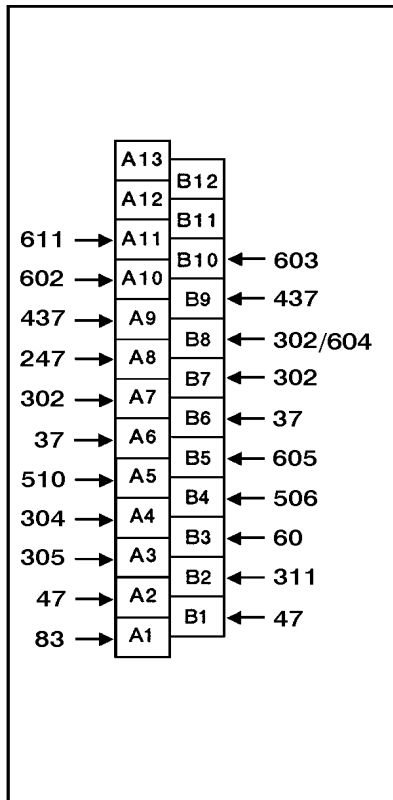
Front end connectors C



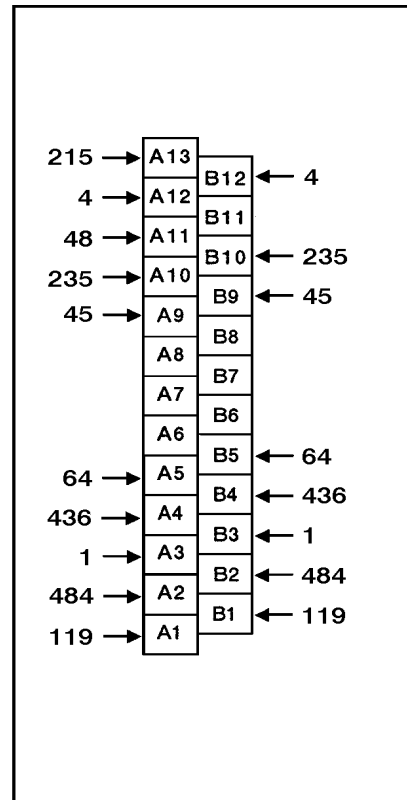
C810



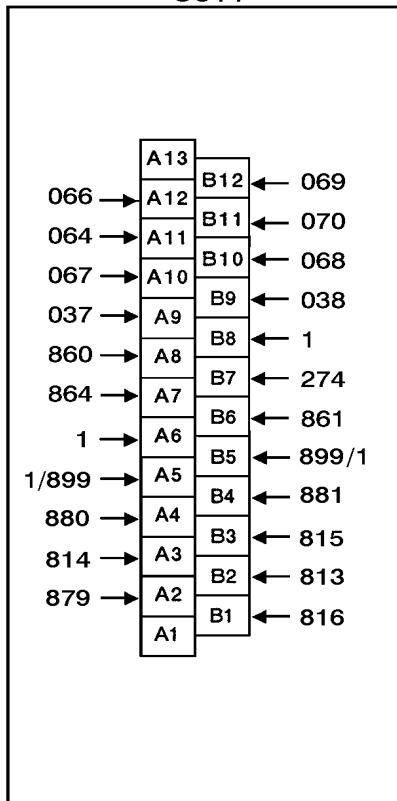
C811



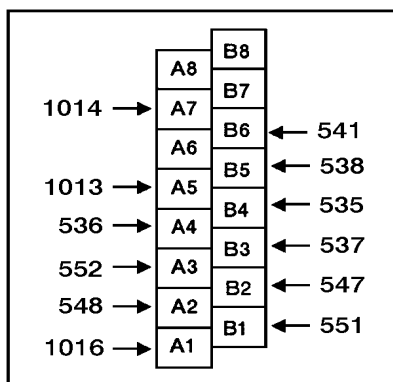
C812



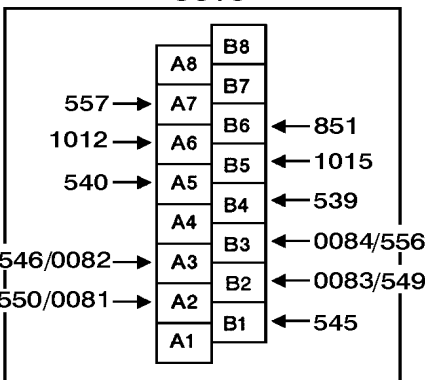
C813/C513



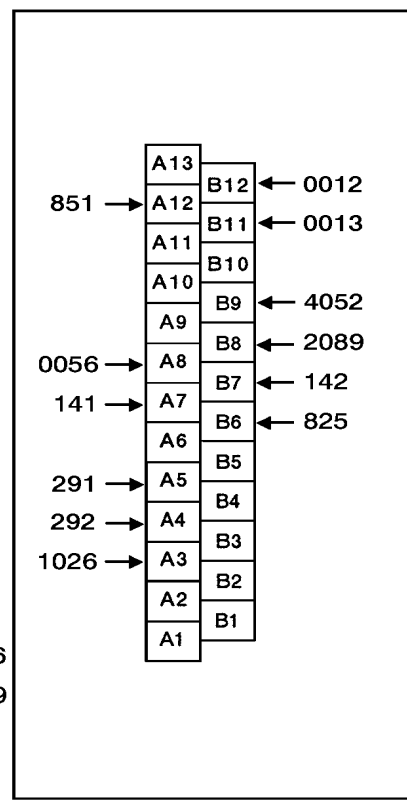
C815



C816



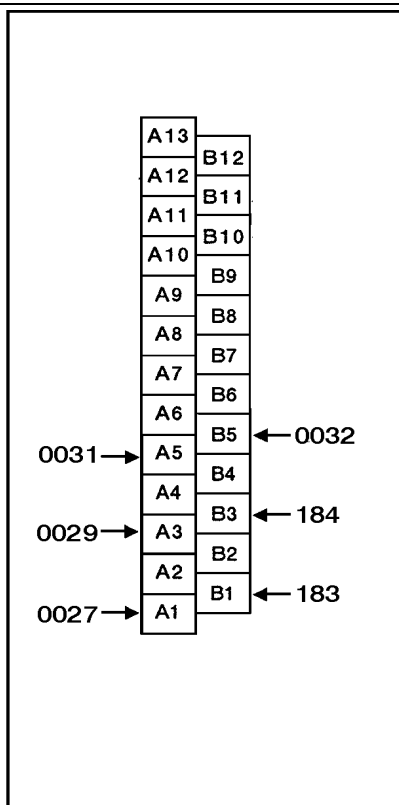
C818



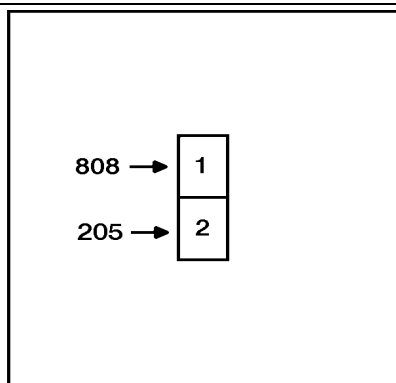
C817

70 0904

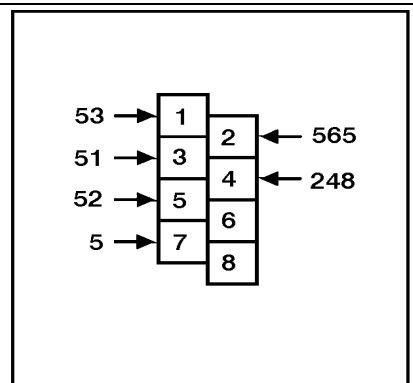
Front end connectors C



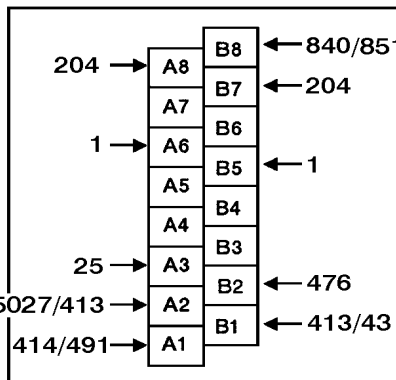
C819



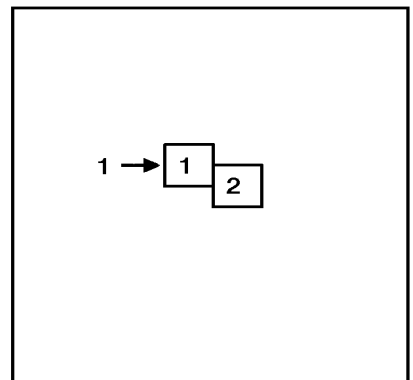
C820



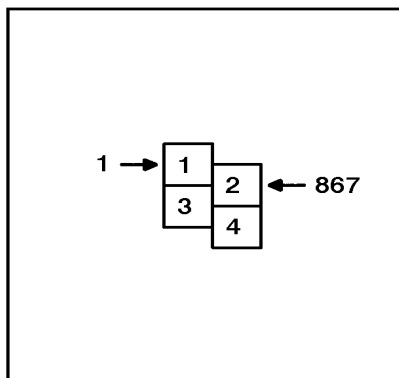
C821



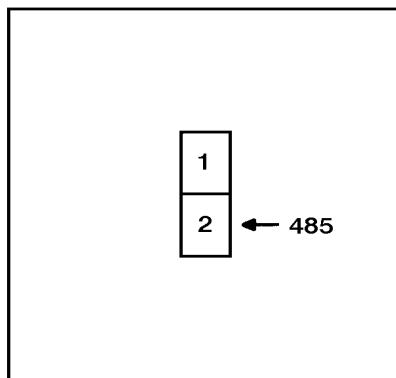
C822



C823



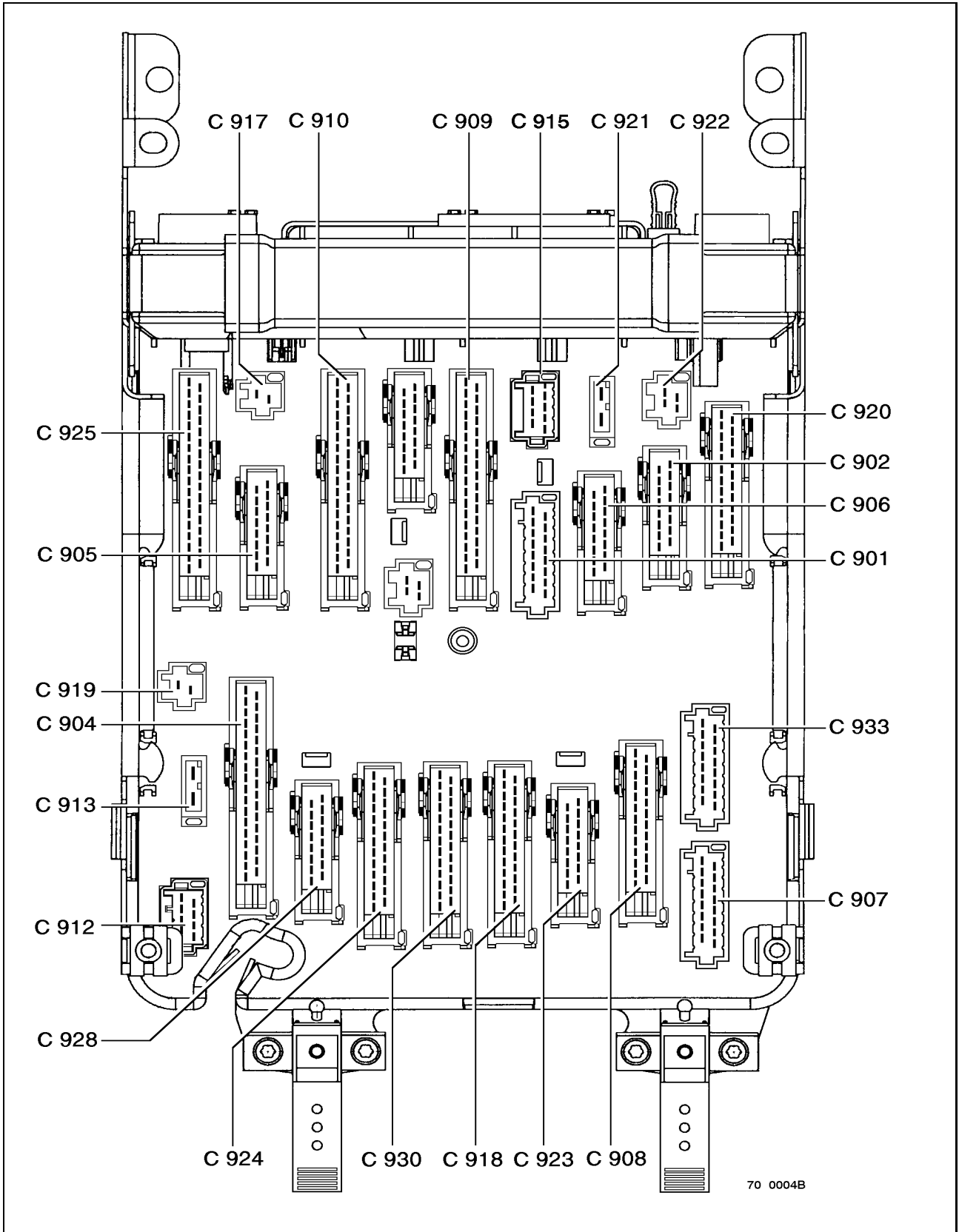
C824



C825

70 0905

Front end connectors D



## Front end connectors D

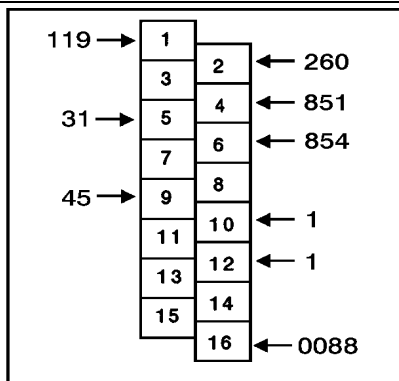
## Key to appliances

Con- nec- tor item N°	Name of function	Co- lour	Num- ber of ways
C902	Air suspension equipment wiring harness	Bc	16
C904	Fuel-injection electronic management equipment wiring harness	Ve	35
C905	Speed measuring and monitoring equipment	J	16
C906	Dashboard wiring harness	Bu	16
C907	Top ledge equipment wiring harness	Ve	16
C908	Top ledge equipment wiring harness	R	25
C909	Dashboard wiring harness	J	35
C910	Secondary display equipment	R	35
C912	Climate control / Starting aid wiring harness	J	8
C913	Climate control / Starting aid wiring harness	M	2
C915	Top ledge equipment wiring harness	Bc	8
C917	Available power supply wiring harness	G	2
C918	Air suspension equipment wiring harness	Bc	25
C919	Comfort accessories wiring harness	Bc	2
C920	"ABS/ASR" equipment	Ve	25
C921	Available power supply wiring harness	G	2
C922	Air suspension remote control equipment	J	4
C923	Rear "ABS/ASR" equipment	M	16
C924	Fuel-injection electronic management equipment wiring harness	Bu	25
C925	Comfort accessories wiring harness	Bc	35
C928	Front "ABS/ASR" equipment	R	16
C930	Hydraulic retarder equipment	J	25
C933	Top ledge equipment wiring harness	G	16

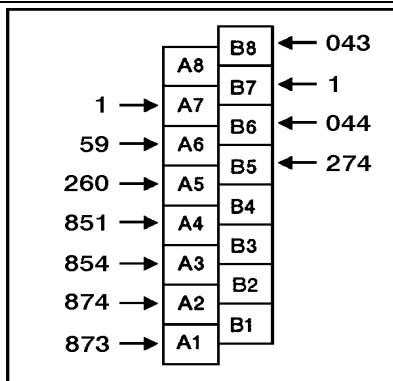
## Front end connectors interface D - C

Con- nec- tor item N°	Name of function	Co- lour	Num- ber of ways
C918/ C815	Air suspension equipment wiring harness	Bc	25
C923/ C816	Rear "ABS/ASR" equipment	M	16
C924/ C817	Fuel-injection electronic management equipment wiring harness	Bu	25
C928/ C818	Front "ABS/ASR" equipment	R	16
C930/ C819	Hydraulic retarder equipment	J	25

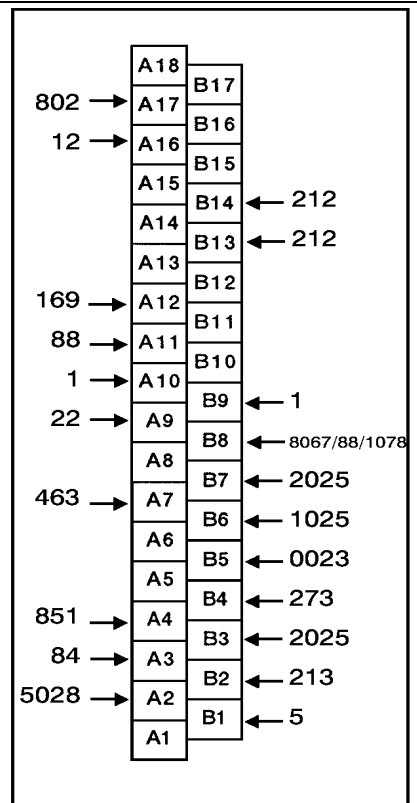
Front end connectors D



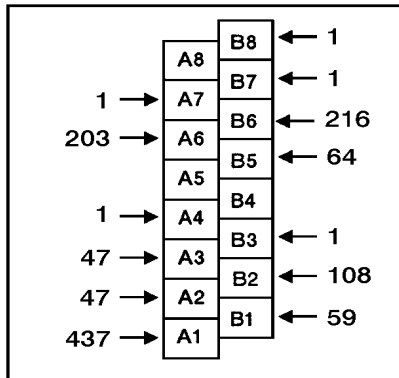
C901



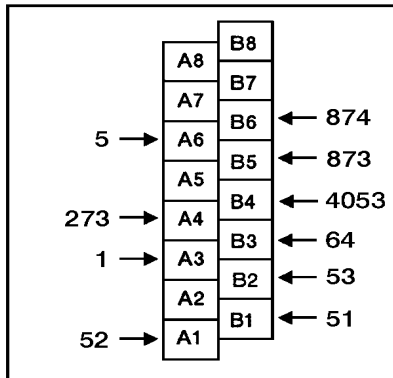
C902/C448



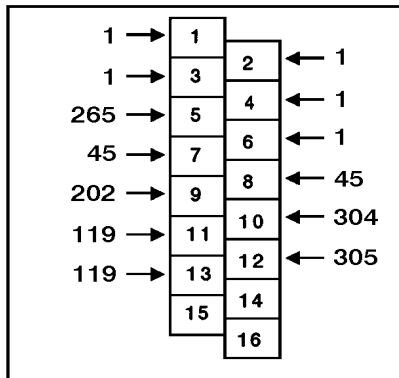
C904



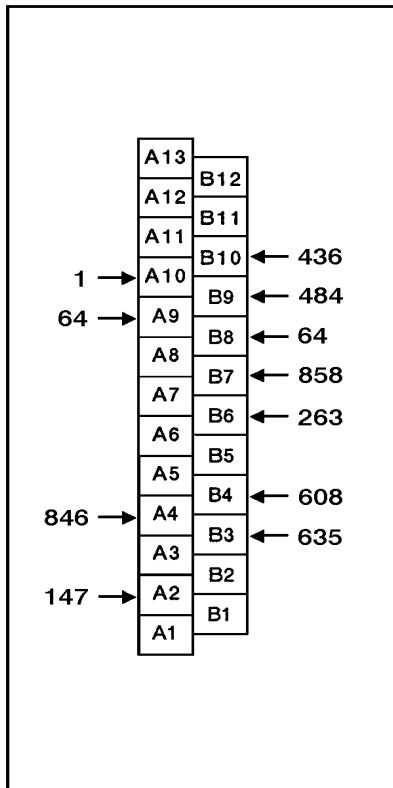
C905



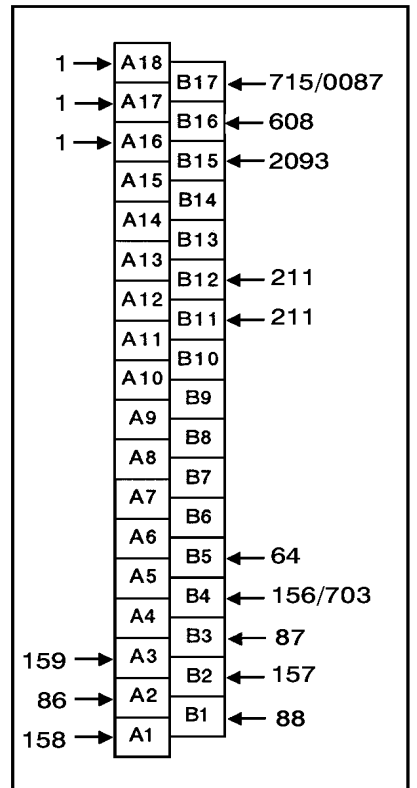
C906



C907



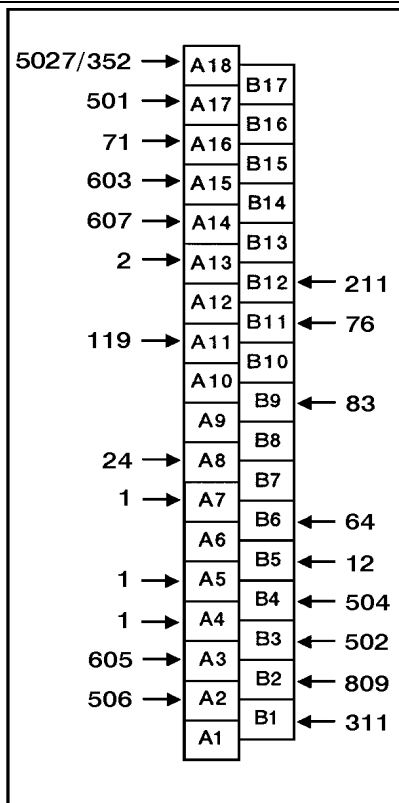
C908



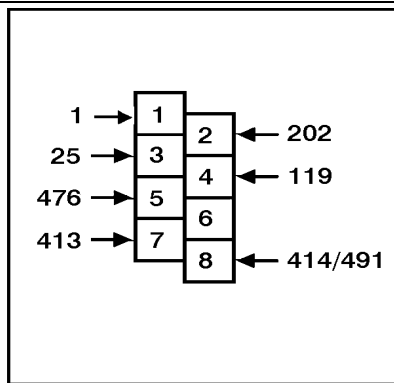
C909

70 0899

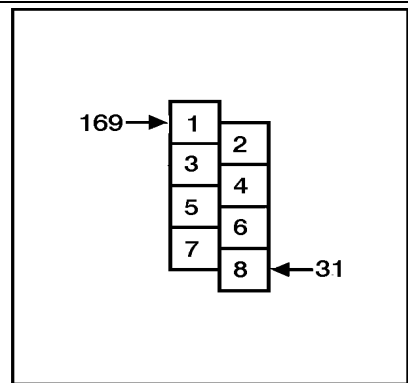
Front end connectors D



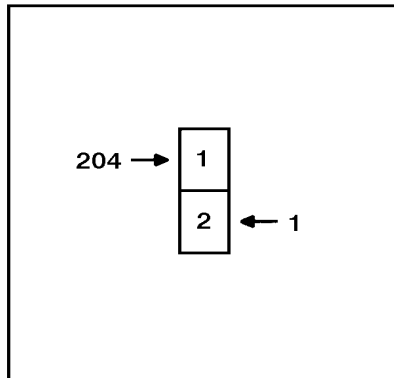
C910



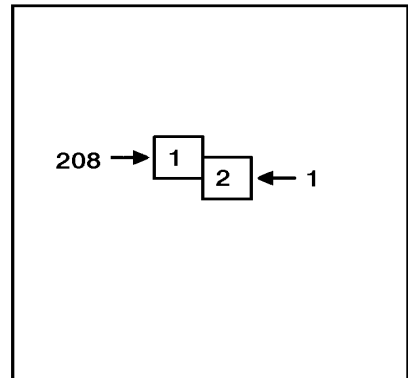
C912/C443/C425



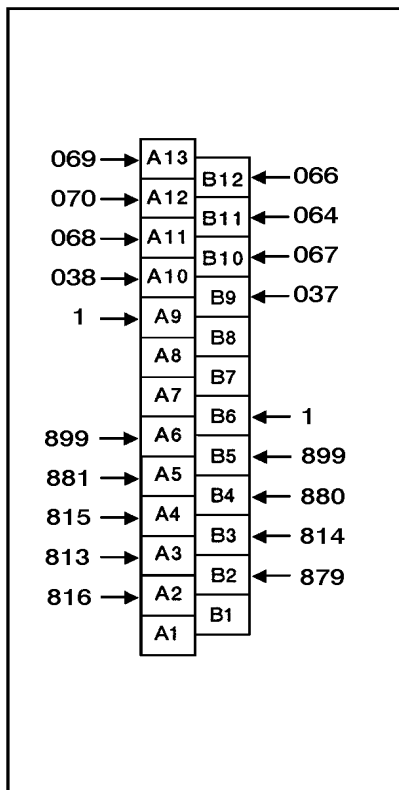
C915



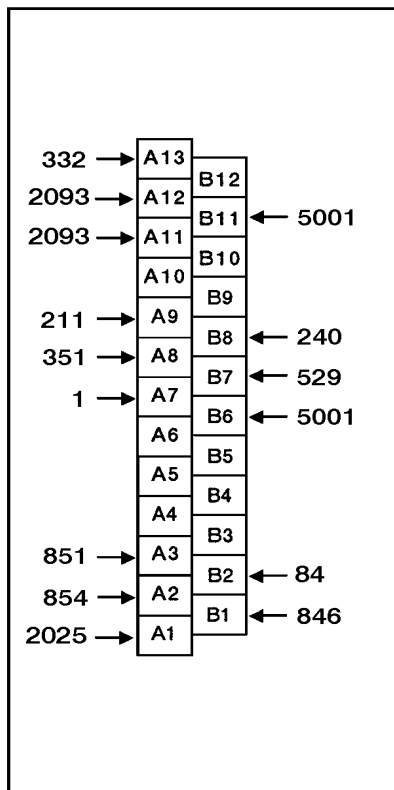
C913/C444



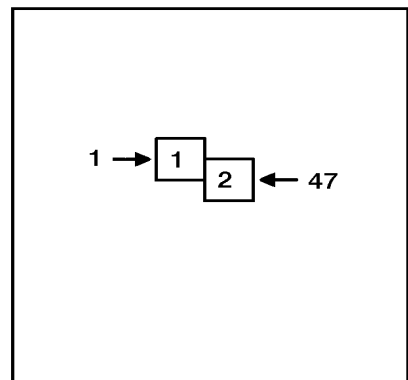
C917



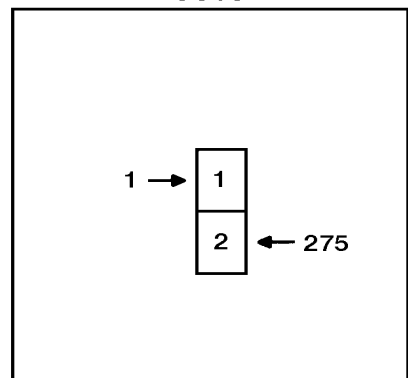
C918/C449



C920



C919

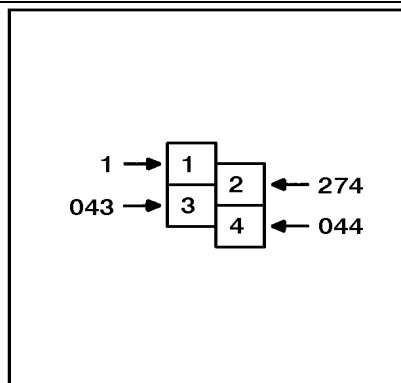


C921

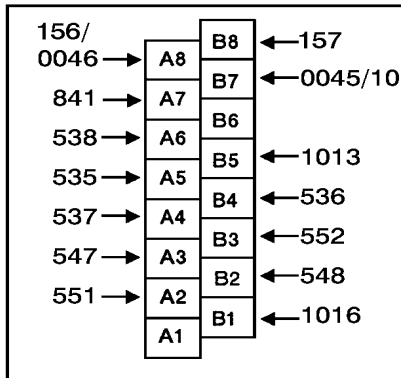
70 0900



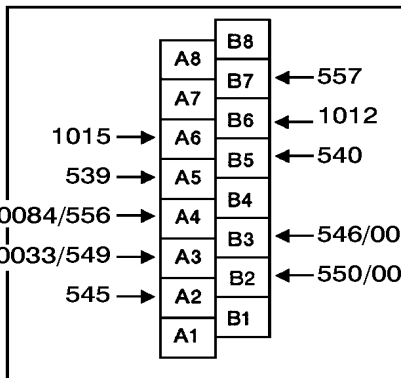
Front end connectors D



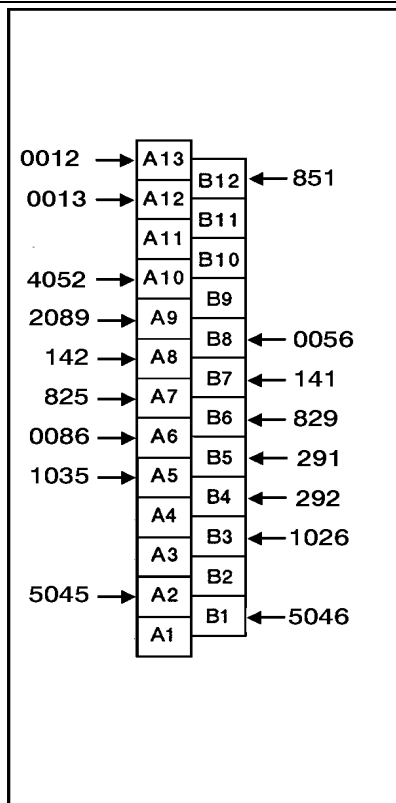
C922



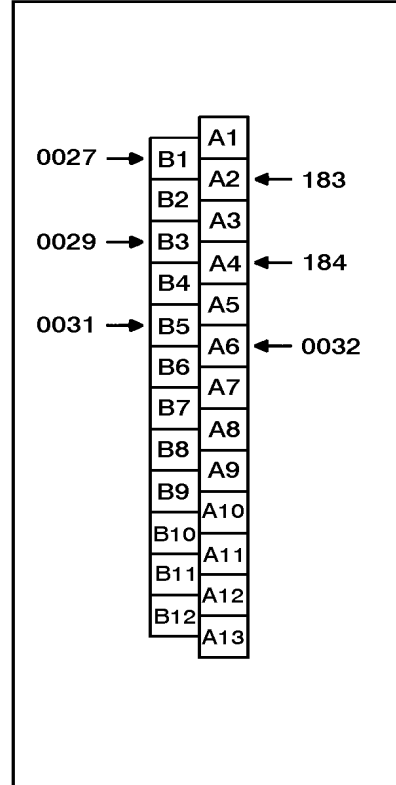
C923



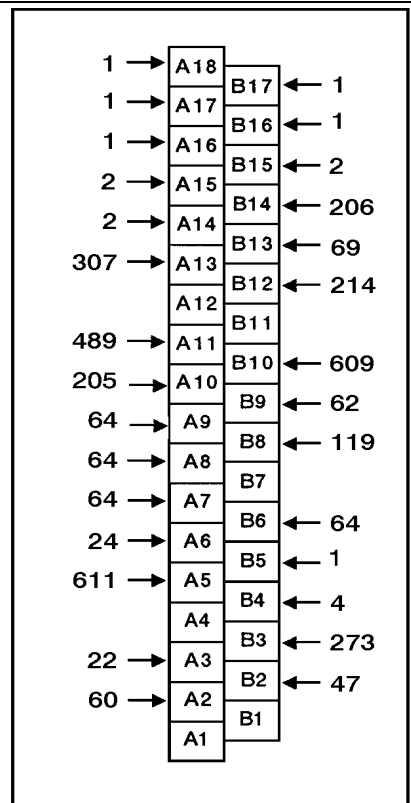
C928



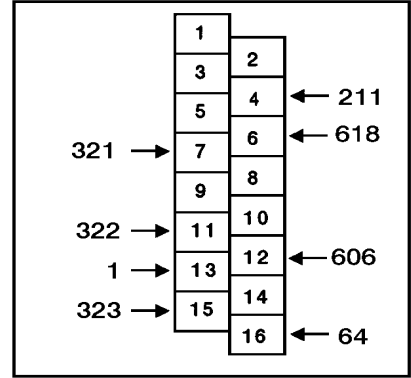
C924



C930



C925



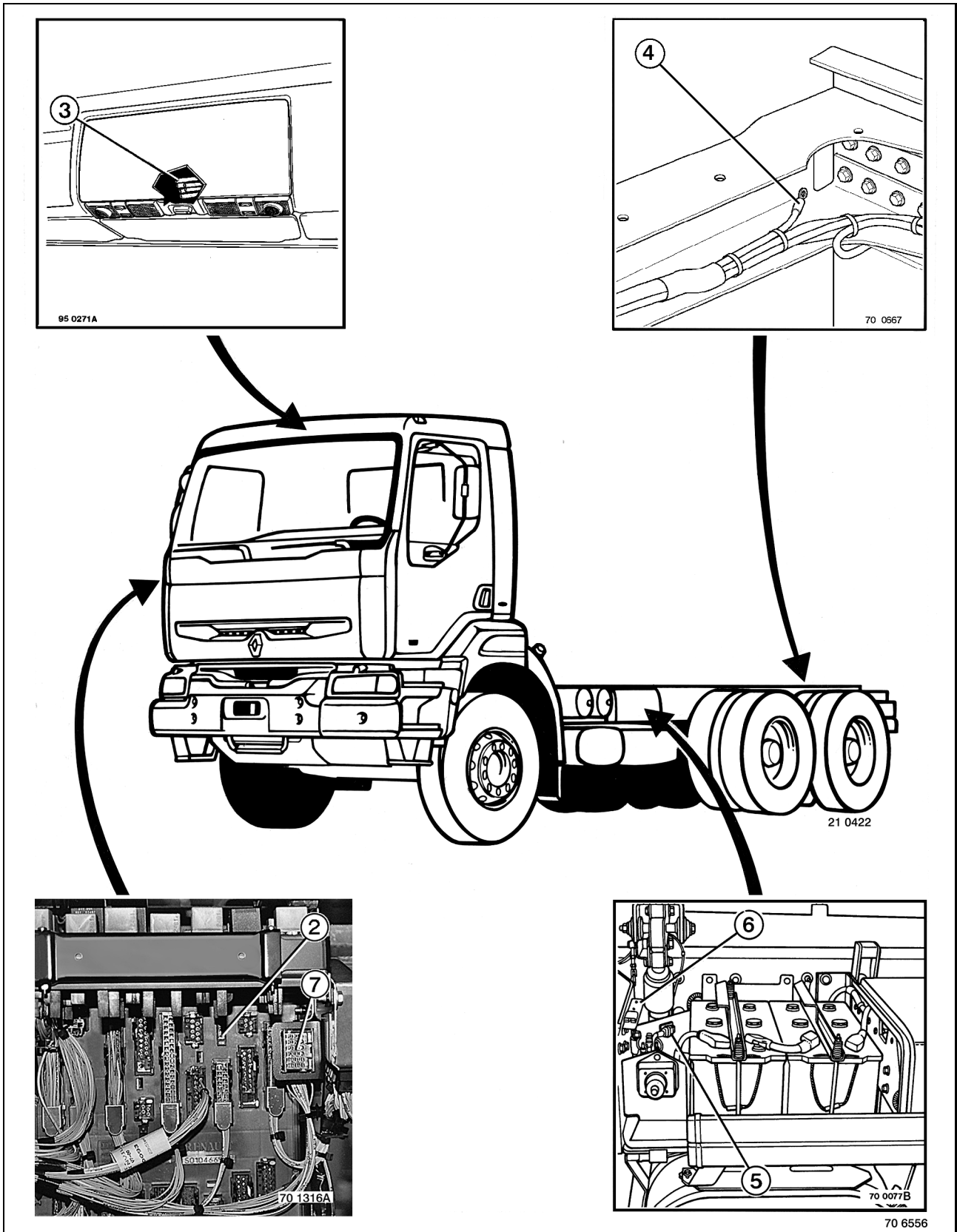
C933

70 0901



**AVAILABLE POWER SUPPLIES**

### Available power supplies



**Available power supplies**

Location 2

**GREY connector**

2 ways (see ways used below)

**Key to appliances**

Name of function	Polarity N°	Fuse item N°	Amperage
Available power supply (vehicle earth)	1	-	-
Available power supply (after ignition)	275	F35	15

Location 3

**6 insulated wires on stand-by****Key to appliances**

Name of function	Polarity N°	Fuse item N°	Amperage
Available power supply (vehicle earth)	1	-	-
Available power supply (lighting)	305	F3	10
Available power supply (CB +)	4000	-	-
Available power supply (CB -)	144	-	-
Available power supply (radiotelephone +)	46	-	-
Available power supply (radiotelephone -)	155	-	-

Location 4

**2 insulated wires on stand-by****Key to appliances**

Name of function	Polarity N°	Fuse item N°	Amperage
Available power supply (vehicle earth)	1	-	-
Available power supply (lighting)	632	F5	10

## Location 5

**BLACK connector**

8 ways (see ways used below)

**Key to appliances**

Name of function	Polarity N°	Fuse item N°	Amperage
Available power supply (vehicle earth)	1	-	-
Available power supply (after master switch)	208	F21	20
Available power supply (after ignition)	275	F35	15
Available power supply (lighting)	632	F5	10

## Location 6

**Electrical socket 150 A****Key to appliances**

Name of function	Polarity N°	Fuse item N°	Amperage
Available power supply (vehicle earth)	1	-	-
Available power supply (before master switch)	201	-	-

## Location 7

**12 insulated wires on stand-by****Key to appliances**

Name of function	Polarity N°	Fuse item N°	Amperage
Available power supply (engine speed)	045	-	-
Available power supply (engine speed)	047	-	-
Available power supply (PTO)	88	-	-
Available power supply (after master switch)	208	F21	20
Available power supply (lighting)	618	F21	20
Available power supply (equipment "working" position "ALERT" warning lamp)	651	-	-
Available power supply (engine speed)	1025	-	-
Available power supply (PTO)	1026	-	-
Available power supply (bodybuilder equipment control)	8083	F21	20
Available power supply (handrail folded "INFORMATION" warning lamp)	8084	-	-
Available power supply (sideboard open "ALERT" warning lamp)	8086	-	-
Available power supply (tipper raised "ALERT" warning lamp)	8087	-	-

Location 7

### Refuse collector (BOM) equipment

#### GREEN connector

18 ways (see ways used below)

#### Key to appliances

Name of function	Polarity N°	Fuse item N°	Amperage
Available power supply (engine speed)	045	-	-
Available power supply (engine speed)	047	-	-
Available power supply (PTO)	88	-	-
Available power supply (after master switch)	208	F21	20
Available power supply (reversing safety braking circuit solenoid valve)	608	F41	10
Available power supply (lighting)	618	F21	20
Available power supply (equipment "working" position "ALERT" warning lamp)	651	-	-
Available power supply (engine speed)	1025	-	-
Available power supply (PTO)	1026	-	-
Available power supply (bodybuilder equipment control)	8083	F21	20
Available power supply (handrail folded "INFORMATION" warning lamp)	8084	-	-
Available power supply (PTO)	818	-	-
Available power supply (reversing safety braking circuit solenoid valve)	5026	-	-
Available power supply (30 km/h speed limitation)	5027	-	-
Available power supply (fast idling)	8067	-	-
Available power supply (sideboard open "ALERT" warning lamp)	8086	-	-
Available power supply (tipper raised "ALERT" warning lamp)	8087	-	-

#### Pre-equipped vehicles

With bodybuilder electrical pre-equipment, tail lift, un refrigerator unit, tipper or crane, a wiring harness connected to location 2, brings the available power supplies to locations 4, 5.





**DEALER NETWORK AND CUSTOMER FOLLOW-UP**

