

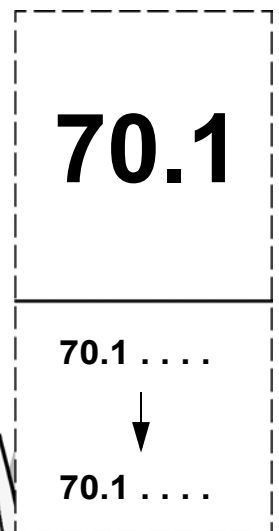
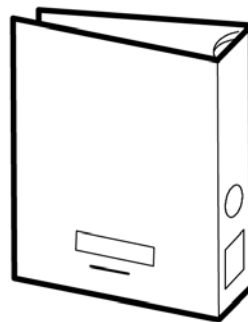
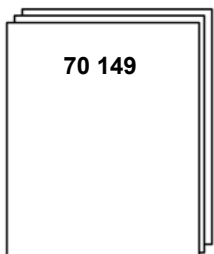
# 70 149 - GB - 08/2005

## ELECTRICS

RANGE	FAMILY	VARIANT
RENAULT PREMIUM DXi 11 EURO 3	27BC - TR 4X2 LC	-
	27JC - TR 6X2 Pusher	
	27RC - PR 6x2	
	27SC - PR 4x2	
	27TC - TR 4x2	



The above information may change in the course of time. Only the "Consult" section of the workshop manuals repertory in standard N° 10320 serves as reference.



## CONTENTS

---

<b>Generalities</b> .....	<b>A-1 → 8</b>
---------------------------	----------------

---

<b>CAN BUS architecture</b> .....	<b>B-1 → 5</b>
-----------------------------------	----------------

---

<b>Electrical diagram</b> .....	<b>C-1 → 141</b>
---------------------------------	------------------

---

<b>Pinpointing of appliances</b> .....	<b>D-1 → 65</b>
--	-----------------

---

<b>Electrical distribution</b> .....	<b>E-1 → 1</b>
— Distribution box .....	E1-2 → 18

---

<b>Trailer sockets</b> .....	<b>F-1 → 3</b>
------------------------------	----------------

---

<b>Available power supplies</b> .....	<b>G-1 → 8</b>
---------------------------------------	----------------

---

<b>Dealer Network and Customer Follow-up</b> .....	<b>H-1 → 2</b>
--	----------------

**GENERALITIES**

## Warnings

In this document, safety instructions are symbolized as follows:



**DANGER! NON-OBSERVANCE OF THE PROCEDURE DESCRIBED OR LACK OF CARE OR ATTENTION, RISK CAUSING SERIOUS INJURY OR EVEN DEATH.**



**WARNING! Any different or inappropriate working method risks causing damage to the product.**

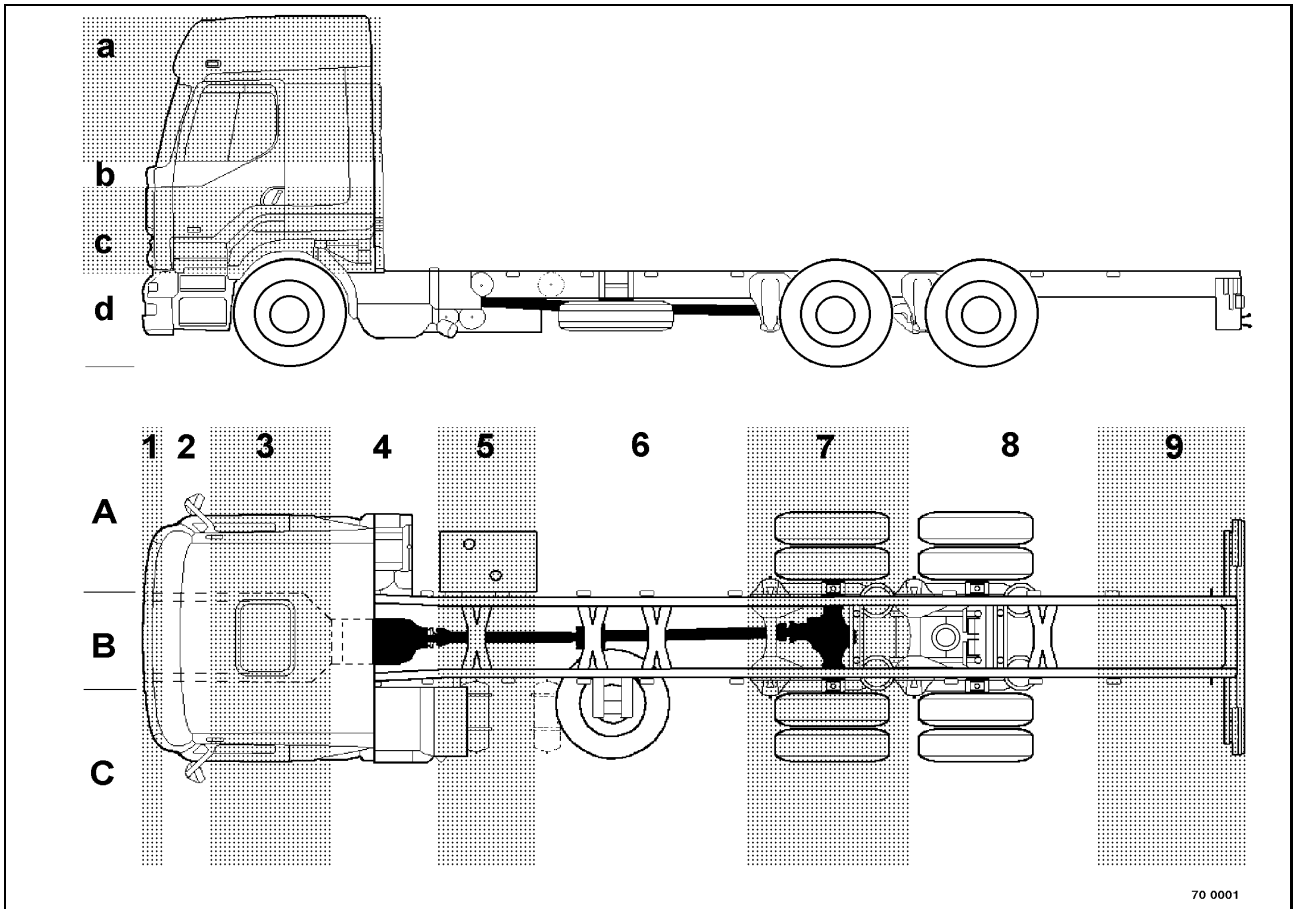


**NOTE! Draws attention to particular or important points of the method.**



**Comply without fail with the regulations in force relative to the recovery and treatment of used parts and waste.**

## Vehicle voluminal breakdown



The vehicle is broken down into several zones each designated by an item number.

Heightwise breakdown

Reserved for the bodywork, 4 zones designated by a small letter

Widthwise breakdown

3 zones designated by a capital letter

A: RH side and RH sidemember

B: Central part

C: LH side and LH sidemember

Lengthwise breakdown:

9 zones designated by a figure.

Zone 7 is specific for **6x4 - 6x6**.

Zone 1 indicates:

- on the chassis, the bumper and the components it supports.

- on the cab, the front end components accessible through the grille

Example:

A1: bumper RH section (headlamps, ...)

C3: LH front wheel (ABS sensor, ...)

C2b: dashboard

A3c: passenger's seat

## How to read the diagrams

### Definition of an illustration

The diagram consists of several plates

The plates are defined in the bottom right-hand corner by:

- A six-figure number, which is the reference number.
- A letter, which is the revision index of the illustration. This letter is to be found on the same line as the reference number.
- A three-figure number, which defines the folio number.

A diagram plate is broken down into **5** zones in the vertical direction.

These zones are identified by letters ranging from **A** to **E**.

### Definitions of symbols used in a diagram

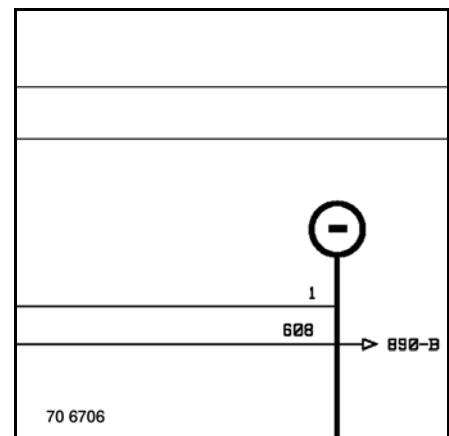
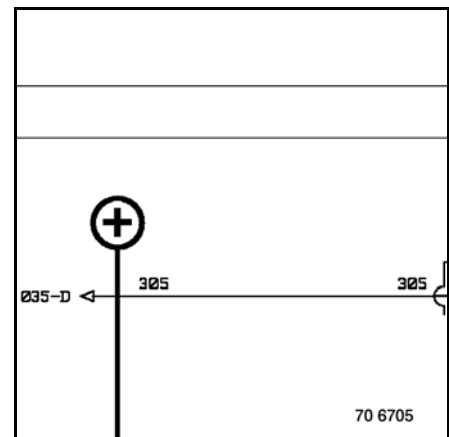
#### Cross-references

The folio coordinates to be found on the left always refer back to a preceding page.

The folio coordinates to be found on the right always refer forward to a following page.

The cross-reference is defined by:

- a 3-figure number that gives information on the order number of the destination folio,
- a letter that gives information on the zone in which the cross-reference is to be found.



### Appliances

Each appliance shown in the diagram is identified by an after-sales code number.

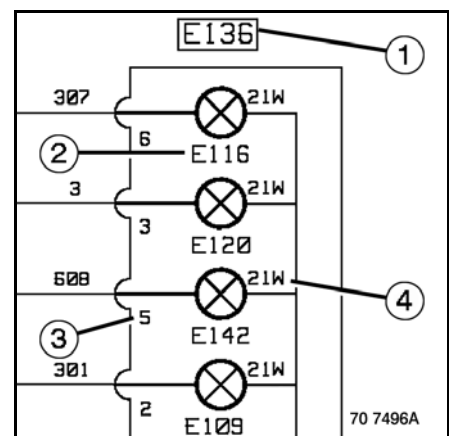
If the after-sales code number is framed (item **(1)** of the illustration opposite), it indicates a single appliance or an assembly comprising several functions.

If the after-sales code number is not framed (item **(2)** of the illustration opposite), it indicates a single appliance. It is then to be found inside the symbol.

Underneath each appliance, we define, wherever possible, the colour and the number of ways of the connector with which it is associated (item **(3)** of the illustration opposite).

All the terminals of each appliance are defined by a numerical or alphanumerical code number, if necessary (item **(4)** of the illustration opposite).

For certain appliances, we define, wherever possible, the power with which it is associated (item **(5)** of the illustration opposite).



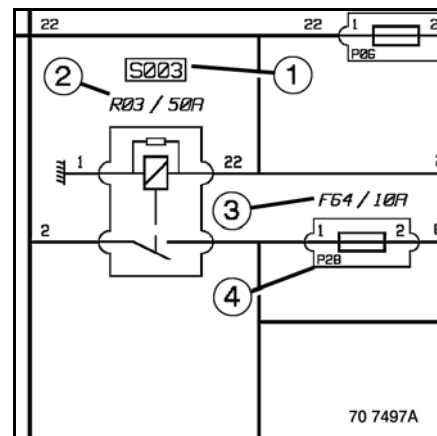
### Fuses and relays

Relays are designated by an after-sales code number (item **(1)** of the illustration opposite).

They are also designated by an alphanumerical code number and by the value of the rated current capable of crossing them (item **(2)** of the illustration opposite).

Fuses are merely designated by an alphanumerical code number and by the value of the rated current capable of crossing them (item **(3)** of the illustration opposite).

The position of a fuse in the electrical distribution box is designated by an alphanumerical code number (item **(4)** of the illustration opposite).



### Polarities

Polarities are identified by a numerical code number.

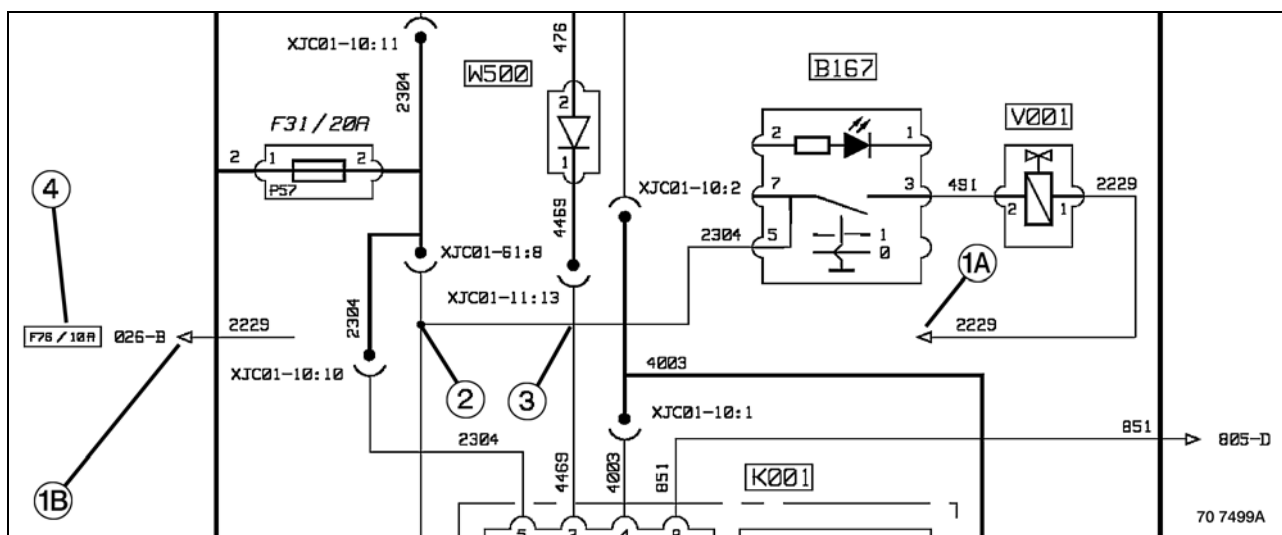
For each function, there is one same, single code number.

Example:

2 = battery "positive" direct current power supply.

1 = earth.

### Graphic conventions



A folio cross-reference can consist of two sections.

The first in a zone of the diagram (item **(1A)** of the illustration above).

The second to the right or left of the zone of the diagram according to its destination (item **(1B)** of the illustration above).

In all cases, both sections are always on the same line.

This principle is applied whenever it makes it possible to avoid polarity crossovers that may prejudice clear legibility of the diagram.

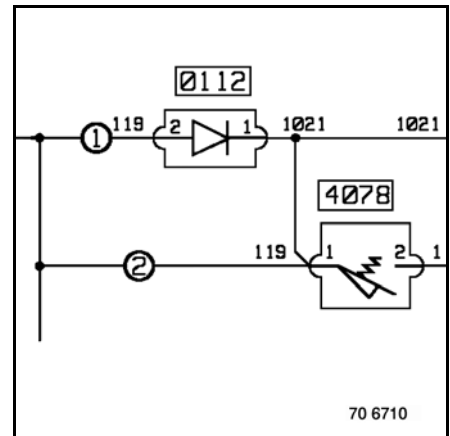
If an intersection is not reinforced by a connection point, the polarities cross over and are distinct **(3)**.

If an intersection is reinforced by a connection point, we have the same level of information on the wires (same potential).

It is possible for extra connection points to be applied to the diagram for legibility reasons (item **(2)** of the illustration above).

When a folio cross-reference points directly to a fuse, that fuse is identified **(4)**.

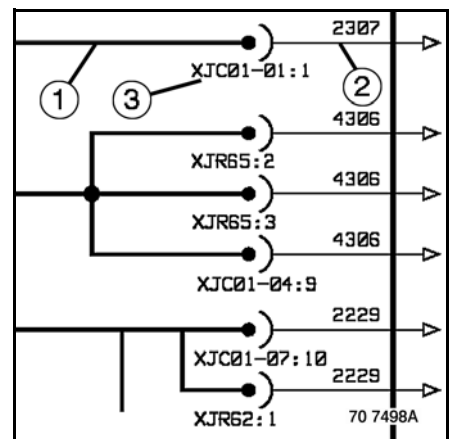
It is possible for a function to have several technical responses. In this case, we call upon the notion of "variant" or "option". This notion is represented by a figure inside a circle. This symbol is placed on the polarity in question. An explanation to be found on the page opposite the diagram describes the possible options. If a folio represents several assemblies, it goes without saying that a vehicle can have only one single option.



The thick line (1) represents a part of the electrical circuit located in the electrical distribution box. The fine line (2) represents a part of the electrical circuit located outside the electrical distribution box. The item (3) represents a connector terminal located in the electrical distribution box.

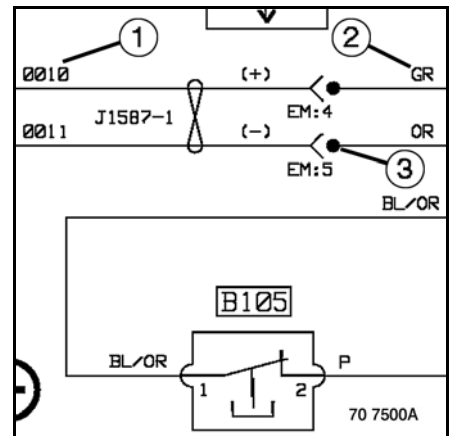
Example with alphanumeric code number XSC01-01:1:

- XSC01-01: connector number;
- 1: connector terminal number.



In the case of wiring harnesses connected to the engine, we have on the one hand an alphanumeric item number (1) and on the other hand a colour identification (2).

EM:4 (3) indicates that the connection is made on the connector "EM" terminal "4".

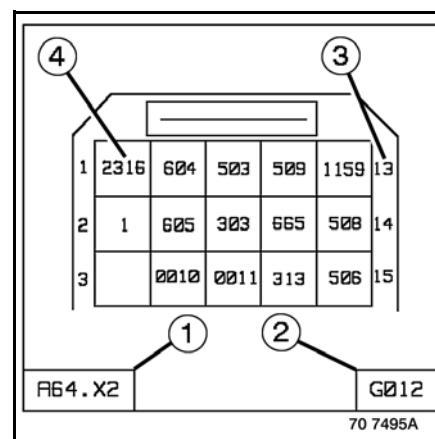




## Wiring harnesses

Presentation of connectors:

- (1): connector number
- (2): code number of appliance to which it is connected
- (3): terminal number
- (4): number of the wire in the terminal



## Colour code applicable to connectors and wires

Each connector features a foolproofing system consisting of a mechanical device and a colour code.

Some wiring harnesses, connected directly to a sub-assembly common to several users, have their polarities identified by a colour code only.

The list below shows the equivalence between an alphabetical code and the colour of the wires or connectors making up a wiring harness.

Colour code	Component colour
SB	Black
BN	Brown
R	Red
OR	Orange
Y	Yellow
GN	Green
BL	Blue
LBL	Light blue
VO	Purple
LVO	Violet
GR	Grey
W	White
P	Pink
NL	Colourless

## Electrical distribution

The cab electrical distribution box contains the majority of the fuses and relays necessary for operation of the vehicle.

The distribution box is symbolized in the electrical diagram by links drawn with bold lines.

The terminals of the distribution box are also represented in the schematic diagram.

Each face of the electrical distribution box is detailed in the "Electrical distribution unit" chapter.

The chassis-cab connection box enables the information to be found inside the cab to cross the bulkhead and be routed to the outside and vice versa.

Each connector of the chassis-cab connection box is detailed in the "Electrical distribution unit" chapter.

## Precautions to be taken when making electrical measurement readings

### Protection of appliances



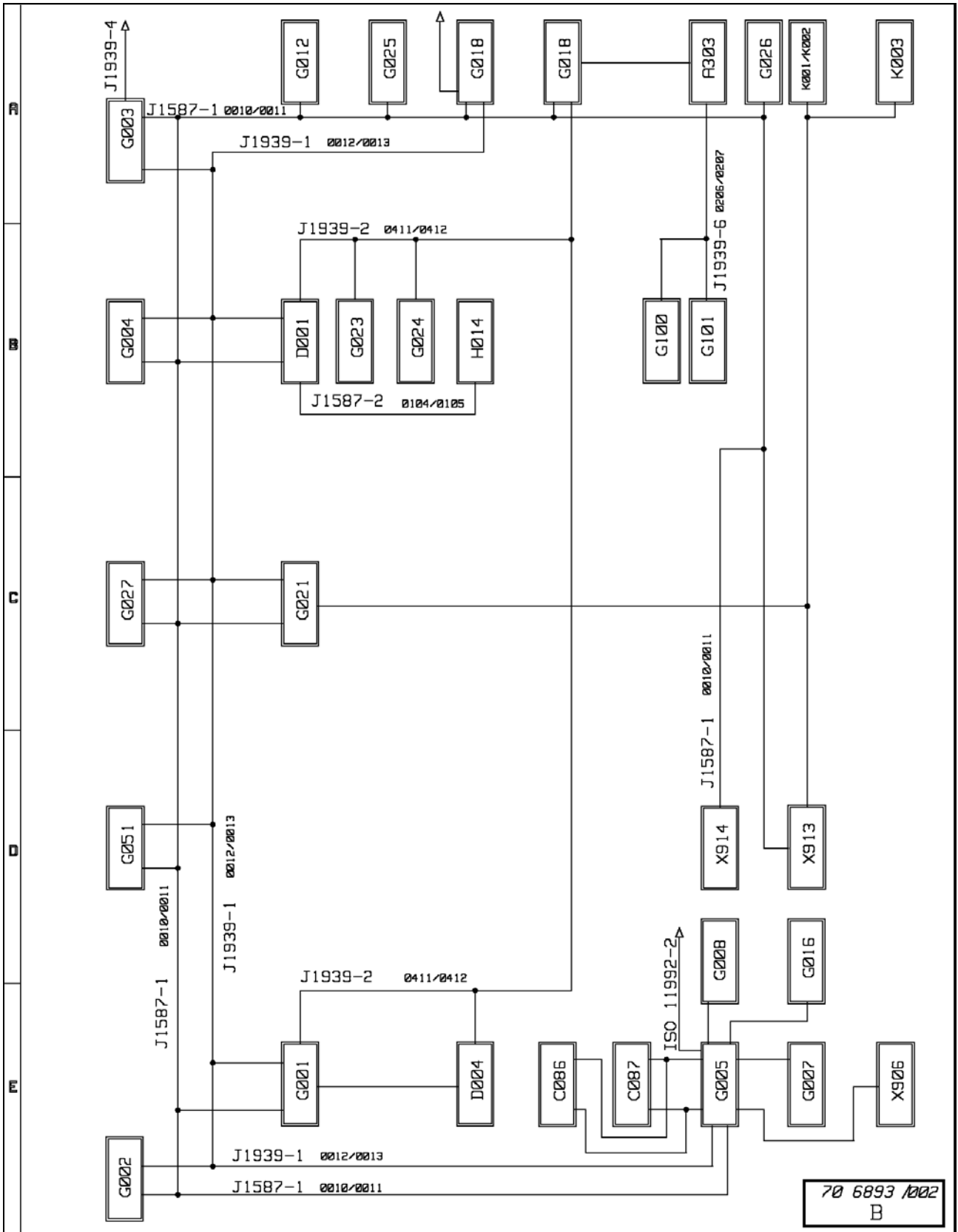
Bearing in mind the presence of numerous electronic appliances, the use of a test lamp is to be avoided. Preferably use a needle or digital type multi-meter.



It is forbidden to apply voltage to the terminals of electronic appliances or you may cause irreparable damage to the hardware. Consequently, no line continuity measurement should be made on the wires without having previously disconnected the appliances from the lines concerned.

**CAN BUS ARCHITECTURE**

Assembly with manual gearbox

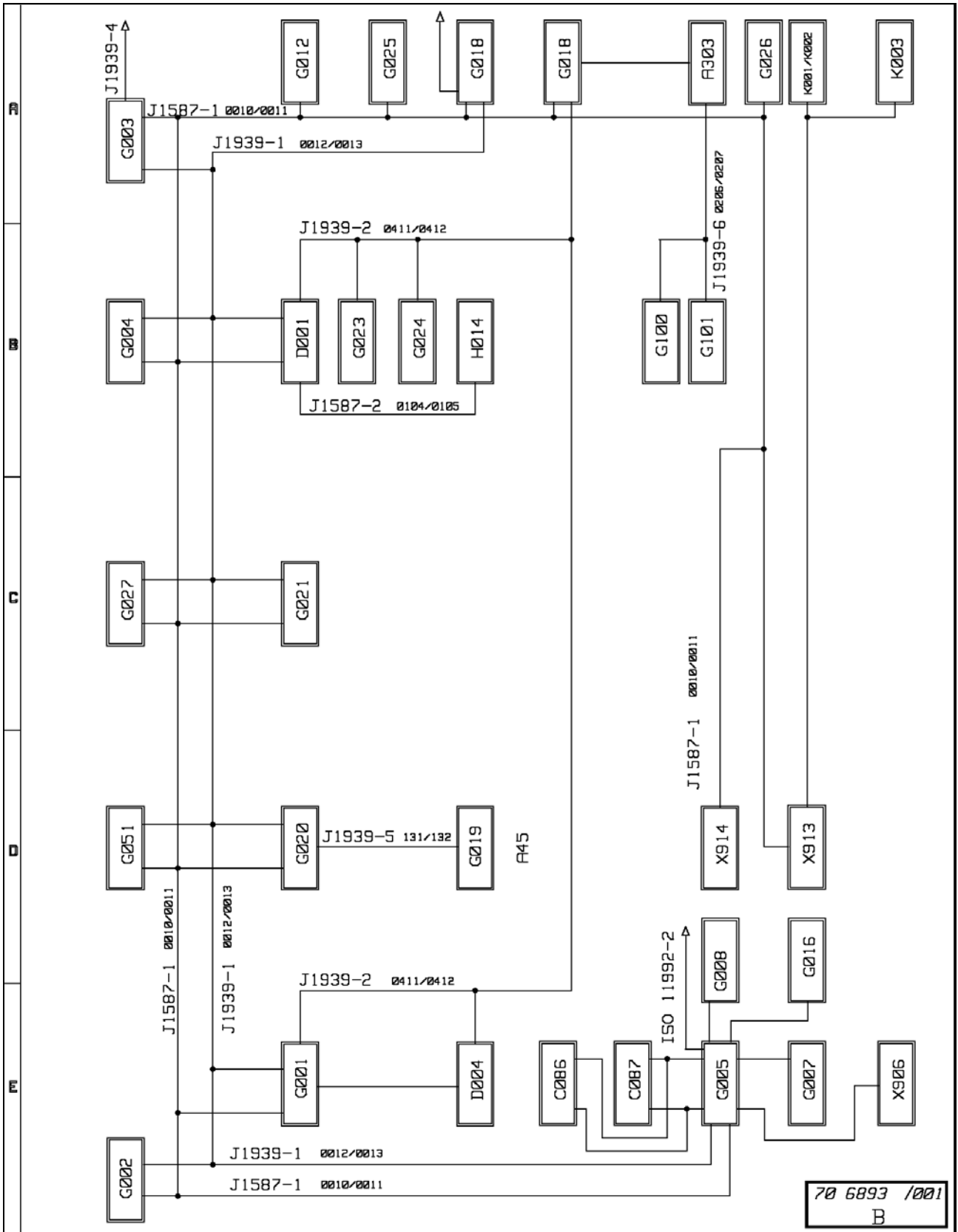


## Assembly with manual gearbox

### Key to appliances

Code	Function name	Location
<b>A303</b>	Pre-arrangement for onboard management (ECU)	B2b
<b>C086</b>	Steering lockover angle sensor	C2c
<b>C087</b>	Chassis lateral acceleration sensor	B6d
<b>D001</b>	Principal information display	C2b
<b>D004</b>	Tachograph	C2a
<b>G001</b>	Vehicle management ECU	A2b
<b>G002</b>	Engine management ECU	B3b
<b>G003</b>	Bodybuilder pre-arrangement management ECU	A2b
<b>G004</b>	Air suspension ECU	A2b
<b>G005</b>	EBS braking management ECU	A2b
<b>G007</b>	Front axle braking assistance modulator unit	B3d
<b>G008</b>	Drive axle braking assistance modulator unit	B7d
<b>G012</b>	Lighting and signalling management ECU	A2b
<b>G016</b>	Second rear axle braking assistance modulator unit	B7d
<b>G018</b>	FMS - GATEWAY management ECU	B2b
<b>G021</b>	Hydraulic retarder ECU	A2b
<b>G023</b>	Front proximity detection ECU	-
<b>G024</b>	Rear proximity detection ECU	-
<b>G025</b>	Engine immobilizer ECU	B2b
<b>G026</b>	Alarm ECU	C2a
<b>G027</b>	Piloted axle ECU	A2b
<b>G051</b>	Air production management ECU	C4d
<b>G100</b>	Datamax gateway ECU	-
<b>G101</b>	Communicator satellite ECU	-
<b>H014</b>	Radio set	C2a
<b>K001</b>	Air/water add-on heater	A4c
<b>K002</b>	Air/air add-on heater	A4c
<b>K003</b>	Air conditioning ECU	B2c
<b>X913</b>	Vehicle diagnostic socket	C2c
<b>X914</b>	Vehicle data extraction socket	C2c
<b>X906</b>	ABS/EBS trailer socket	B9b

Assembly with automatic transmission



## Assembly with automatic transmission

### Key to appliances

Code	Function name	Location
<b>A303</b>	Pre-arrangement for onboard management (ECU)	B2b
<b>C086</b>	Steering lockover angle sensor	C2c
<b>C087</b>	Chassis lateral acceleration sensor	B6d
<b>D001</b>	Principal information display	C2b
<b>D004</b>	Tachograph	C2a
<b>G001</b>	Vehicle management ECU	A2b
<b>G002</b>	Engine management ECU	B3b
<b>G003</b>	Bodybuilder pre-arrangement management ECU	A2b
<b>G004</b>	Air suspension ECU	A2b
<b>G005</b>	EBS braking management ECU	A2b
<b>G007</b>	Front axle braking assistance modulator unit	B3d
<b>G008</b>	Drive axle braking assistance modulator unit	B7d
<b>G012</b>	Lighting and signalling management ECU	A2b
<b>G016</b>	Second rear axle braking assistance modulator unit	B7d
<b>G018</b>	FMS - GATEWAY management ECU	B2b
<b>G019</b>	Gear selector ECU	A2b
<b>G020</b>	Automatic transmission ECU	B3c
<b>G021</b>	Hydraulic retarder ECU	A2b
<b>G023</b>	Front proximity detection ECU	-
<b>G024</b>	Rear proximity detection ECU	-
<b>G025</b>	Engine immobilizer ECU	B2b
<b>G026</b>	Alarm ECU	C2a
<b>G027</b>	Piloted axle ECU	A2b
<b>G051</b>	Air production management ECU	C4d
<b>G100</b>	Datamax gateway ECU	-
<b>G101</b>	Communicator satellite ECU	-
<b>H014</b>	Radio set	C2a
<b>K001</b>	Air/water add-on heater	A4c
<b>K002</b>	Air/air add-on heater	A4c
<b>K003</b>	Air conditioning ECU	B2c
<b>X913</b>	Vehicle diagnostic socket	C2c
<b>X914</b>	Vehicle data extraction socket	C2c
<b>X906</b>	ABS/EBS trailer socket	B9b





**ELECTRICAL DIAGRAM**

## List of "appliance" code numbers

### Key to appliances

Code	Function name	Location
A001	Cab electrical distribution box	006
A004	Batteries	010/012
A006	Electrically controlled master switch	010
A007	Manually controlled master switch	010
A009	Alternator	010/012
A011	Voltage converter (24 / 12V) for information technology pack	074
A012	Voltage converter (24 / 12V - 10A) for audio communication system	075
A013	Voltage converter (24 / 12V - 15A) for audio communication system	075
A014	Power fuse box unit (FM1 to FM4)	010/012
A020	Voltage converter (24V / 12V) - 12 and 24 Volts integrated sockets	074
A200	Available power supply (insulated cut wires)	901
A201	Available power supply (vehicle earth)	900/901
A204	Available power supply (after master switch)	900/901
A205	Available power supply (after ignition)	900
A212	Available power supply (engine speed)	902
A213	Available power supply (PTO 1)	900
A219	Available power supply (radio-telephone +)	075
A220	Available power supply (radio-telephone -)	075
A226	Available power supply (CB -)	075
A227	Available power supply (CB +)	075
A229	Available power supply (bodybuilder equipment control)	901
A230	Available power supply (equipment in road position warning light)	901
A231	Available power supply (equipment in working position warning light)	901
A240	Available power supply (lighting)	901
A246	Available power supply (PTO 1 control)	900
A247	Available power supply at alternator (engine running information)	900
A248	Available power supply at alternator (engine speed information)	900
A249	Available power supply (corrected tachograph speed information)	900
A250	Available power supply (PTO 2 control)	902
A251	Available power supply (PTO 2 warning light)	902
A252	Available power supply (PTO 2 solenoid valve piloting)	902
A253	Available power supply (reverse gear information)	900
A254	Available power supply (parking brake information)	900
A255	Available power supply (gearbox neutral information)	900
A256	Available power supply (EGSP request for information)	900
A257	Available power supply (engine speed selection N° 1)	900
A258	Available power supply (engine speed selection N° 2)	900
A259	Available power supply (engine speed acceleration request)	900
A260	Available power supply (engine speed deceleration request)	900
A261	Available power supply (reverse forbidding inhibition)	901
A270	Available power supply (automatic return to main engine speed)	900
A280	Available power supply (low speed)	900
A281	Available power supply (engine stop control)	900/901
A282	Available power supply (engine start control)	902
A283	Available power supply (engine starting information)	902

<b>A284</b>	Available power supply (engine alert)	902
<b>A285</b>	Available power supply (parameter definable frequency-related output)	902
<b>A286</b>	Available power supply (PLC 2 min. output)	902
<b>A287</b>	Available power supply (PLC 1 min. output)	902
<b>A288</b>	Available power supply (PLC 1 min. input)	902
<b>A289</b>	Available power supply (PLC 2 min. input)	902
<b>A290</b>	Available power supply (high level CAN bus J1939)	902
<b>A291</b>	Available power supply (low level CAN bus J1939)	902
<b>A294</b>	Available power supply (LH rear marker lights)	900
<b>A295</b>	Available power supply (RH rear marker lights)	900
<b>A297</b>	Available power supply (night lighting)	901
<b>A311</b>	Available power supply (PTO N° 1 engaged information)	900
<b>A312</b>	Available power supply (equipment in dangerous position)	901
<b>A313</b>	Available power supply (CAN bus disabling)	902
<b>A314</b>	Available power supply (engine speed set-point validation)	902
<b>A315</b>	Available power supply (PTO 3 solenoid valve piloting)	902
<b>A317</b>	Available power supply (PTO 3 control)	902
<b>A318</b>	Available power supply (PTO 3 warning light)	902
<b>A319</b>	Available power supply (suspension level control)	901
<b>A320</b>	Available power supply (suspension level control actuation)	901
<b>A321</b>	Available power supply (6 km/h limitation)	901
<b>A322</b>	Available power supply (30 km/h limitation)	901
<b>A323</b>	Available power supply (alarm stopping)	901
<b>A324</b>	Available power supply (rigid perimetric protection module)	900
<b>A325</b>	Available power supply (independent heating cut-off)	901
<b>B001</b>	Air suspension remote control	150/152/154
<b>B002</b>	Air suspension 'up' position remote control	150
<b>B003</b>	Air suspension 'down' position remote control	150
<b>B004</b>	Air suspension memorized position remote control	150
<b>B026</b>	Automatic transmission gear selector	120/122
<b>B103</b>	Key switch unit	010/012
<b>B105</b>	Engine stop control	610
<b>B106</b>	Hazard lights control	050
<b>B108</b>	Revolving beacons control	059
<b>B111</b>	Horn control	059
<b>B113</b>	Side/parking lights control	020
<b>B116</b>	Doors locking control	750
<b>B117</b>	Sun-roof opening / closing control (on dashboard)	060
<b>B118</b>	Swivelling rearview mirrors and alarm siren adjustment control	064
<b>B119</b>	Rearview mirrors and windscreen defrosting control	064
<b>B125</b>	Radio set control	851
<b>B126</b>	Driver's window winder motor control (driver side)	060
<b>B127</b>	Front passenger window winder motor control (front passenger side)	060
<b>B130</b>	Front passenger window winder motor control (driver side)	060
<b>B133</b>	Add-on heater timer control	090/092/094
<b>B134</b>	Pull-down display menu control	851
<b>B135</b>	Cruise control and engine speed regulator actuating control	602
<b>B136</b>	Cruise control and engine speed regulator adjustment control	602/604

<b>B137</b>	Windscreen wash control	052
<b>B138</b>	Windscreen wipers control	052
<b>B139</b>	Windscreen / headlamps wash/wipe control	052
<b>B140</b>	Dipped beam headlights control	050
<b>B141</b>	Main beam headlights control	032
<b>B142</b>	Headlamps ride corrector control	057
<b>B143</b>	Steering wheel fingertip controls N° 1	020/032/050/059/851
<b>B144</b>	Long range driving lights control	057
<b>B145</b>	Fog driving lights control	032
<b>B146</b>	Fog lights control	032
<b>B148</b>	Working lights control	059
<b>B151</b>	Reversing buzzer inhibition control	055
<b>B155</b>	Electric or hydraulic retarder control	604
<b>B159</b>	Engine speed set-point control for difficult terrain	604
<b>B162</b>	Cab tilting control	604
<b>B163</b>	Alarm anti-panic control	702
<b>B164</b>	Rear wheels diff. lock control	100
<b>B165</b>	Second rear axle lift-up control	154
<b>B167</b>	Cab add-on heater control	090/092/094
<b>B168</b>	Traction control enabling control	104
<b>B169</b>	Trailer brake holding enabling control	105
<b>B170</b>	Cab emergency stop control	015
<b>B171</b>	Chassis emergency stop control	015
<b>B172</b>	Alarm siren sound level reduction control	702
<b>B175</b>	Pre-arrangement for bodybuilder N° 1 control	901
<b>B176</b>	Pre-arrangement for bodybuilder N° 2 control	901
<b>B177</b>	PTO N° 1 engagement request control (in cab)	604
<b>B181</b>	Direction indicator control	050
<b>B182</b>	Auto/manual selection control	604
<b>B183</b>	Fuel water bleed control	602
<b>B184</b>	Axle load-shedding activation control	154
<b>B185</b>	PTO N° 2 engagement request control (in cab)	605
<b>B186</b>	Brake holding enabling control	104
<b>B187</b>	Inter-axle diff. lock control	100
<b>B188</b>	Front wheels diff. lock control	100
<b>B189</b>	Selection control	100
<b>B191</b>	Transfer box diff. lock control	100
<b>B192</b>	Transfer box neutral engagement control	605
<b>B194</b>	Overhead lighting control (ambience)	070
<b>B197</b>	Coolant circuit solenoid valve control	092
<b>B198</b>	Fast idling actuation control	602
<b>B199</b>	Fast idling adjustment control	602
<b>C001</b>	LH front wheel brake linings wear sensor	103
<b>C002</b>	RH front wheel brake linings wear sensor	103
<b>C005</b>	Lift-up axle or second rear axle LH wheel brake linings wear sensor	103
<b>C006</b>	Lift-up axle or second rear axle RH wheel brake linings wear sensor	103
<b>C007</b>	LH front wheel speed sensor	103
<b>C008</b>	RH front wheel speed sensor	103
<b>C011</b>	Lift-up axle or second rear axle LH wheel speed sensor	103

<b>C012</b>	Lift-up axle or second rear axle RH wheel speed sensor	103
<b>C013</b>	Driver's door open position information sensor	702
<b>C014</b>	Passenger's front door open position information sensor	702
<b>C019</b>	Turbocharging air pressure and temperature sensor	610
<b>C020</b>	Turbocharging air temperature sensor	610
<b>C021</b>	Turbocharging air pressure sensor	610
<b>C022</b>	Engine oil level sensor	610
<b>C023</b>	Engine oil pressure sensor	612
<b>C024</b>	Engine oil level and pressure sensor unit	610
<b>C025</b>	3-level air conditioning pressure sensor	079
<b>C027</b>	Low level air conditioning pressure sensor	079
<b>C028</b>	High level air conditioning pressure sensor	079
<b>C029</b>	Intermediate level air conditioning pressure sensor	079
<b>C030</b>	Rear inter-axle diff. lock engaged sensor	100
<b>C031</b>	Front inter-axle diff. lock engaged sensor	100
<b>C033</b>	Transfer box inter-axle diff. lock position sensor	100
<b>C035</b>	PTO N° 1 engaged position information sensor	602
<b>C036</b>	PTO N° 2 engaged position information sensor	605
<b>C038</b>	Drive axle suspension RH position sensor	150/152/154
<b>C039</b>	Drive axle suspension LH position sensor	150/152/154
<b>C045</b>	Internal temperature sensor	092
<b>C046</b>	External temperature sensor	850
<b>C048</b>	Engine cooling circuit temperature sensor	612
<b>C051</b>	Fuel level sensor	850
<b>C053</b>	Stop lights switch	102/602
<b>C054</b>	Air filter clogging sensor	850
<b>C056</b>	Tachograph speed sensor	800
<b>C057</b>	Neutral position sensor	602
<b>C058</b>	Reverse gear engaged position sensor	602
<b>C059</b>	Retarder oil temperature sensor	120
<b>C060</b>	Retarder coolant temperature sensor	204
<b>C061</b>	Front axle suspension position sensor	152/154
<b>C062</b>	Clutch position sensor	120
<b>C064</b>	Retarder air pressure sensor	120
<b>C066</b>	Retarder coolant temperature sensor	120
<b>C067</b>	Flywheel speed sensor	610
<b>C068</b>	Camshaft engine speed sensor	610
<b>C070</b>	PTO N° 3 engaged position information sensor	605
<b>C071</b>	Alarm ultra-sonic transmitter sensor	702
<b>C072</b>	Alarm ultra-sonic receiver sensor	702
<b>C079</b>	Trailer braking assistance pressure system sensor	105
<b>C084</b>	Engine oil temperature sensor	610
<b>C086</b>	Steering lockover angle sensor	104
<b>C087</b>	Chassis lateral acceleration sensor	104
<b>C088</b>	Engine coolant level sensor	612
<b>C090</b>	Add-on heater temperature sensor	094
<b>C096</b>	Range change selector pressure sensor	610
<b>C109</b>	Water in fuel sensor	612
<b>C110</b>	Parking brake indicator pressure sensor	105

<b>C111</b>	Accelerator pedal position sensor	602
<b>C112</b>	Accelerator pedal "rest" position sensor N° 2	602
<b>C113</b>	Accelerator pedal rest position sensor	602
<b>C114</b>	Accelerator pedal sensor unit	602
<b>C115</b>	Lift-up air spring pressure sensor	154
<b>C116</b>	Middle axle suspension air pressure sensor	154
<b>C117</b>	Front air spring pressure sensor	152/154
<b>C118</b>	Drive axle suspension LH pressure sensor	150/152/154
<b>C119</b>	Drive axle suspension RH pressure sensor	150/152/154
<b>C120</b>	Piloted axle oil level sensor	110
<b>C121</b>	Piloted axle lockover angle sensor	110
<b>C122</b>	Piloted axle lockover angle sensor	110
<b>C123</b>	LH rear wheel brake linings wear sensor (drive axle N° 1)	103/850
<b>C124</b>	RH rear wheel brake linings wear sensor (drive axle N° 1)	103/850
<b>C125</b>	LH rear wheel brake linings wear sensor (drive axle N° 2)	103/850
<b>C126</b>	RH rear wheel brake linings wear sensor (drive axle N° 2)	103/850
<b>C130</b>	Clutch pedal position sensor	602
<b>C132</b>	Engine boost pressure sensor	612
<b>C133</b>	Engine cooling fan speed sensor	610
<b>C134</b>	Brake pedal sensor unit	102/602
<b>C135</b>	Brake pedal position copying sensor	102
<b>C136</b>	Gearbox "low speed" position sensor	100
<b>C140</b>	LH front wheel brake linings wear sensor (drive axle or axle N° 2)	103/850
<b>C141</b>	RH front wheel brake linings wear sensor (drive axle or axle N° 2)	103/850
<b>C142</b>	LH front wheel brake linings wear sensor (drive axle or axle N° 1)	103/850
<b>C143</b>	RH front wheel brake linings wear sensor (drive axle or axle N° 1)	103/850
<b>C144</b>	LH front wheel speed sensor (drive axle or axle N° 1)	103
<b>C145</b>	RH front wheel speed sensor (drive axle or axle N° 1)	103
<b>C146</b>	LH front wheel speed sensor (drive axle or axle N° 2)	103
<b>C147</b>	RH front wheel speed sensor (drive axle or axle N° 2)	103
<b>C150</b>	Engine block inside pressure sensor	612
<b>C151</b>	LH rear wheel speed sensor (drive axle N° 1)	103
<b>C152</b>	RH rear wheel speed sensor (drive axle N° 1)	103
<b>C153</b>	LH rear wheel speed sensor (drive axle N° 2)	103
<b>C154</b>	RH rear wheel speed sensor (drive axle N° 2)	103
<b>D001</b>	Principal information display	006/007/008/850/851
<b>D004</b>	Tachograph	008/800
<b>D006</b>	Vehicle hour-meter	026
<b>D018</b>	Battery charge warning light	851
<b>D021</b>	Fuel preheating warning light	851
<b>D026</b>	Fog lights warning light	850
<b>D039</b>	Main beam headlights warning light	851
<b>D041</b>	Fog driving lights warning light	851
<b>D045</b>	Extra signalling lights warning light	851
<b>D047</b>	Fuel level warning light	850
<b>D059</b>	Brake pads wear warning light	850
<b>D065</b>	Air filter clogging warning light	850
<b>D067</b>	Inter-wheel diff. lock warning light	850
<b>D077</b>	Equipment in unlocked position warning light	850

<b>D081</b>	Trailer brake pads wear warning light	851
<b>D082</b>	Equipment in service information tell-tale light	850
<b>D083</b>	Equipment in dangerous position information tell-tale light	850
<b>D084</b>	Equipment lighting information tell-tale light	850
<b>E008</b>	Driver's side single overhead light	069
<b>E010</b>	Front passenger's side single overhead light	069
<b>E012</b>	RH upper overhead lighting (door)	070
<b>E025</b>	Driver's reading spotlight	069
<b>E026</b>	Front passenger's reading spotlight	069
<b>E028</b>	Driver's overhead light / reading spotlight unit	069
<b>E029</b>	Passenger's overhead light / reading spotlight unit	069
<b>E030</b>	Tool compartment light	070
<b>E031</b>	Front grille lighting	070
<b>E032</b>	Bottom bunk overhead lighting	070
<b>E033</b>	LH upper overhead lighting (door)	070
<b>E034</b>	LH overhead lighting (ambience)	070
<b>E035</b>	RH overhead lighting (ambience)	070
<b>E036</b>	Top bunk overhead lighting	070
<b>E100</b>	RH front direction change indicator lights	057
<b>E101</b>	LH front direction change indicator lights	057
<b>E102</b>	Driver's side stepwell lighting	069
<b>E103</b>	Front passenger's side stepwell lighting	069
<b>E104</b>	Roof RH front direction change indicator lights	053
<b>E105</b>	Roof LH front direction change indicator lights	053
<b>E109</b>	RH rear direction change indicator lights	055
<b>E110</b>	LH rear direction change indicator lights	055
<b>E114</b>	Revolving beacon N° 1	059
<b>E115</b>	Revolving beacon N° 2	059
<b>E116</b>	RH rear fog light	055
<b>E117</b>	LH rear fog light	055
<b>E119</b>	LH stop lights	055
<b>E120</b>	RH stop lights	055
<b>E122</b>	RH clearance light N° 1	053
<b>E123</b>	RH clearance light N° 2	053
<b>E124</b>	LH front side/parking lights	057
<b>E125</b>	RH front side/parking lights	057
<b>E128</b>	LH clearance lights N° 3	053
<b>E129</b>	LH clearance lights N° 4	053
<b>E131</b>	RH clearance lights N° 3	053
<b>E132</b>	RH clearance lights N° 4	053
<b>E133</b>	LH clearance lights N° 1	053
<b>E134</b>	LH clearance lights N° 2	053
<b>E135</b>	LH tail lights unit	055
<b>E136</b>	RH tail lights unit	055
<b>E137</b>	RH rear side/parking lights	055
<b>E138</b>	LH rear side/parking lights	055
<b>E141</b>	LH reversing lights	055
<b>E142</b>	RH reversing lights	055
<b>E144</b>	Roof LH side/parking lights	053

<b>E145</b>	Roof LH side/parking lights	053
<b>E149</b>	Sunshade-mounted LH marker lights	053
<b>E150</b>	Sunshade-mounted RH marker lights	053
<b>E500</b>	RH dipped beam headlight	057
<b>E501</b>	LH dipped beam headlight	057
<b>E502</b>	RH main beam headlight	057
<b>E503</b>	LH dipped beam headlight	057
<b>E504</b>	RH headlamp insert	057
<b>E505</b>	LH headlamp insert	057
<b>E506</b>	LH fog driving light	057
<b>E507</b>	RH fog driving light	057
<b>E508</b>	RH long range driving light	057
<b>E509</b>	LH long range driving light	057
<b>E510</b>	Working spotlight	059
<b>G001</b>	Vehicle management ECU	006/007/008/602/604
<b>G002</b>	Engine management ECU	006/007/610/612
<b>G003</b>	Bodybuilder pre-arrangement management ECU	006/007/605
<b>G004</b>	Air suspension ECU	006/007/150/152/154
<b>G005</b>	EBS braking management ECU	006/007/102/103/104/105
<b>G006</b>	Vehicle power supply management ECU (ADR)	015
<b>G007</b>	Front axle braking assistance modulator unit	103
<b>G008</b>	Drive axle braking assistance modulator unit	103
<b>G012</b>	Lighting and signalling management ECU	006/050
<b>G016</b>	Second rear axle braking assistance modulator unit	103
<b>G017</b>	Cab temperature regulation ECU	092
<b>G018</b>	FMS - GATEWAY management ECU	006/007/008/940/941
<b>G019</b>	Gear selector ECU	006/007/120
<b>G020</b>	Automatic transmission ECU	006/007/120/122
<b>G021</b>	Hydraulic retarder ECU	007/204
<b>G025</b>	Engine immobilizer ECU	006/750
<b>G026</b>	Alarm ECU	006/702
<b>G027</b>	Piloted axle ECU	006/007/110
<b>G028</b>	Doors central locking ECU	750
<b>G029</b>	Automatic transmission sensors / actuators unit	122
<b>G051</b>	Air production management ECU	006/007/040
<b>G102</b>	Onboard management ECU	940/941
<b>G104</b>	Tyre pressures monitoring ECU	110
<b>H001</b>	Engine immobilizer antenna	750
<b>H002</b>	Radio set antenna	075
<b>H011</b>	LH front loudspeaker	075
<b>H012</b>	RH front loudspeaker	075
<b>H014</b>	Radio set	075
<b>H015</b>	Radio-telephone set	075
<b>H016</b>	CD player	075
<b>H017</b>	CB radio	075
<b>J001</b>	Cigar lighter	074
<b>J002</b>	RH heated seat unit	074
<b>J003</b>	LH heated seat unit	074
<b>J006</b>	Refrigerated compartment	074



<b>J007</b>	Refrigerator	074
<b>K001</b>	Air/water add-on heater	092
<b>K002</b>	Air/air add-on heater	090/094
<b>K003</b>	Air conditioning ECU	079
<b>L004</b>	External horn	055
<b>L006</b>	Alarm siren	702
<b>L008</b>	Electric horn	059
<b>M002</b>	Starter	010/012
<b>M020</b>	Windscreen wipers drive motor	052
<b>M021</b>	Windscreen wash pump motor	052
<b>M022</b>	Headlamps wash pump motor	052
<b>M023</b>	LH headlamp ride correction motor	057
<b>M024</b>	RH headlamp ride correction motor	057
<b>M056</b>	Driver's door window winder motor	060
<b>M057</b>	Front passenger's door window winder motor	060
<b>M060</b>	Electric roof air vent motor	060
<b>M080</b>	RH rearview mirror horizontal swivelling motor	064
<b>M081</b>	RH rearview mirror vertical swivelling motor	064
<b>M082</b>	LH rearview mirror horizontal swivelling motor	064
<b>M083</b>	LH rearview mirror vertical swivelling motor	064
<b>M102</b>	Cab tilting motor	604
<b>M200</b>	Air conditioning compressor electric clutch	079
<b>M203</b>	Add-on heater fuel pump motor	090/092/094
<b>N001</b>	Fuel heater resistor N° 2	612
<b>N004</b>	Air preheating resistor	612
<b>N008</b>	LH defrosting rearview mirror resistor	064
<b>N009</b>	RH defrosting rearview mirror resistor	064
<b>N010</b>	Windscreen defrosting resistor	064
<b>S001</b>	After ignition power supply relay N° 1	022
<b>S002</b>	After ignition power supply relay N° 2	024
<b>S003</b>	After ignition power supply relay N° 3	026
<b>S004</b>	Accessories power supply relay N° 1	028
<b>S005</b>	Accessories power supply relay N° 2	028
<b>S020</b>	Starting relay	028
<b>S021</b>	Alternator circuit earthing relay (ADR)	026
<b>S022</b>	Alternator controlled power supply relay (engine running)	026
<b>S100</b>	Stop lights power supply relay	032
<b>S101</b>	Rear fog lights power supply relay	032
<b>S102</b>	Main beam headlights power supply relay	032
<b>S103</b>	Fog driving lights power supply relay	032
<b>S104</b>	Reversing lights power supply relay	024
<b>S105</b>	RH and LH side/parking and marker lights power supply relay	030
<b>S106</b>	Switches night lighting power supply relay	020
<b>S107</b>	RH and LH side/parking and marker lights power supply relay (trailer and bodybuilder)	030
<b>S108</b>	Revolving beacons power supply relay	059
<b>S109</b>	Long range driving lights power supply relay	057
<b>S110</b>	Fog lights cut-off relay if main beam headlights on	032
<b>S200</b>	Automatic transmission management ECU power supply relay	120/122

<b>S201</b>	Vehicle and engine ECUs power supply relay	028
<b>S202</b>	Air suspension power supply relay	030
<b>S300</b>	Cab tilting safety and authorization relay	604
<b>S400</b>	Windscreen wipers motor time-delay relay	024
<b>S401</b>	Headlamps wash pump motor power supply relay	052
<b>S452</b>	Air conditioning fan piloting relay	079
<b>S453</b>	Add-on heater power supply relay	092
<b>S500</b>	Heated and swivelling rearview mirror power supply relay	024
<b>S501</b>	Air preheating relay	612
<b>S502</b>	Windscreen defrosting control relay	064
<b>S600</b>	Cab tilting motor power supply relay	604
<b>V001</b>	Air/water add-on heater solenoid valve	092
<b>V002</b>	Rear wheels diff. lock electrovalve	100
<b>V003</b>	LH roadwheel ABS electrovalve	103
<b>V004</b>	RH roadwheel ABS electrovalve	103
<b>V005</b>	Axle piloting solenoid valve unit	110
<b>V006</b>	Locking solenoid valve	110
<b>V007</b>	LH steer control solenoid valve	110
<b>V008</b>	RH steer control solenoid valve	110
<b>V009</b>	60-tonne vehicle safety solenoid valve	150
<b>V010</b>	PTO engagement electrovalve N° 1	120/604
<b>V011</b>	High speed disengagement electrovalve	120
<b>V012</b>	High speed engagement electrovalve	120
<b>V013</b>	Low speed engagement electrovalve	120
<b>V014</b>	Low speed disengagement electrovalve	120
<b>V015</b>	Retarder proportional electrovalve	120/204
<b>V016</b>	Retarder accumulation electrovalve	204
<b>V018</b>	PTO engagement electrovalve N° 2	120/605
<b>V021</b>	Engine brake N° 1 solenoid valve	612
<b>V023</b>	VTC engine brake electrovalve	100/612
<b>V025</b>	"Low speed" selection control electrovalve	100
<b>V026</b>	Transfer box diff. lock control solenoid valve	100
<b>V027</b>	Transfer box neutral engagement control	605
<b>V030</b>	Drive axle suspension control solenoid valve unit	150/152/154
<b>V031</b>	Drive axle rear suspension main electrovalve	150/152/154
<b>V032</b>	Drive axle rear suspension (RH side) electrovalve	150/152/154
<b>V033</b>	Drive axle rear suspension (LH side) electrovalve	150/152/154
<b>V034</b>	Rear axle suspension control solenoid valve unit	154
<b>V035</b>	Rear axle suspension main electrovalve	154
<b>V036</b>	Rear axle suspension electrovalve	154
<b>V037</b>	Lift-up air spring control electrovalve	154
<b>V038</b>	Front suspension electrovalve	152/154
<b>V040</b>	PTO N° 3 engagement electrovalve	605
<b>V050</b>	Braking auxiliary electrovalve	105
<b>V051</b>	Trailer braking inlet/exhaust electrovalve	105
<b>V052</b>	Range change electrovalve	612
<b>V053</b>	Splitter control electrovalve	612
<b>V054</b>	Splitter and range change control unit	612
<b>V101</b>	Cylinder injector solenoid valve N° 1	610

<b>V102</b>	Cylinder injector solenoid valve N° 2	610
<b>V103</b>	Cylinder injector solenoid valve N° 3	610
<b>V104</b>	Cylinder injector solenoid valve N° 4	610
<b>V105</b>	Cylinder injector solenoid valve N° 5	610
<b>V106</b>	Cylinder injector solenoid valve N° 6	610
<b>V107</b>	Air horn	059
<b>V108</b>	Air dryer bleeding solenoid valve	612
<b>V109</b>	Engine cooling fan speed regulation solenoid valve	610
<b>W100</b>	Alternator circuit draw resistor	022
<b>W500</b>	Diode(s)	092/100/602/604/702
<b>W501</b>	Diodes set	015
<b>W502</b>	Diode on after ignition information circuit for vehicle management box	026
<b>W503</b>	Diode on engine running information relay power supply circuit	026
<b>W504</b>	Diode on alternator earthing relay power supply circuit	026
<b>W505</b>	Diode on alternator earthing relay power supply circuit	026
<b>W506</b>	Doors central locking diode	010
<b>W507</b>	Vehicle alarm sounding diode	702
<b>X200</b>	Available power supplies connector	900/901/902
<b>X203</b>	CAN bus grouping connector	007
<b>X900</b>	15-pin trailer socket	890
<b>X902</b>	24 Volts power supply socket	074
<b>X906</b>	ABS/EBS trailer socket	105
<b>X907</b>	Ground receptacle	010/012
<b>X908</b>	12 Volts power supply socket	074
<b>X909</b>	Extra 24 Volts power supply socket	074
<b>X913</b>	Vehicle diagnostic socket	006/805
<b>X914</b>	Vehicle data extraction socket	006/805
<b>X915</b>	Automatic gearbox diagnostic socket	122
<b>Z001</b>	Fuel heating unit	612
<b>Z003</b>	Fan speed regulator unit	610
<b>Z004</b>	Retarder unit	120
<b>Z005</b>	Automatic transmission unit	120
<b>Z008</b>	Driver's swivelling defrosting rearview mirror	064
<b>Z009</b>	Passenger's swivelling defrosting rearview mirror	064
<b>Z010</b>	Front passenger's door locking striker unit	750
<b>Z011</b>	Driver's door locking striker unit	750
<b>Z014</b>	Trailer brake control EBS modulator unit	105

## Summary of diagrams

**CAN BUS J1587-1 feedback zone**

Diagram plate: 006

**CAN BUS J1939-1 feedback zone**

Diagram plate: 007

**CAN BUS J1939-2 feedback zone**

Diagram plate: 008

**Energy production (except "ADR")**

Diagram plate: 010

**Energy production "ADR"**

Diagram plate: 012

**Control ECU "ADR"**

Diagram plate: 015

**Electrical distribution 1/7**

Diagram plate: 020

**Electrical distribution 2/7**

Diagram plate: 022

**Electrical distribution 3/7**

Diagram plate: 024

**Electrical distribution 4/7**

Diagram plate: 026

**Electrical distribution 5/7**

Diagram plate: 028

**Electrical distribution 6/7**

Diagram plate: 030

**Electrical distribution 7/7**

Diagram plate: 032

**Air production management**

Diagram plate: 040

**Lighting and signalling management**

Diagram plate: 050

**Windscreen wiper(s) and headlamps wash**

Diagram plate: 052

**Side, marker, identification and parking lights**

Diagram plate: 053

**Rear lights**

Diagram plate: 055

**Headlights and front lights**

Diagram plate: 057

**Specific trade lights and horn**

Diagram plate: 059

**Electric window raisers**

Diagram plate: 060

**Swivelling defrosting rearview mirrors**

Diagram plate: 064

**Comfort lighting 1/2**

Diagram plate: 069

**Comfort lighting 2/2**

Diagram plate: 070

**Comfort accessories**

Diagram plate: 074

**Radio, CB radio and telephone**

Diagram plate: 075

**Air conditioning**

Diagram plate: 079

**Independent (add-on) heating AT2000ST**

Diagram plate: 090

**Independent (add-on) heating THERME90S**

Diagram plate: 092

**Independent (add-on) heating AT2000ST - ADR**

Diagram plate: 094

**Differential lock**

Diagram plate: 100

**EBS braking system 1/7**

Diagram plate: 102

**EBS braking system 2/7**

Diagram plate: 103

**EBS braking system 3/7**

Diagram plate: 104

**EBS braking system 4/7**

Diagram plate: 105

**EBS braking system 5/7**

EBS table 4x2/4x4

**EBS braking system 6/7**

EBS table 6x2/6x4

**EBS braking system 7/7**

EBS table 8x2/8x4

**Piloted axle**

Diagram plate: 110

**Automatic transmission**

Diagram plate: 120

**Gearbox "ALLISON 3000V"**

Diagram plate: 122

**Electronic air suspension - Tractors 4x2 (1 sensor)**

Diagram plate: 150

**Rear air suspension - 4x2 / 6x2 (2 sensors)**

Diagram plate: 152

**Integral electronic air suspension - 4x2 / 6x2 (2 sensors)**

Diagram plate: 154

**Hydraulic retarder**

Diagram plate: 204

**Vehicle electronic management 1/2**

Diagram plate: 602

**Vehicle electronic management 2/2**

Diagram plate: 604

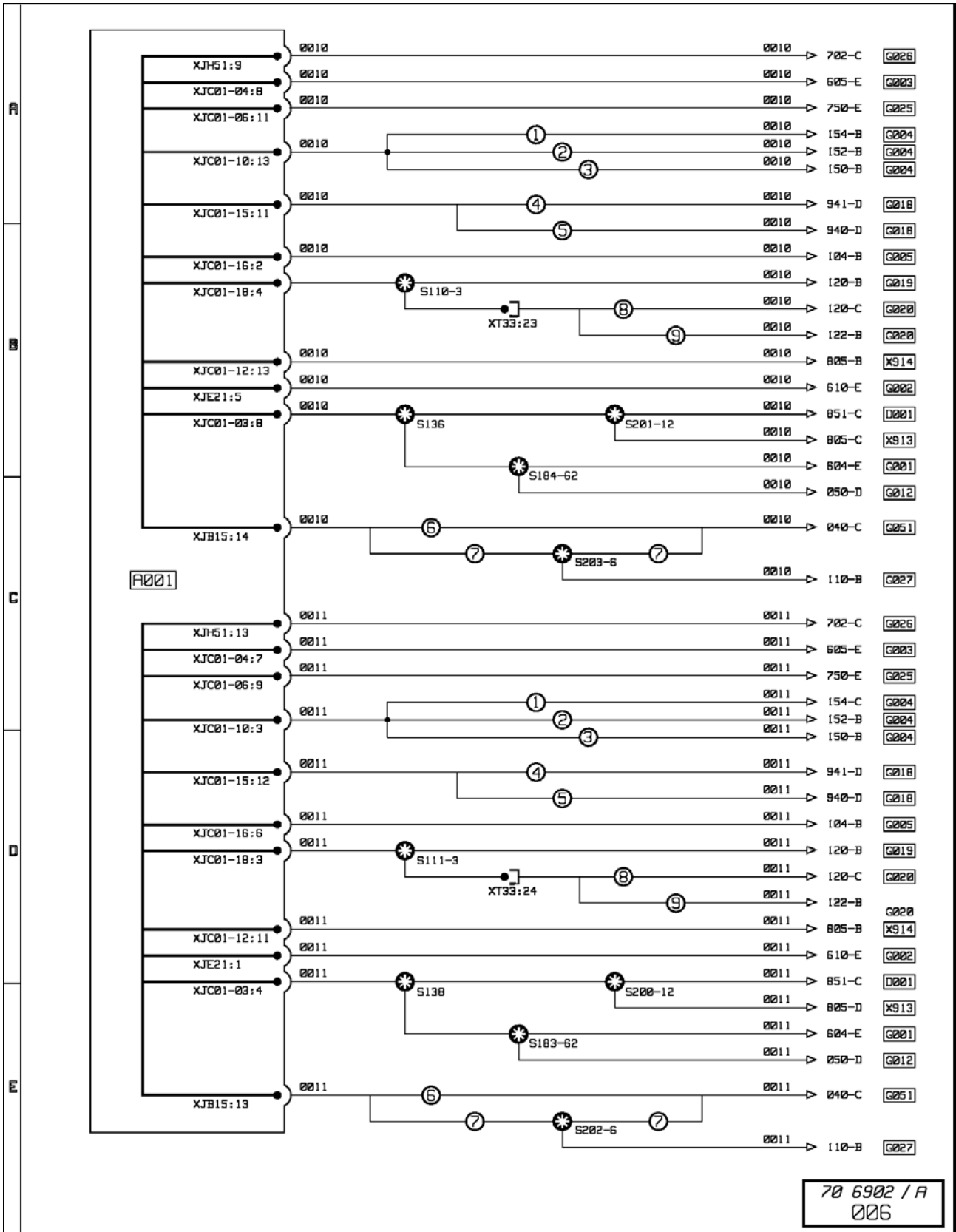
**Bodybuilder pre-arrangement management**

Diagram plate: 605

**Engine electronic management 1/2**Diagram plate: **610****Engine electronic management 2/2**Diagram plate: **612****Alarm**Diagram plate: **702****Doors / Engine immobilizer controls**Diagram plate: **750****Tachograph**Diagram plate: **800****Diagnostic socket**Diagram plate: **805****Main information display 1/2**Diagram plate: **850****Main information display 2/2**Diagram plate: **851****Trailer sockets**Diagram plate: **890****Available power supplies 1/3**Diagram plate: **900****Available power supplies 2/3**Diagram plate: **901****Available power supplies 3/3**Diagram plate: **902****Onboard management "FMS + TMC"**Diagram plate: **940****Onboard management "FMS + RAL"**Diagram plate: **941**



CAN BUS "J1587-1" feedback zone



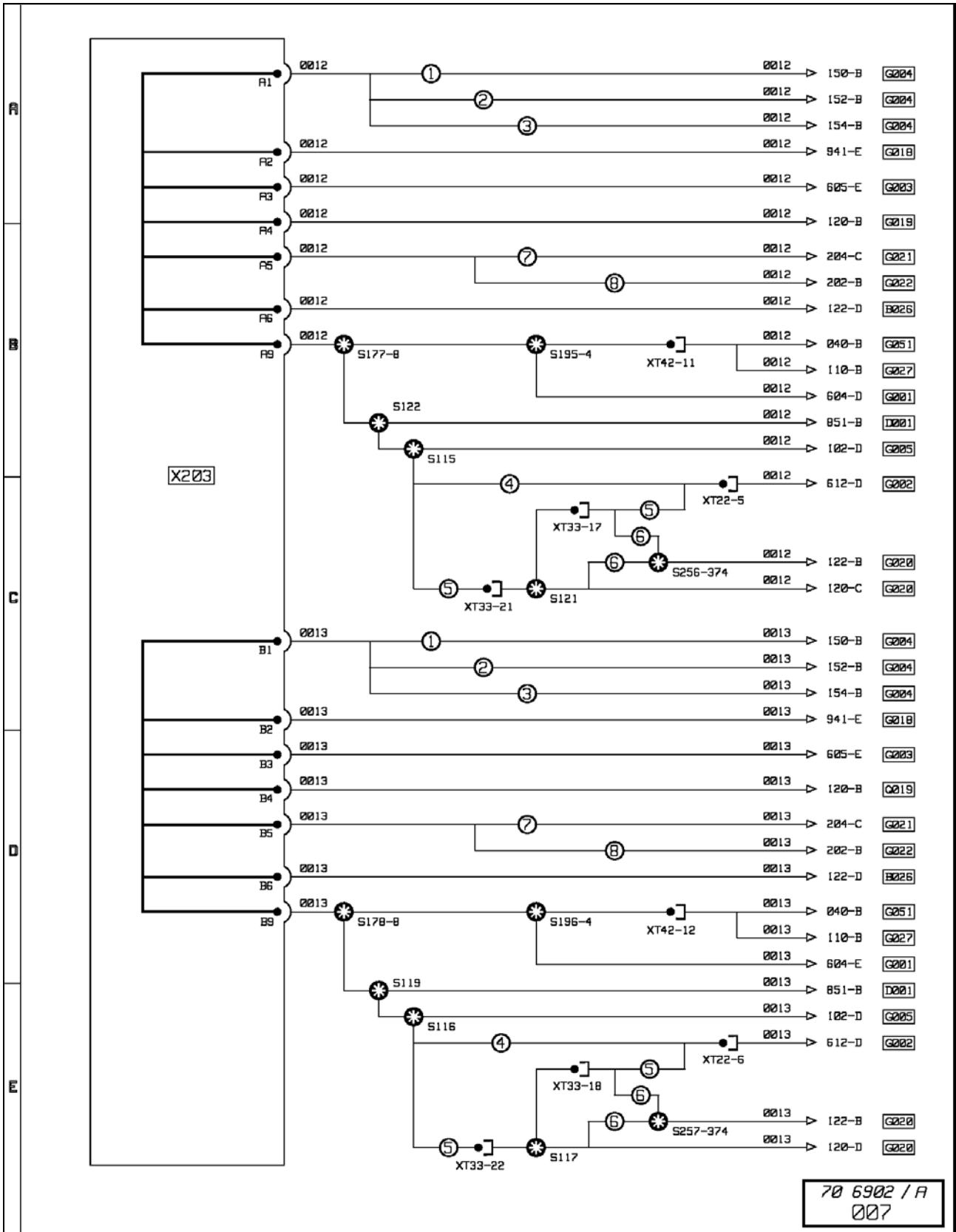


**CAN BUS "J1587-1" feedback zone****Key to appliances**

Code	Function name	Location
<b>A001</b>	Cab electrical distribution box	A2c
<b>D001</b>	Principal information display	C2b
<b>G001</b>	Vehicle management ECU	A2b
<b>G002</b>	Engine management ECU	B3b
<b>G003</b>	Bodybuilder pre-arrangement management ECU	A2b
<b>G004</b>	Air suspension ECU	A2b
<b>G005</b>	EBS braking management ECU	A2b
<b>G012</b>	Lighting and signalling management ECU	A2b
<b>G018</b>	FMS - GATEWAY management ECU	B2b
<b>G019</b>	Gear selector ECU	A2b
<b>G020</b>	Automatic transmission ECU	B3c
<b>G025</b>	Engine immobilizer ECU	B2b
<b>G026</b>	Alarm ECU	C2a
<b>G027</b>	Piloted axle ECU	A2b
<b>G051</b>	Air production management ECU	C4d
<b>X913</b>	Vehicle diagnostic socket	C1c
<b>X914</b>	Vehicle data extraction socket	C1c

- 1: with **6x2** suspension
- 2: with **4x2** (except tractor) suspension
- 3: with **4x2** tractor suspension
- 4: with onboard management "**FMS**"
- 5: with onboard management "**FMS + TMC**"
- 6: with piloted rear axle
- 7: without piloted rear axle
- 8: with automatic transmission
- 9: with "ALLISON" gearbox

CAN BUS "J1939-1" feedback zone

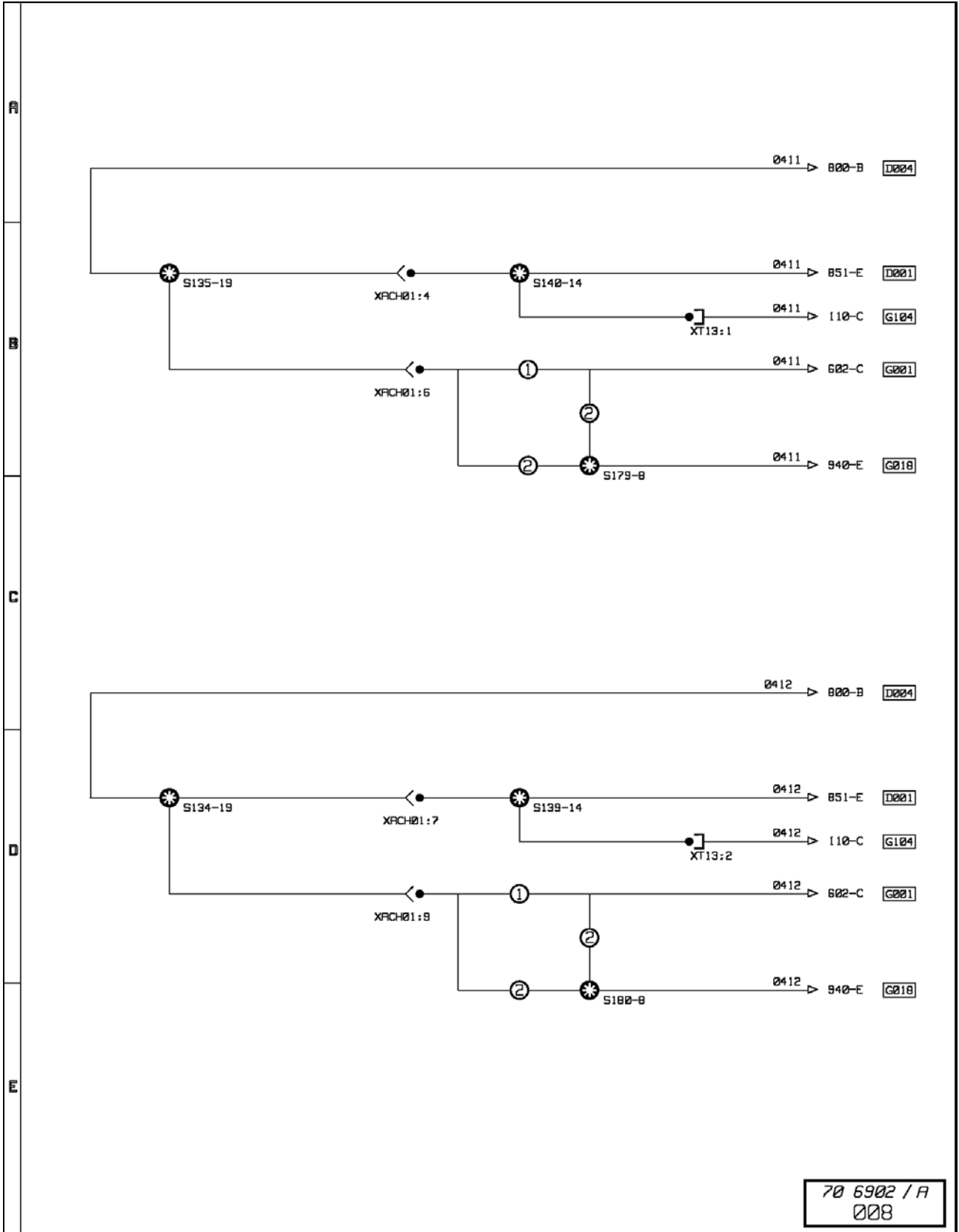


**CAN BUS "J1939-1" feedback zone****Key to appliances**

Code	Function name	Location
<b>D001</b>	Principal information display	C2b
<b>G001</b>	Vehicle management ECU	A2b
<b>G002</b>	Engine management ECU	B3b
<b>G003</b>	Bodybuilder pre-arrangement management ECU	A2b
<b>G004</b>	Air suspension ECU	A2b
<b>G005</b>	EBS braking management ECU	A2b
<b>G018</b>	FMS - GATEWAY management ECU	B2b
<b>G019</b>	Gear selector ECU	A2b
<b>G020</b>	Automatic transmission ECU	B3c
<b>G021</b>	Hydraulic retarder ECU	A2b
<b>G022</b>	Electric retarder ECU	A2b
<b>G027</b>	Piloted axle ECU	A2b
<b>G051</b>	Air production management ECU	C4d
<b>X203</b>	CAN bus grouping connector	A2c

- 1: with **4x2** tractor suspension
- 2: with **4x2** (except tractor) suspension
- 3: with **6x2** suspension
- 4: with manual gearbox
- 5: with automatic transmission
- 6: with "ALLISON" gearbox
- 7: with hydraulic retarder
- 8: with electric retarder

CAN BUS "J1939-2" feedback zone



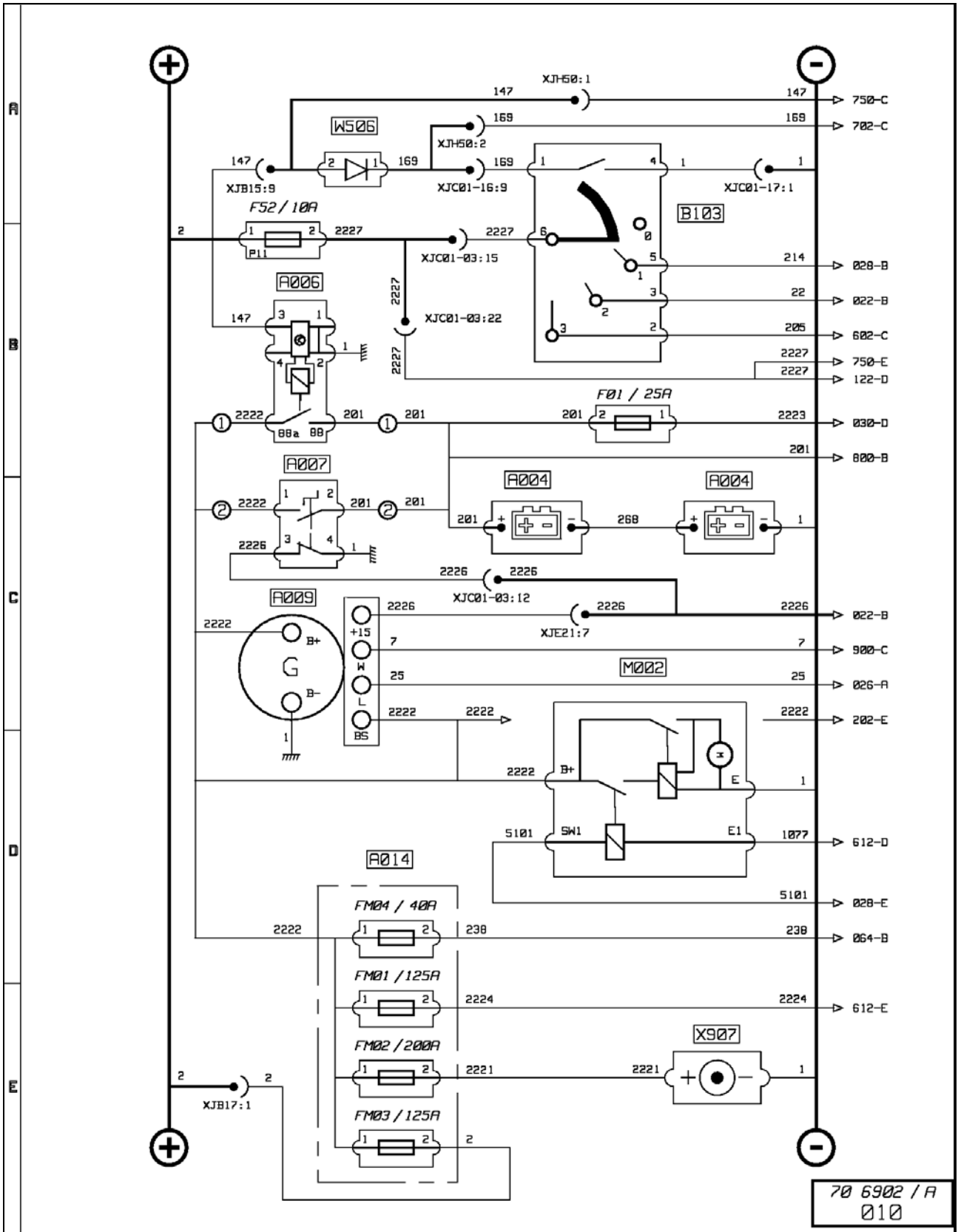
**CAN BUS "J1939-2" feedback zone****Key to appliances**

<b>Code</b>	<b>Function name</b>	<b>Location</b>
<b>D001</b>	Principal information display	C2b
<b>D004</b>	Tachograph	C2a
<b>G001</b>	Vehicle management ECU	A2b
<b>G018</b>	FMS - GATEWAY management ECU	B2b
<b>G104</b>	Tyre pressures monitoring ECU	A2b

1: without onboard management

2: with onboard management

Energy production (except "ADR")



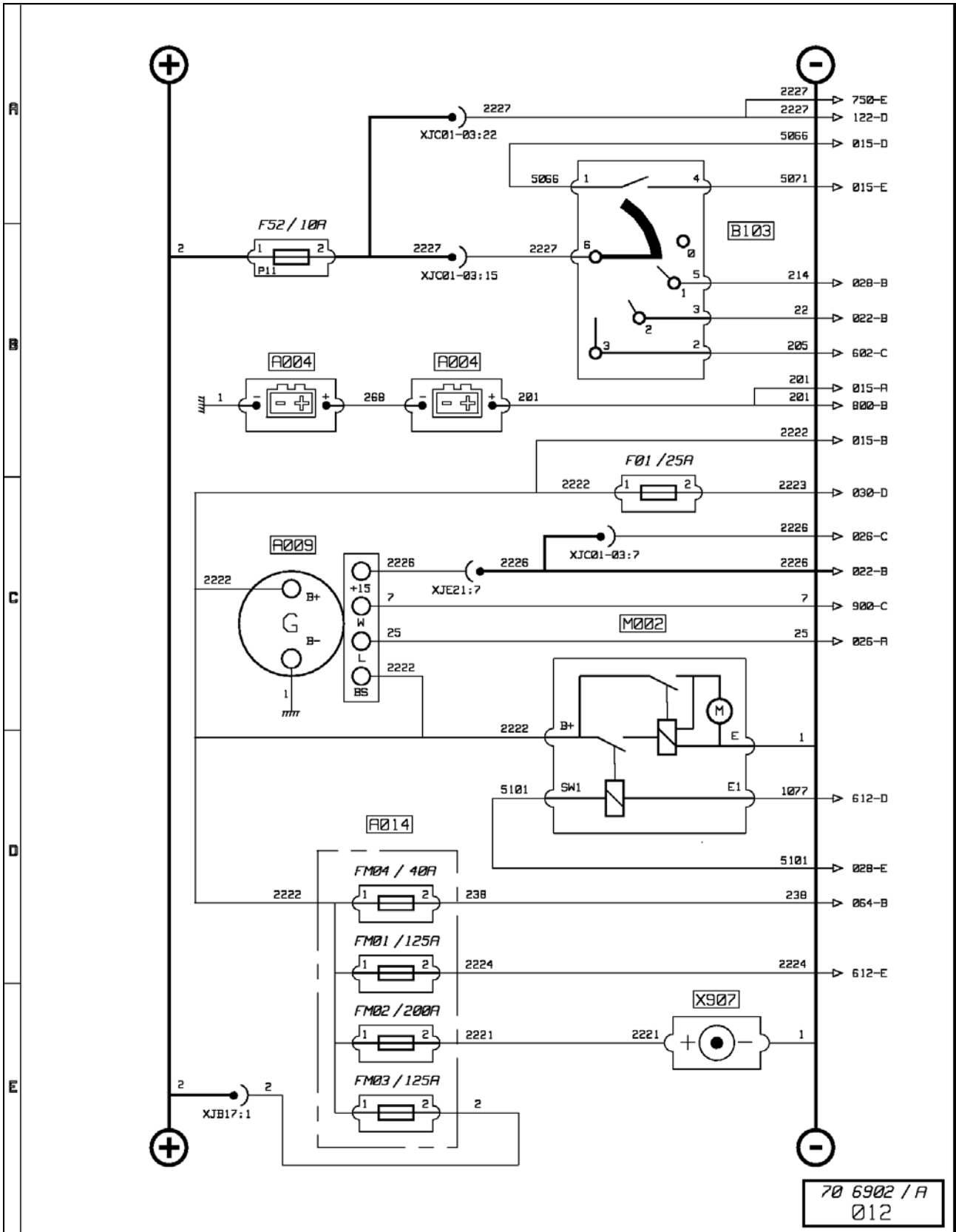
**Energy production (except "ADR")****Key to appliances**

<b>Code</b>	<b>Function name</b>	<b>Location</b>
<b>A004</b>	Batteries	C4d
<b>A006</b>	Electrically controlled master switch	C4d
<b>A007</b>	Manually controlled master switch	C4d
<b>A009</b>	Alternator	B3c
<b>A014</b>	Power fuse box unit (FM1 to FM4)	C4d
<b>B103</b>	Key switch unit	C2c
<b>M002</b>	Starter	B3c
<b>X907</b>	Ground receptacle	C5d
<b>W506</b>	Doors central locking diode	A2c

1: with electrical master switch

2: with mechanical master switch

Energy production "ADR"

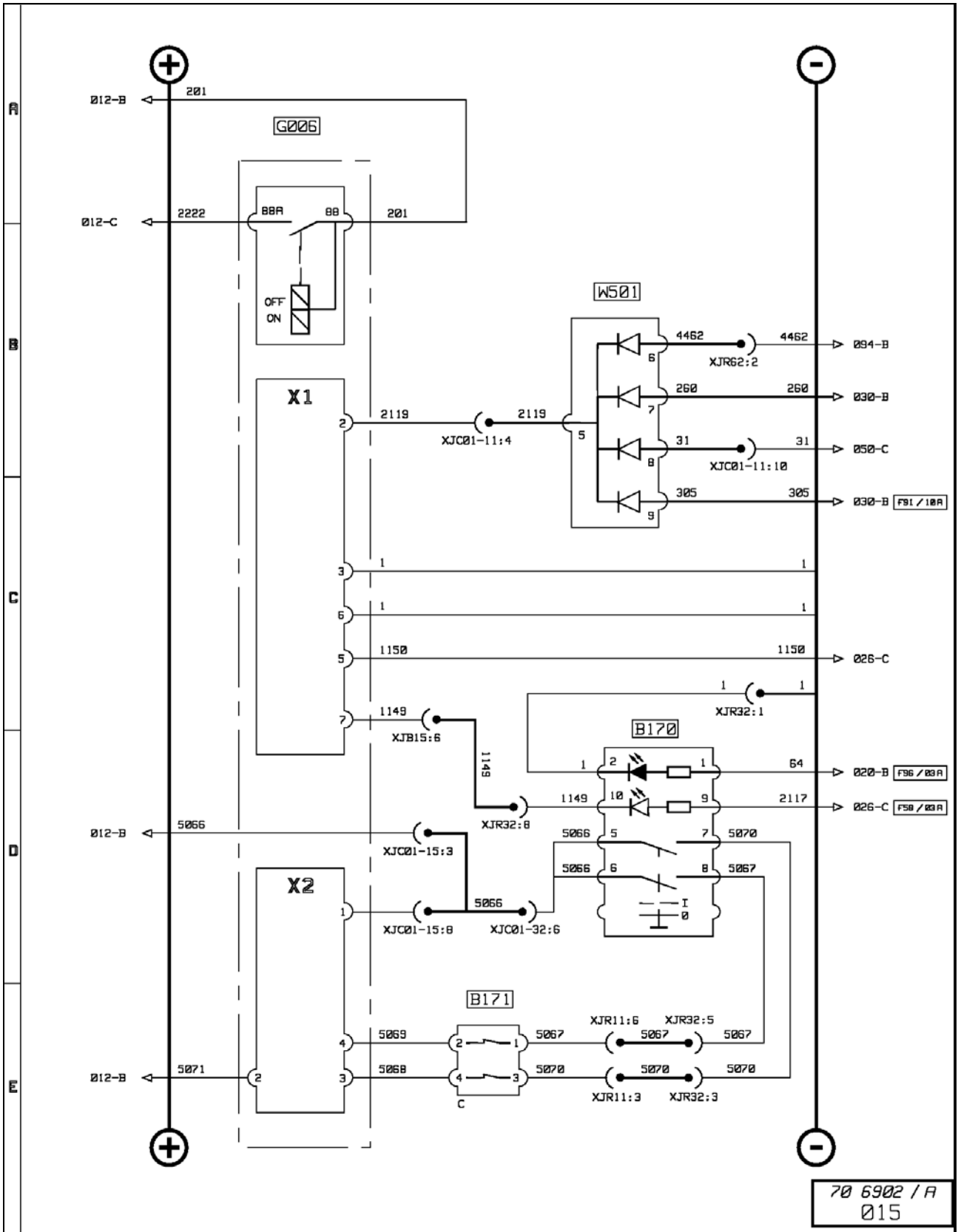




**Energy production "ADR"****Key to appliances**

<b>Code</b>	<b>Function name</b>	<b>Location</b>
<b>A004</b>	Batteries	C4d
<b>A009</b>	Alternator	B3c
<b>A014</b>	Power fuse box unit (FM1 to FM4)	C4d
<b>B103</b>	Key switch unit	C2c
<b>M002</b>	Starter	B3c
<b>X907</b>	Ground receptacle	C5d

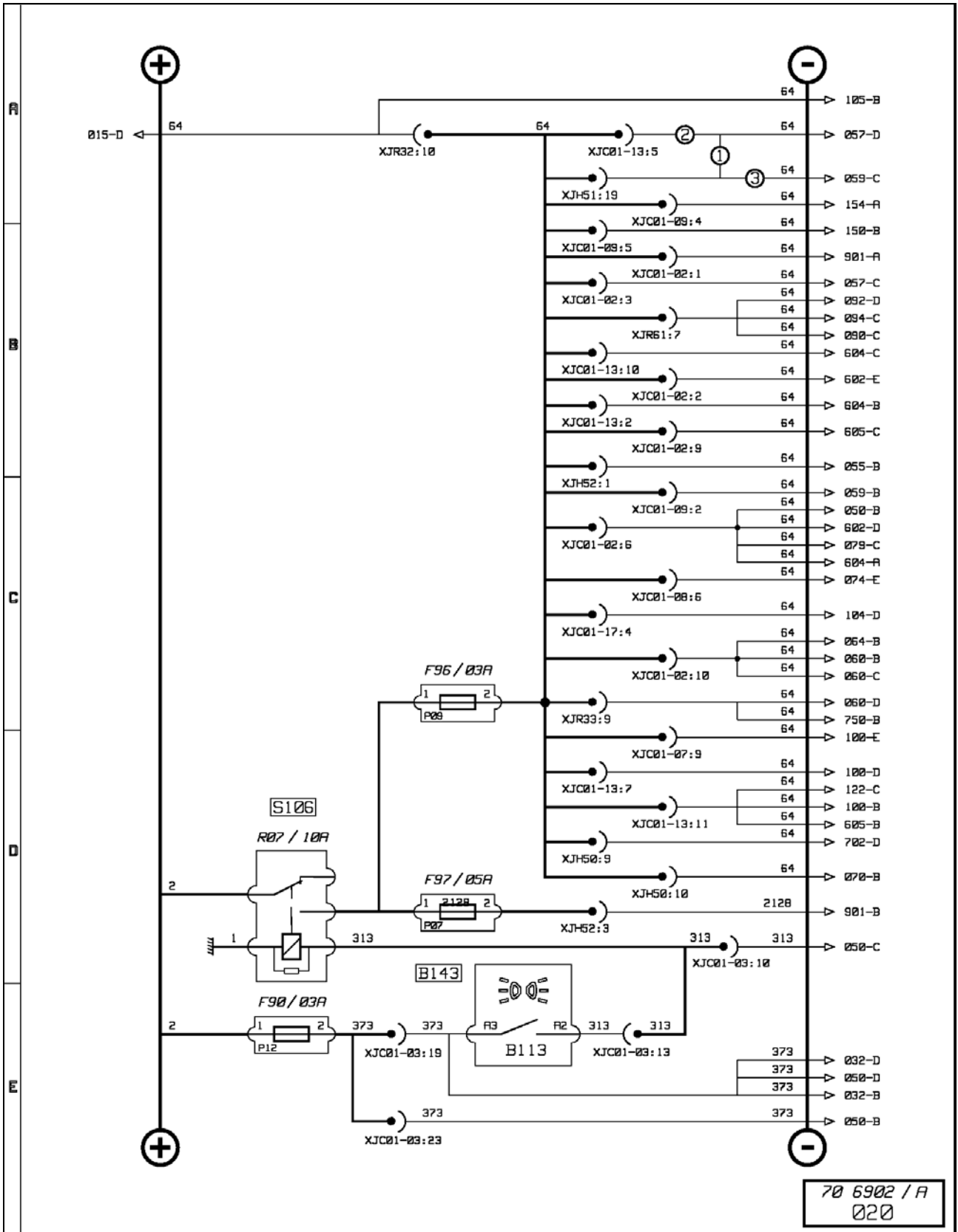
Control ECU "ADR"



**Control ECU "ADR"****Key to appliances**

<b>Code</b>	<b>Function name</b>	<b>Location</b>
<b>B170</b>	Cab emergency stop control	C2d
<b>B171</b>	Chassis emergency stop control	A3c
<b>G006</b>	Vehicle power supply management ECU (ADR)	C4d
<b>W501</b>	Diodes set	A2c

Electrical distribution (1/7)

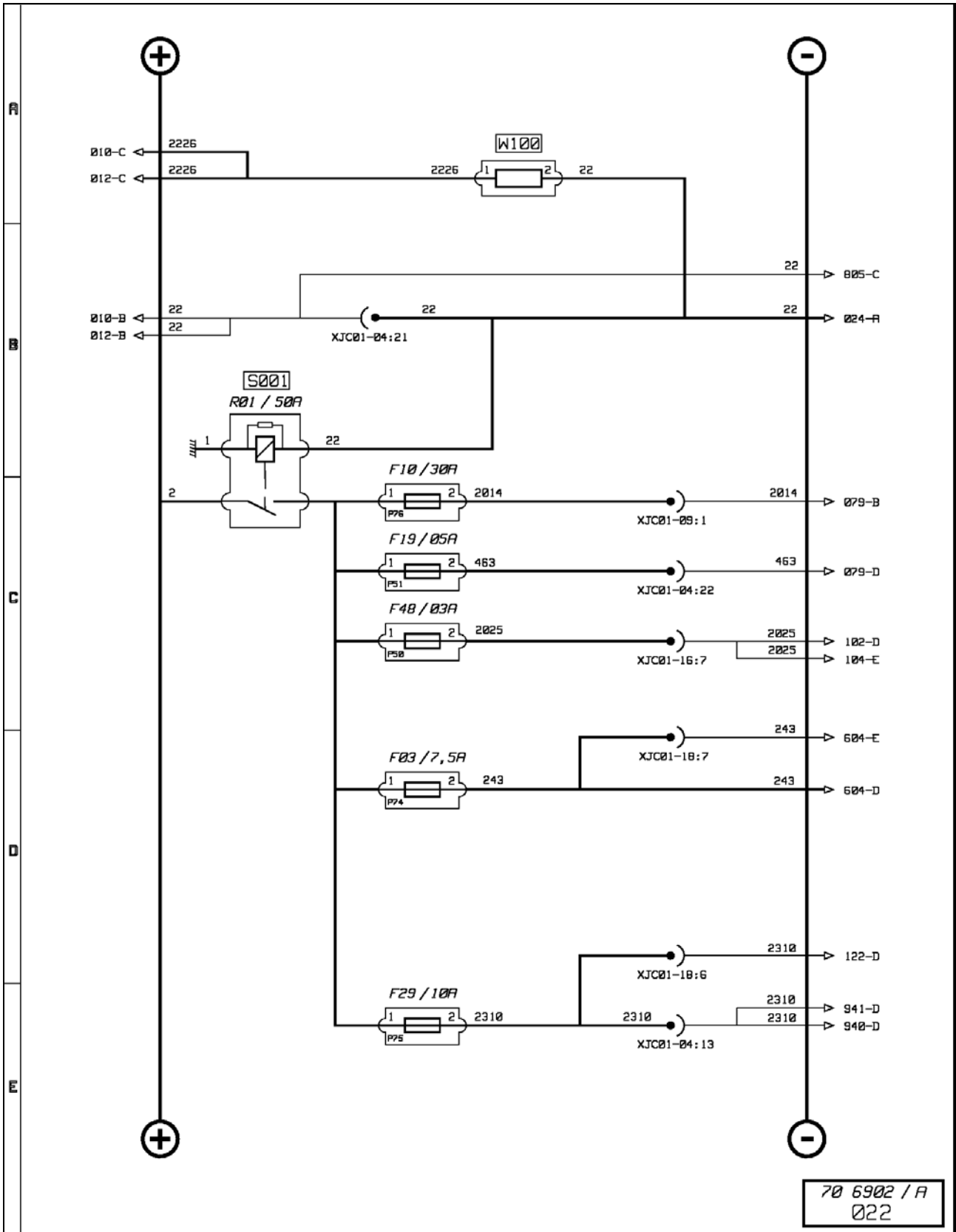


**Electrical distribution (1/7)****Key to appliances**

<b>Code</b>	<b>Function name</b>	<b>Location</b>
<b>B113</b>	Side/parking lights control	C2b
<b>B143</b>	Steering wheel fingertip controls N° 1	C2b
<b>S106</b>	Switches night lighting power supply relay	A2c

- 1: With long range sunshade-mounted driving lights
- 2: Without long range sunshade-mounted driving lights
- 3: With revolving beacon(s)

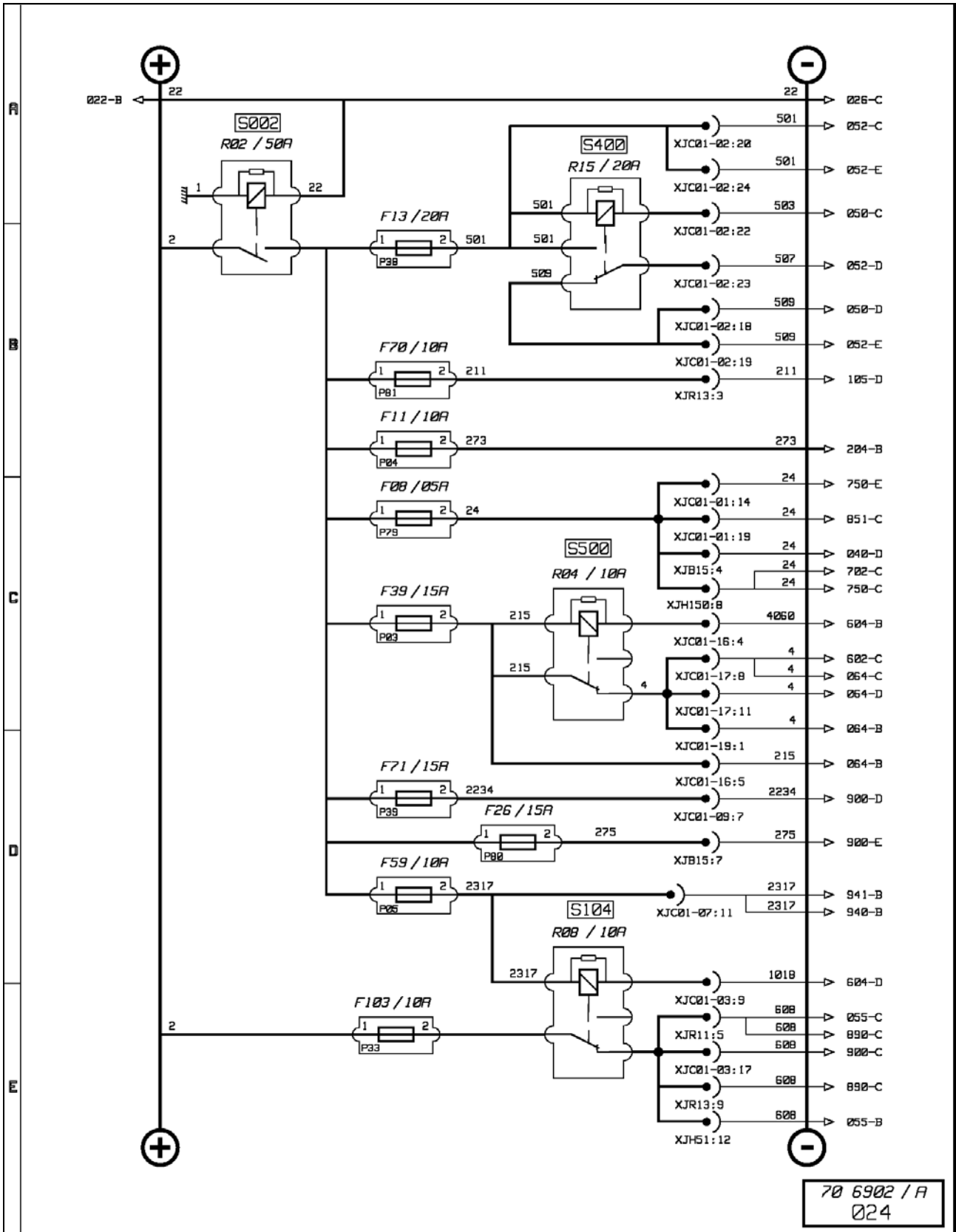
Electrical distribution (2/7)



**Electrical distribution (2/7)****Key to appliances**

<b>Code</b>	<b>Function name</b>	<b>Location</b>
<b>S001</b>	After ignition power supply relay N° 1	A2c
<b>W100</b>	Alternator circuit draw resistor	A2c

Electrical distribution (3/7)

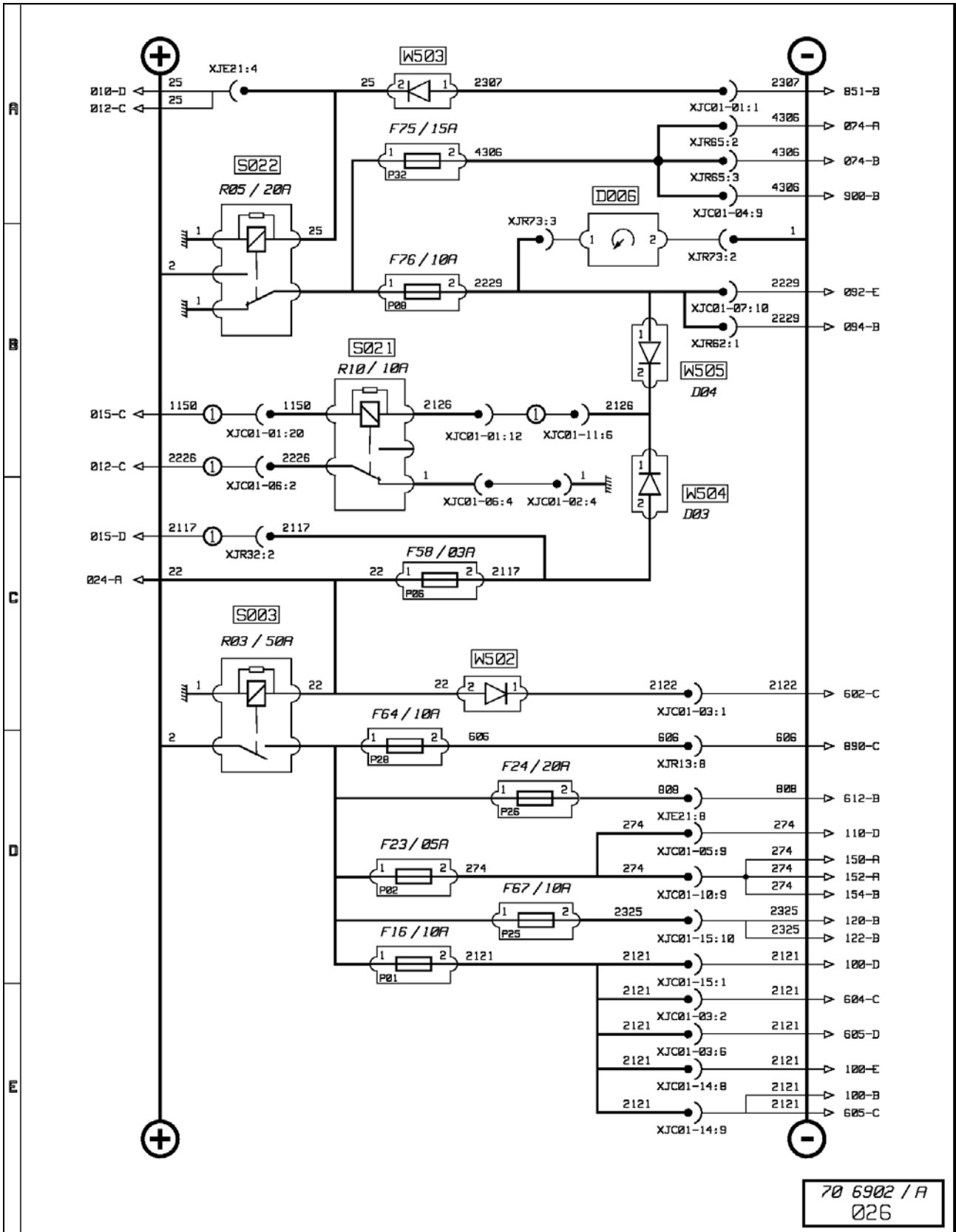




**Electrical distribution (3/7)****Key to appliances**

<b>Code</b>	<b>Function name</b>	<b>Location</b>
<b>S002</b>	After ignition power supply relay N° 2	A2c
<b>S104</b>	Reversing lights power supply relay	A2c
<b>S400</b>	Windscreen wipers motor time-delay relay	A2c
<b>S500</b>	Heated and swivelling rearview mirror power supply relay	A2c

Electrical distribution (4/7)

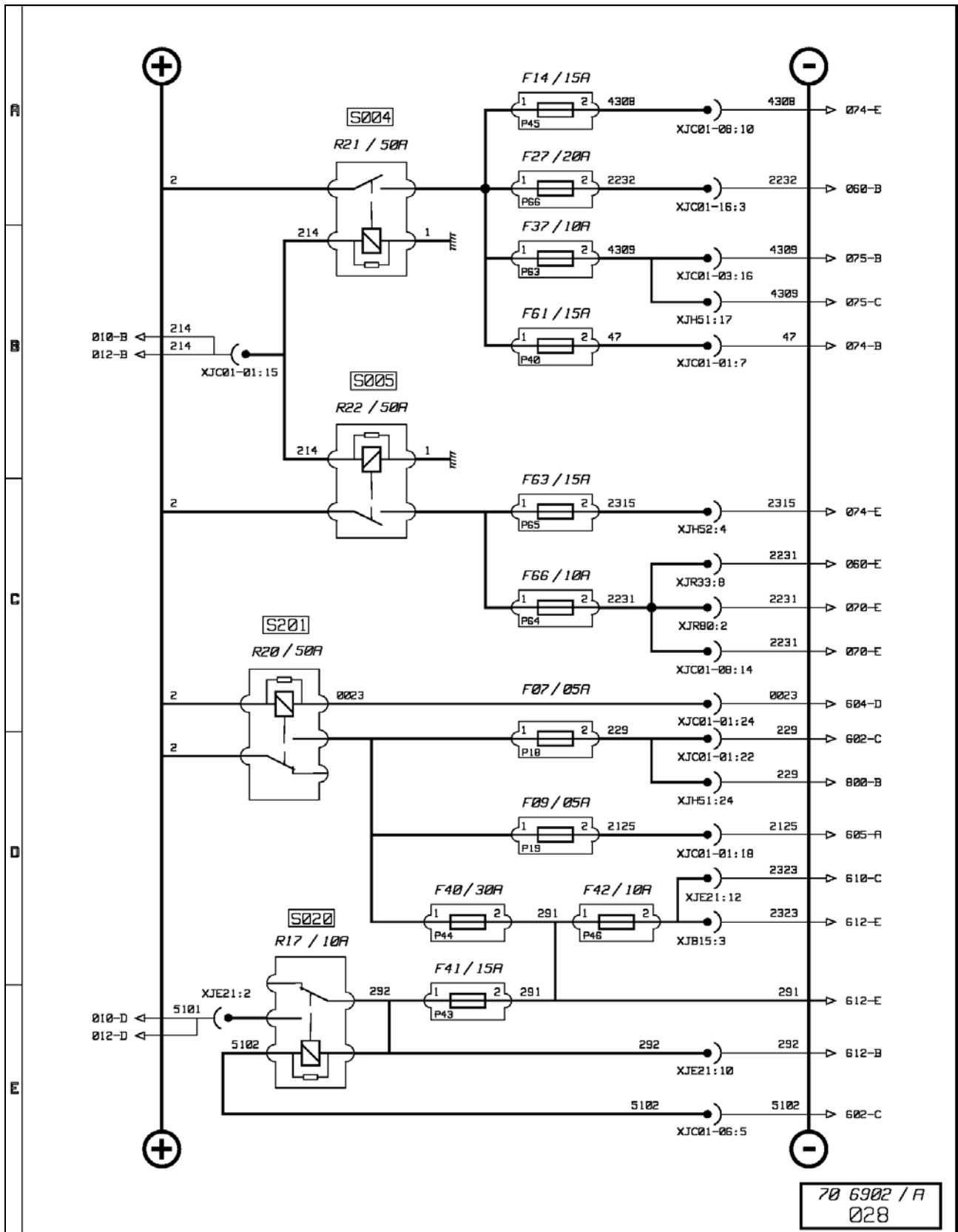


**Electrical distribution (4/7)****Key to appliances**

<b>Code</b>	<b>Function name</b>	<b>Location</b>
<b>D006</b>	Vehicle hour-meter	C3c
<b>S003</b>	After ignition power supply relay N° 3	A2c
<b>S021</b>	Alternator circuit earthing relay (ADR)	A2c
<b>S022</b>	Alternator controlled power supply relay (engine running)	A2c
<b>W502</b>	Diode on after ignition information circuit for vehicle management box	A2c
<b>W503</b>	Diode on engine running information relay power supply circuit	A2c
<b>W504</b>	Diode on alternator earthing relay power supply circuit	A2c
<b>W505</b>	Diode on alternator earthing relay power supply circuit	A2c

1: with "ADR" equipment

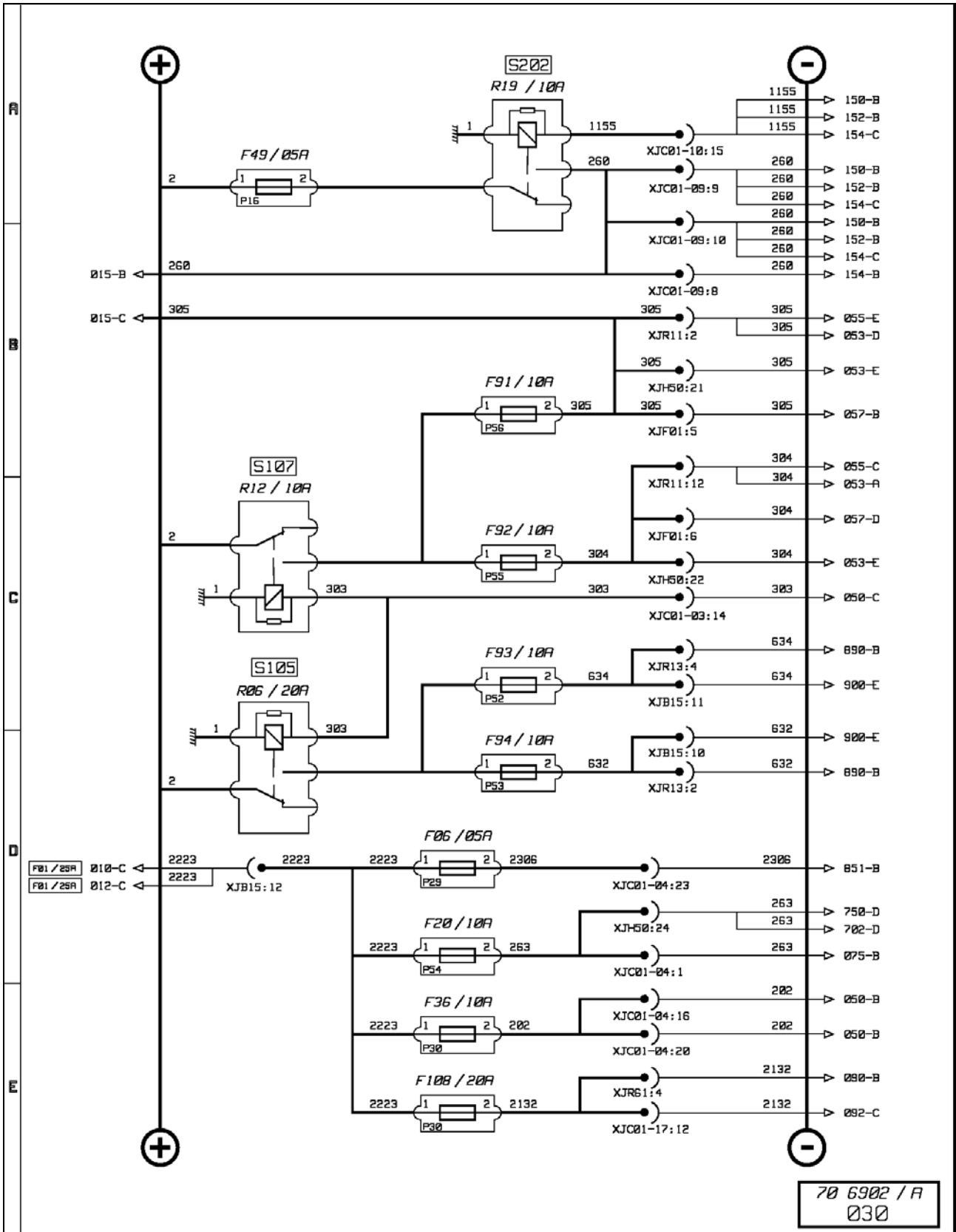
Electrical distribution (5/7)



**Electrical distribution (5/7)****Key to appliances**

<b>Code</b>	<b>Function name</b>	<b>Location</b>
<b>S004</b>	Accessories power supply relay N° 1	A2c
<b>S005</b>	Accessories power supply relay N° 2	A2c
<b>S020</b>	Starting relay	A2c
<b>S201</b>	Vehicle and engine ECUs power supply relay	A2c

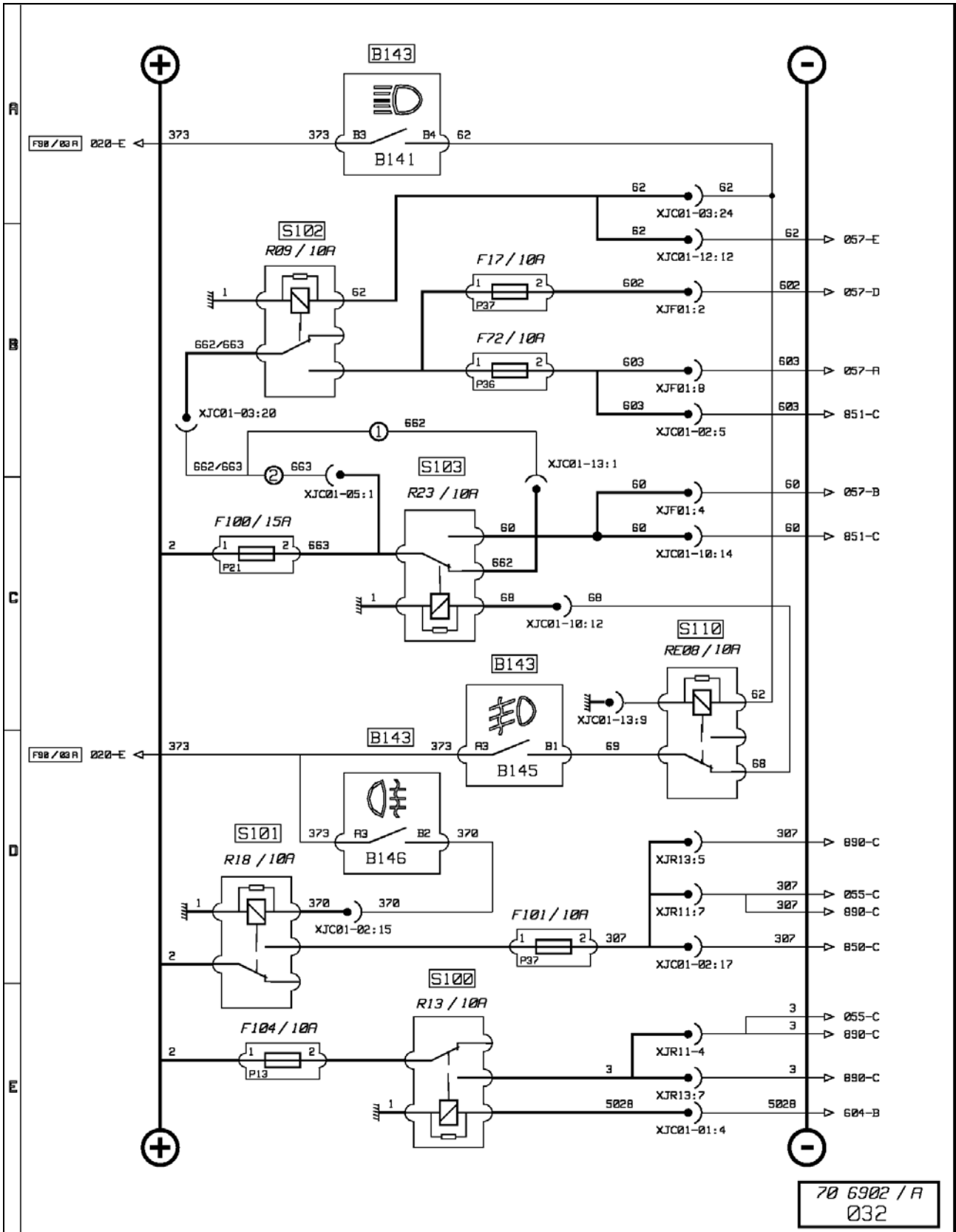
Electrical distribution (6/7)



**Electrical distribution (6/7)****Key to appliances**

<b>Code</b>	<b>Function name</b>	<b>Location</b>
<b>S105</b>	RH and LH side/parking and marker lights power supply relay	A2c
<b>S107</b>	RH and LH side/parking and marker lights power supply relay (trailer and bodybuilder)	A2c
<b>S202</b>	Air suspension power supply relay	A2c

Electrical distribution (7/7)





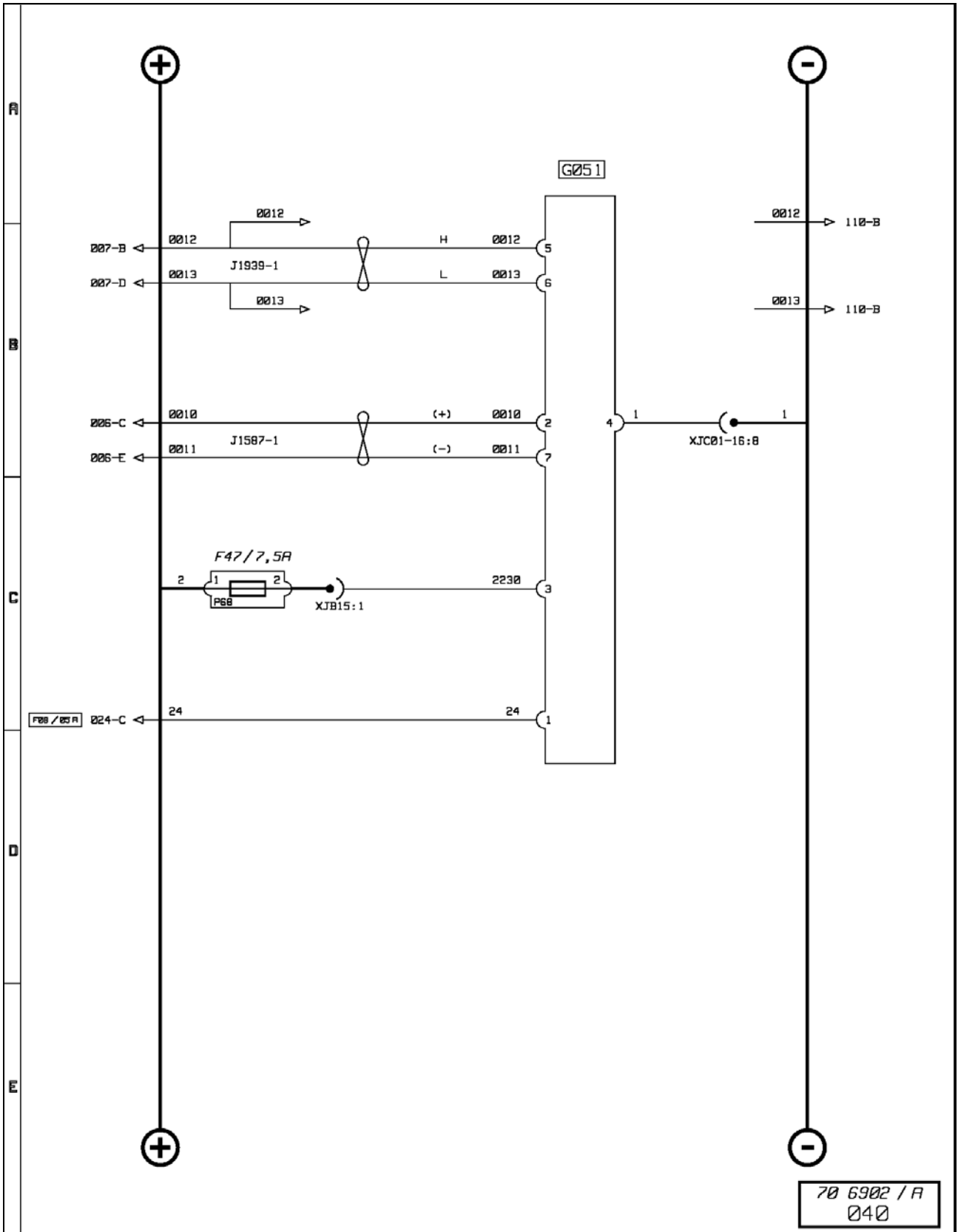
**Electrical distribution (7/7)****Key to appliances**

<b>Code</b>	<b>Function name</b>	<b>Location</b>
<b>B141</b>	Main beam headlights control	C2b
<b>B143</b>	Steering wheel fingertip controls N° 1	C2b
<b>B145</b>	Fog driving lights control	C2b
<b>B146</b>	Fog lights control	C2b
<b>S100</b>	Stop lights power supply relay	A2c
<b>S101</b>	Rear fog lights power supply relay	A2c
<b>S102</b>	Main beam headlights power supply relay	A2c
<b>S103</b>	Fog driving lights power supply relay	A2c
<b>S110</b>	Fog lights cut-off relay if main beam headlights on	A2c

1: With fog driving lights

2: Without fog driving lights

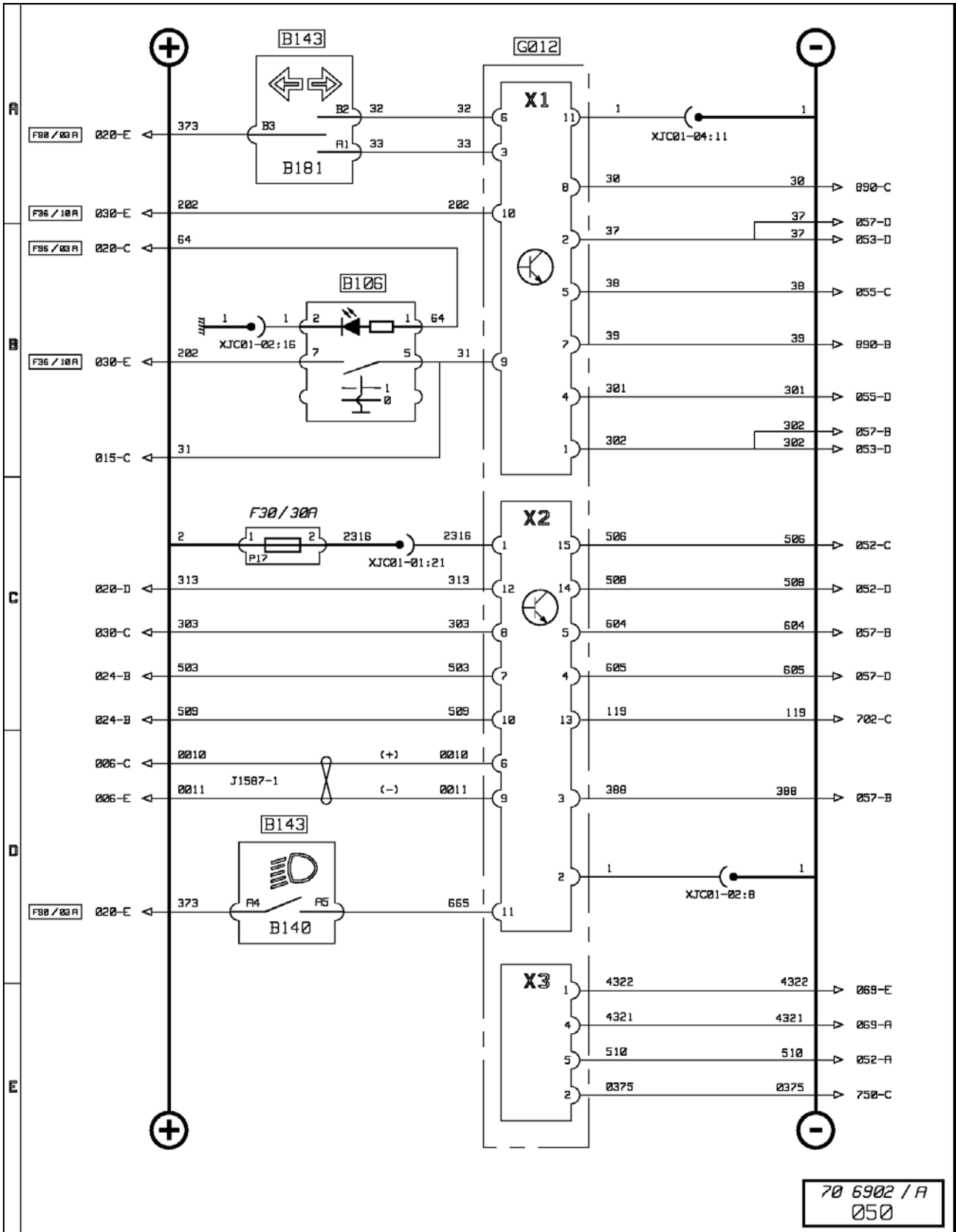
Air production management



**Air production management****Key to appliances**

Code	Function name	Location
<b>G051</b>	Air production management ECU	C4d

Lighting and signalling management

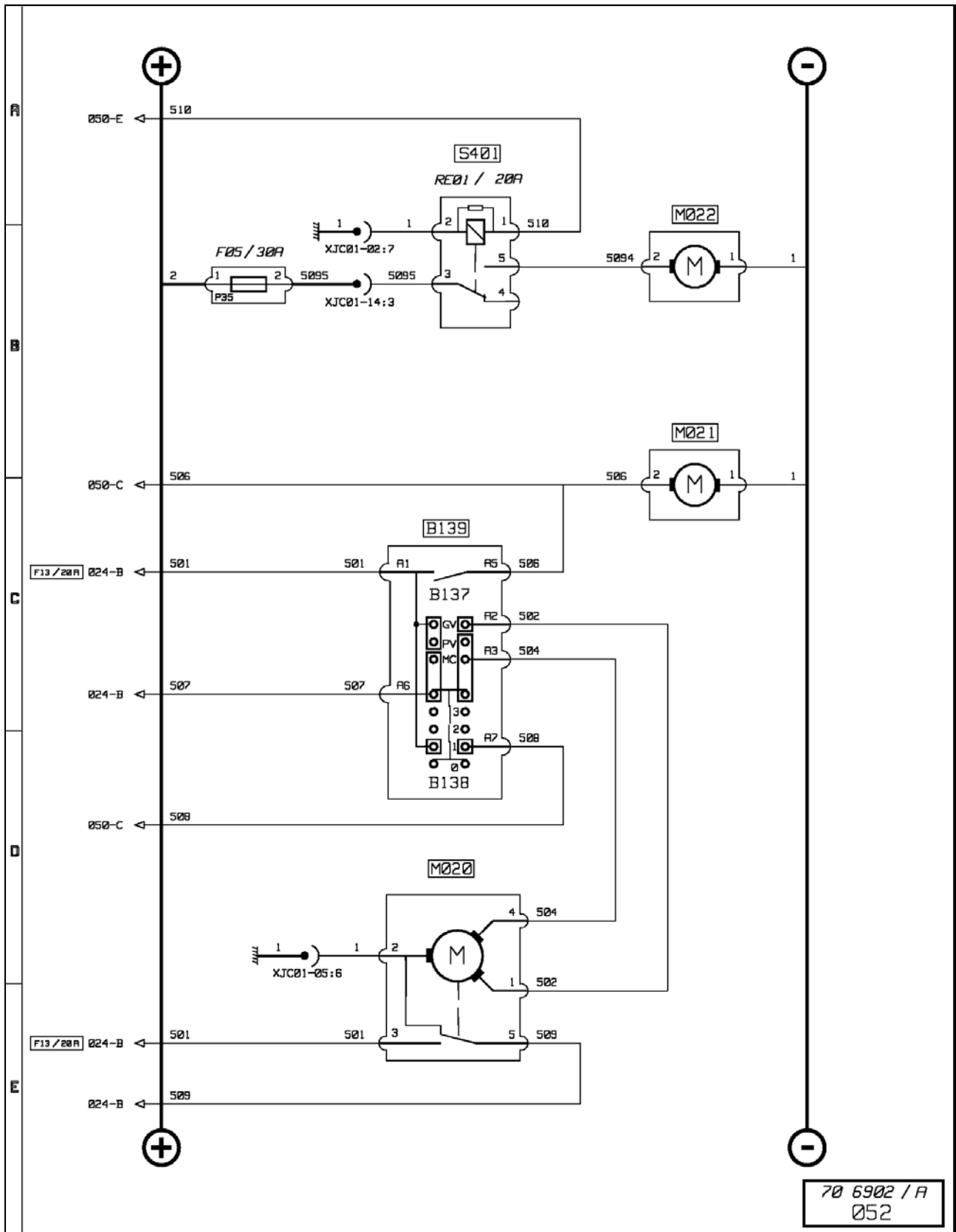


## Lighting and signalling management

### Key to appliances

Code	Function name	Location
<b>B106</b>	Hazard lights control	C2b
<b>B140</b>	Dipped beam headlights control	C2b
<b>B143</b>	Steering wheel fingertip controls N° 1	C2b
<b>B181</b>	Direction indicator control	C2b
<b>G012</b>	Lighting and signalling management ECU	A2b

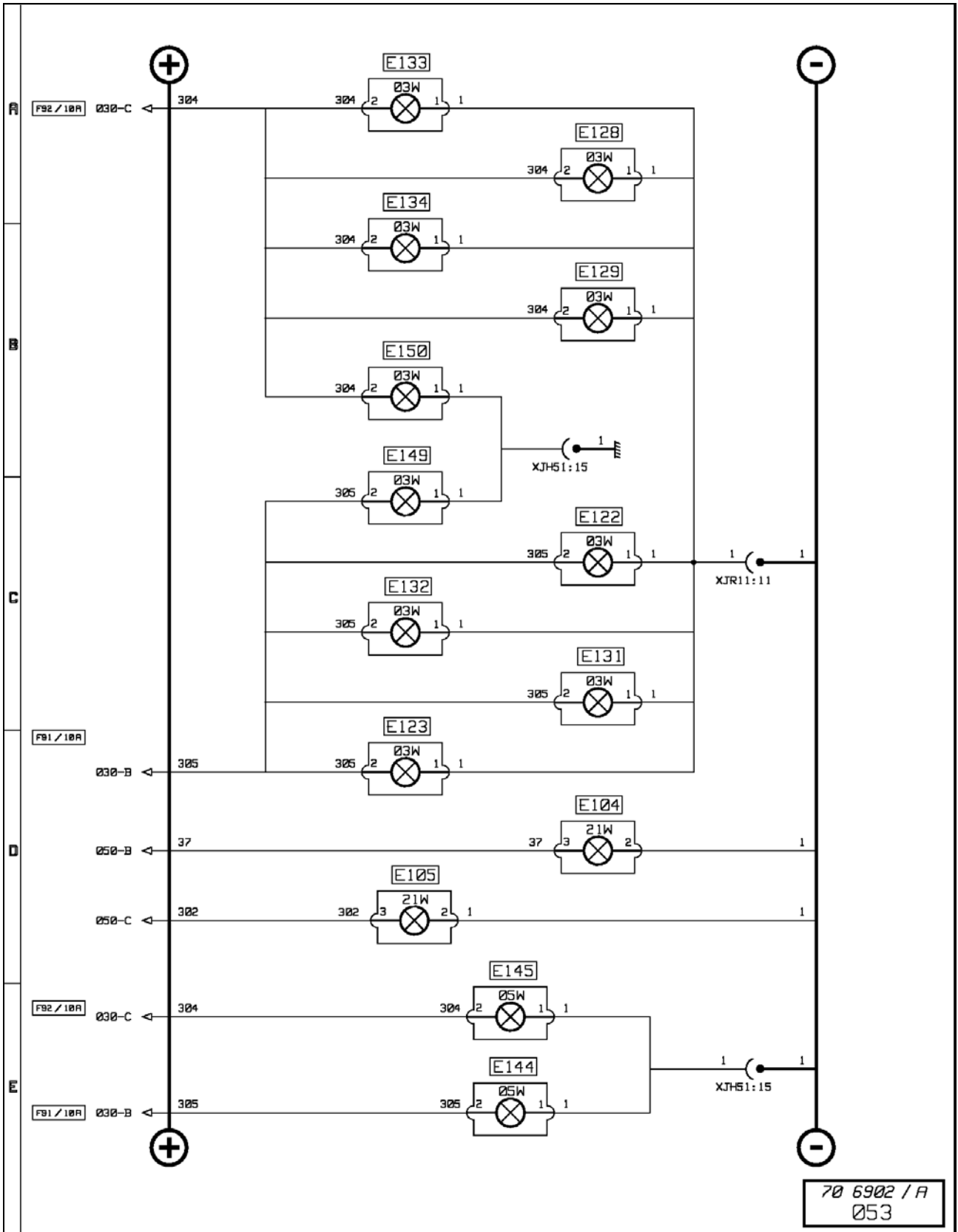
Windscreen wiper(s) and headlamps wash



**Windscreen wiper(s) and headlamps wash****Key to appliances**

<b>Code</b>	<b>Function name</b>	<b>Location</b>
<b>B137</b>	Windscreen wash control	C2b
<b>B138</b>	Windscreen wipers control	C2b
<b>B139</b>	Windscreen / headlamps wash/wipe control	C2b
<b>M020</b>	Windscreen wipers drive motor	B1c
<b>M021</b>	Windscreen wash pump motor	C2c
<b>M022</b>	Headlamps wash pump motor	A2c
<b>S401</b>	Headlamps wash pump motor power supply relay	A2c

Side, marker, identification and parking lights



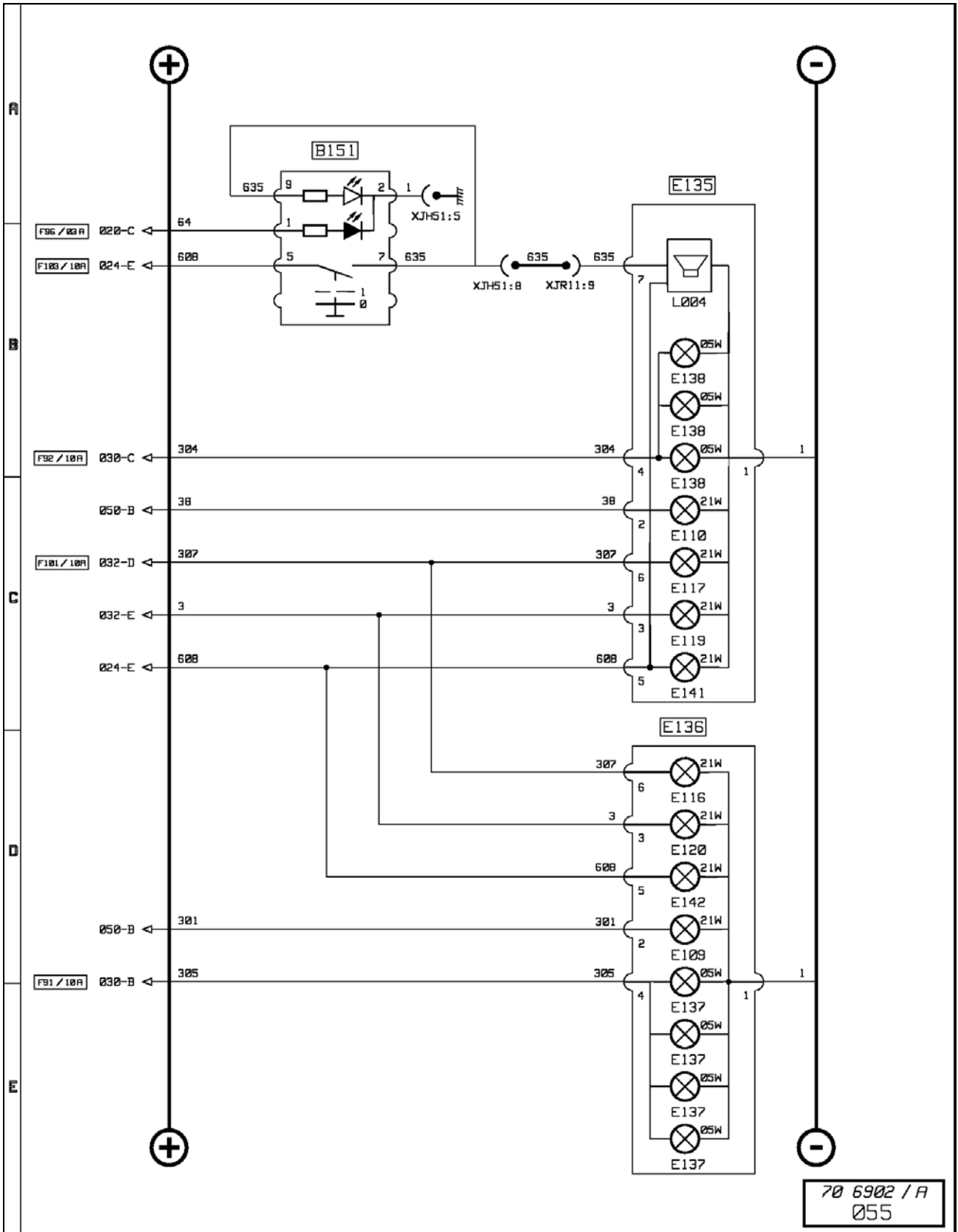


## Side, marker, identification and parking lights

### Key to appliances

Code	Function name	Location
<b>E104</b>	Roof RH front direction change indicator lights	A2a
<b>E105</b>	Roof LH front direction change indicator lights	C2a
<b>E122</b>	RH clearance light N° 1	A2d
<b>E123</b>	RH clearance light N° 2	A4d
<b>E128</b>	LH clearance lights N° 3	C6d
<b>E129</b>	LH clearance lights N° 4	C8d
<b>E131</b>	RH clearance lights N° 3	A6d
<b>E132</b>	RH clearance lights N° 4	A8d
<b>E133</b>	LH clearance lights N° 1	C2d
<b>E134</b>	LH clearance lights N° 2	C4d
<b>E144</b>	Roof LH side/parking lights	C2a
<b>E145</b>	Roof LH side/parking lights	A2a
<b>E149</b>	Sunshade-mounted LH marker lights	A2c
<b>E150</b>	Sunshade-mounted RH marker lights	A2c

# Rear lights

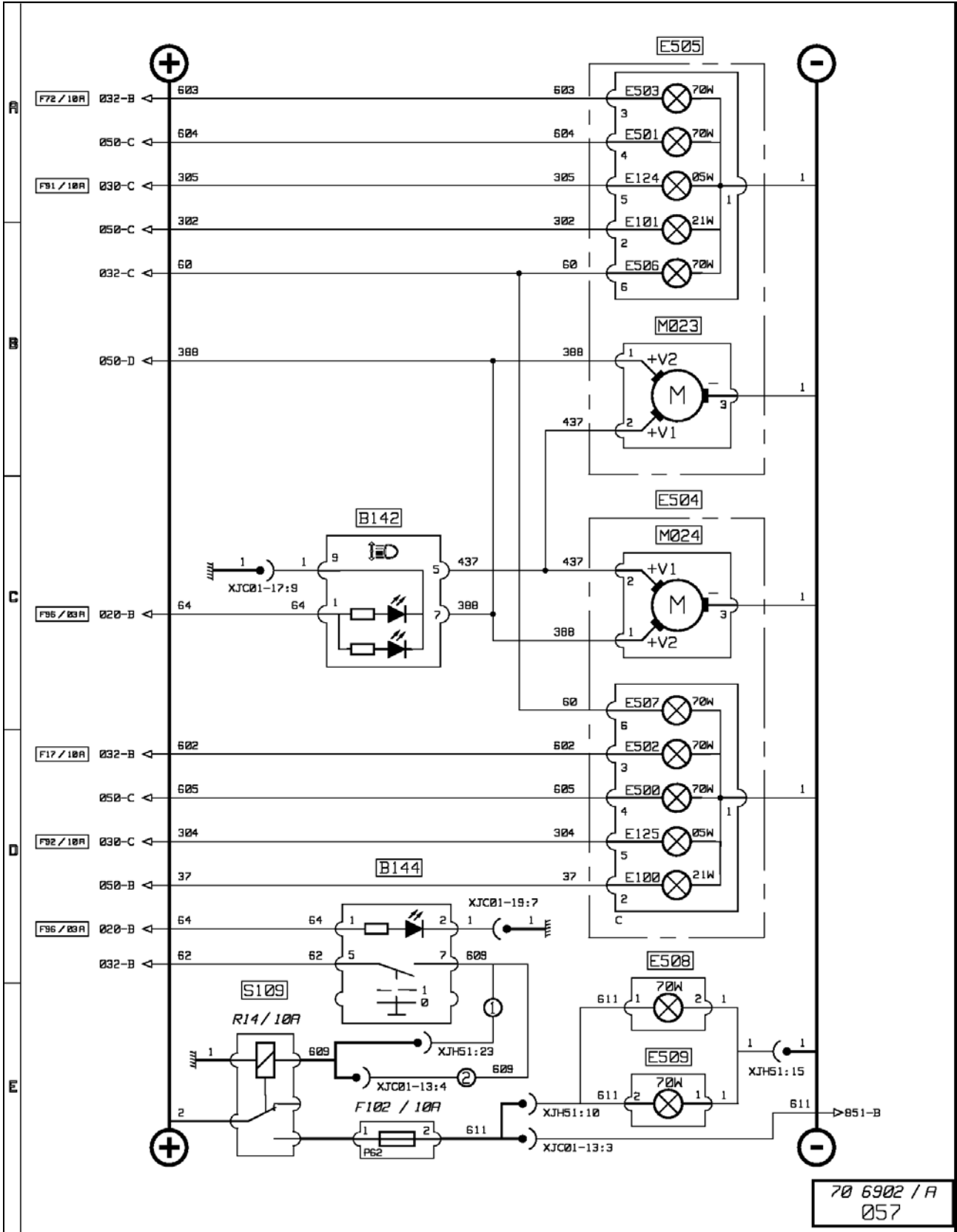


## Rear lights

### Key to appliances

Code	Function name	Location
<b>B151</b>	Reversing buzzer inhibition control	C2a
<b>E109</b>	RH rear direction change indicator lights	A9d
<b>E110</b>	LH rear direction change indicator lights	C9d
<b>E116</b>	RH rear fog light	A9d
<b>E117</b>	LH rear fog light	C9d
<b>E119</b>	LH stop lights	C9d
<b>E120</b>	RH stop lights	A9d
<b>E135</b>	LH tail lights unit	C9d
<b>E136</b>	RH tail lights unit	A9d
<b>E137</b>	RH rear side/parking lights	A9d
<b>E138</b>	LH rear side/parking lights	C9d
<b>E141</b>	LH reversing lights	C9d
<b>E142</b>	RH reversing lights	A9d
<b>L004</b>	External horn	C9d

Headlights and front lights



## Headlights and front lights

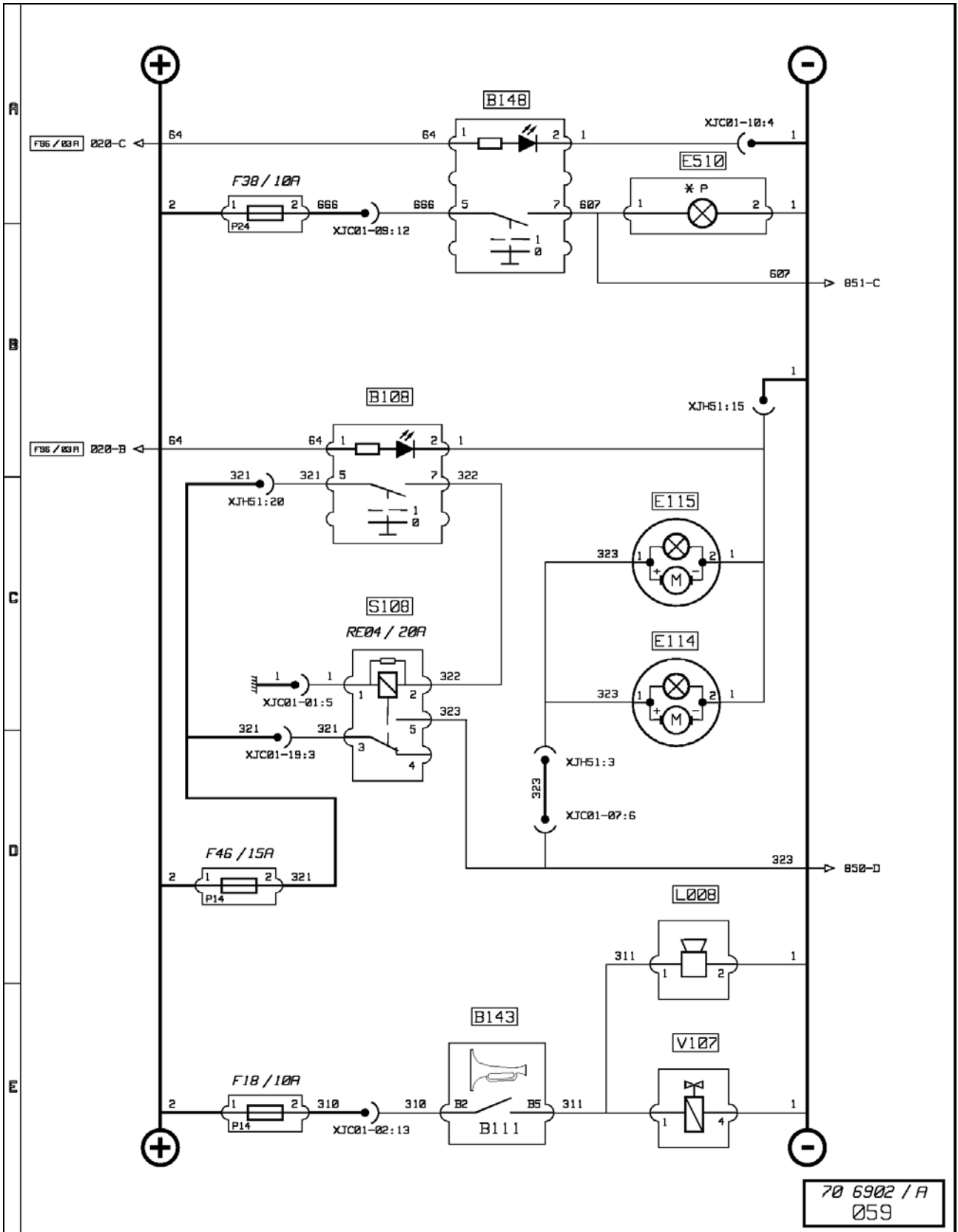
### Key to appliances

Code	Function name	Location
<b>B142</b>	Headlamps ride corrector control	C2b
<b>B144</b>	Long range driving lights control	C2b
<b>E100</b>	RH front direction change indicator lights	A1d
<b>E101</b>	LH front direction change indicator lights	C1d
<b>E124</b>	LH front side/parking lights	C1d
<b>E125</b>	RH front side/parking lights	A1d
<b>E500</b>	RH dipped beam headlight	A1d
<b>E501</b>	LH dipped beam headlight	C1d
<b>E502</b>	RH main beam headlight	A1d
<b>E503</b>	LH dipped beam headlight	C1d
<b>E504</b>	RH headlamp insert	A1d
<b>E505</b>	LH headlamp insert	C1d
<b>E506</b>	LH fog driving light	C1d
<b>E507</b>	RH fog driving light	A1d
<b>E508</b>	RH long range driving light	C1d
<b>E509</b>	LH long range driving light	A1d
<b>M023</b>	LH headlamp ride correction motor	C1d
<b>M024</b>	RH headlamp ride correction motor	A1d
<b>S109</b>	Long range driving lights power supply relay	

1: With long range sunshade-mounted driving lights

2: Without long range sunshade-mounted driving lights

Specific trade lights and horn



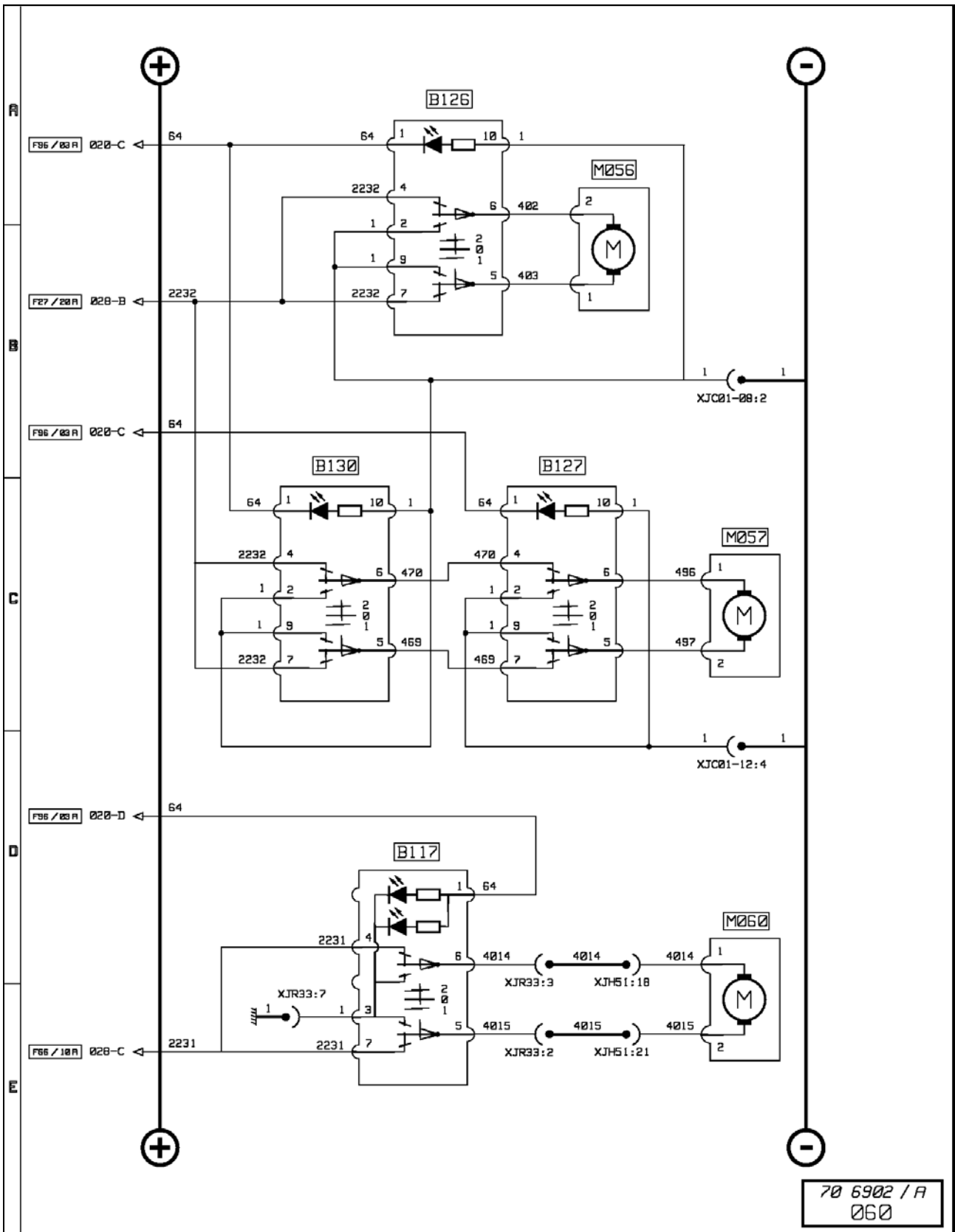
## Specific trade lights and horn

### Key to appliances

Code	Function name	Location
<b>B108</b>	Revolving beacons control	B2b
<b>B111</b>	Horn control	C2b
<b>B143</b>	Steering wheel fingertip controls N° 1	C2b
<b>B148</b>	Working lights control	C2b
<b>E114</b>	Revolving beacon N° 1	A2a
<b>E115</b>	Revolving beacon N° 2	C2a
<b>E510</b>	Working spotlight	B4c
<b>L008</b>	Electric horn	C2d
<b>S108</b>	Revolving beacons power supply relay	A2b
<b>V107</b>	Air horn	C2d

\* **P=70W; P=21W** Depending on option

Electric window raisers



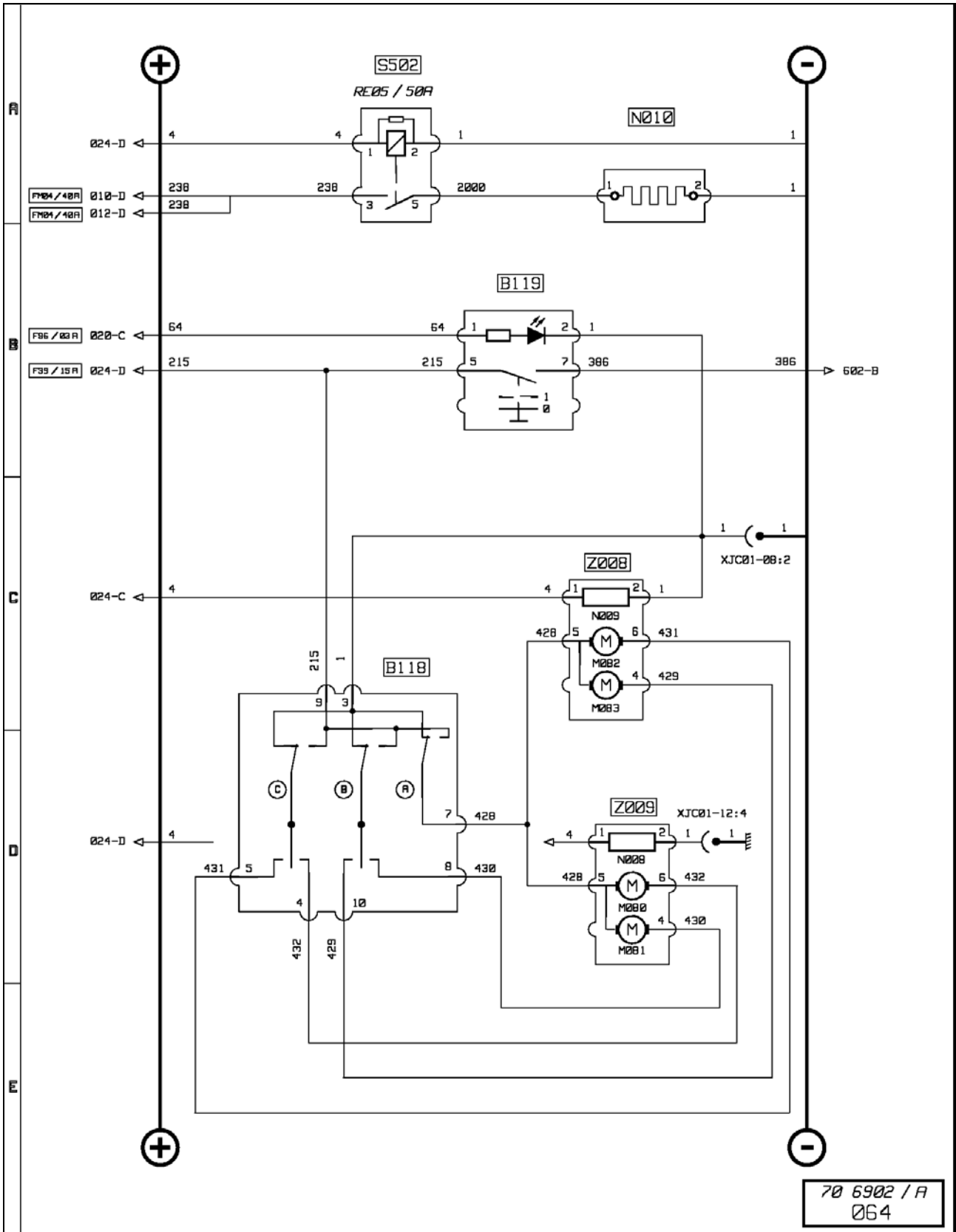


## Electric window raisers

### Key to appliances

Code	Function name	Location
<b>B117</b>	Sun-roof opening / closing control (on dashboard)	B3b
<b>B126</b>	Driver's window winder motor control (driver side)	C2b
<b>B127</b>	Front passenger window winder motor control (front passenger side)	A2b
<b>B130</b>	Front passenger window winder motor control (driver side)	C2b
<b>M056</b>	Driver's door window winder motor	C3c
<b>M057</b>	Front passenger's door window winder motor	A3c
<b>M060</b>	Electric roof air vent motor	B3a

### Swivelling defrosting rearview mirrors

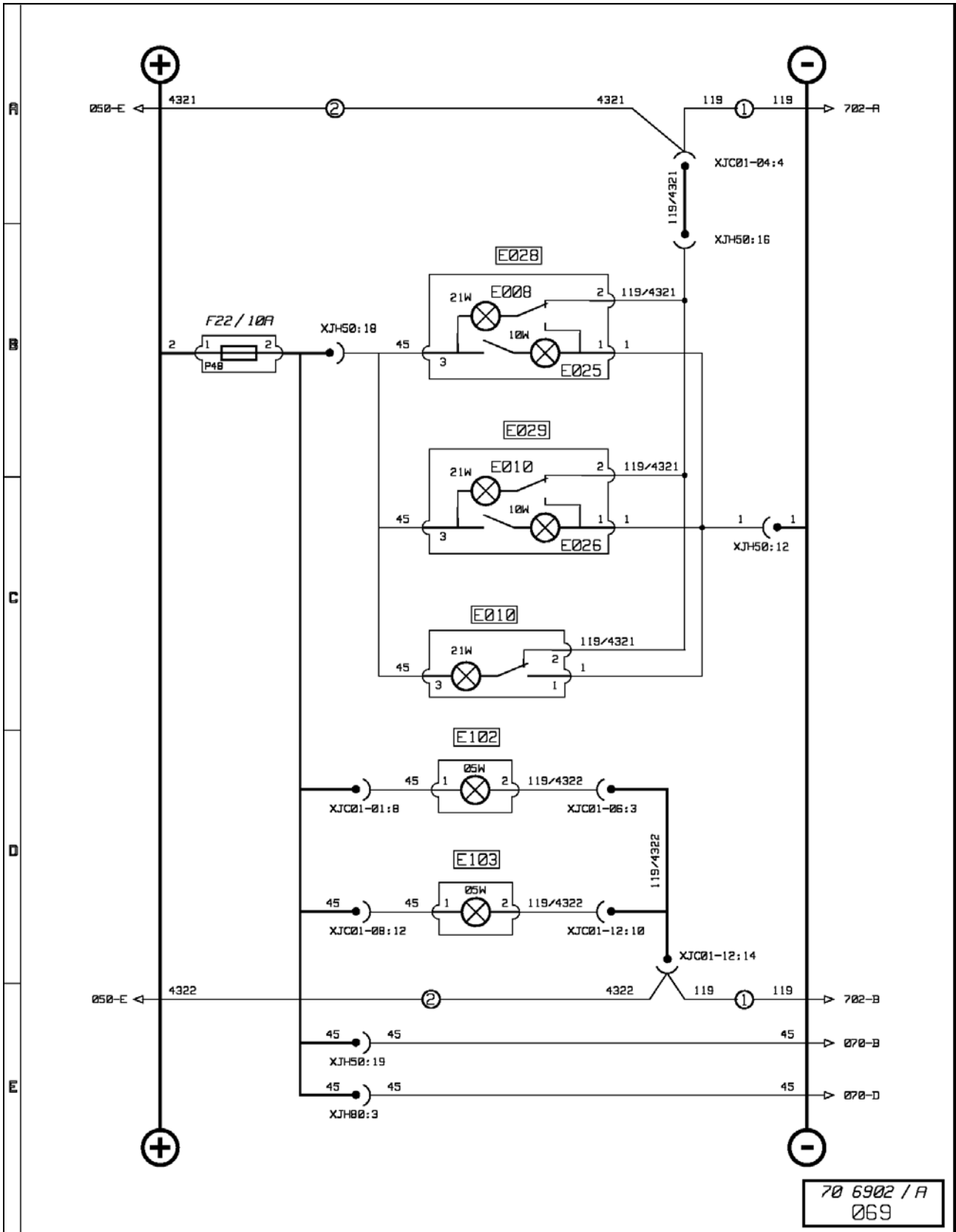


## Swivelling defrosting rearview mirrors

### Key to appliances

Code	Function name	Location
<b>B118</b>	Swivelling rearview mirrors and alarm siren adjustment control	B3b
<b>B119</b>	Rearview mirrors and windscreen defrosting control	B3b
<b>M080</b>	RH rearview mirror horizontal swivelling motor	A2a
<b>M081</b>	RH rearview mirror vertical swivelling motor	A2a
<b>M082</b>	LH rearview mirror horizontal swivelling motor	C2a
<b>M083</b>	LH rearview mirror vertical swivelling motor	C2a
<b>N008</b>	LH defrosting rearview mirror resistor	C2a
<b>N009</b>	RH defrosting rearview mirror resistor	A2a
<b>N010</b>	Windscreen defrosting resistor	B1a
<b>S502</b>	Windscreen defrosting control relay	A2b
<b>Z008</b>	Driver's swivelling defrosting rearview mirror	C2a
<b>Z009</b>	Passenger's swivelling defrosting rearview mirror	A2a

Comfort lighting (1/2)



## Comfort lighting (1/2)

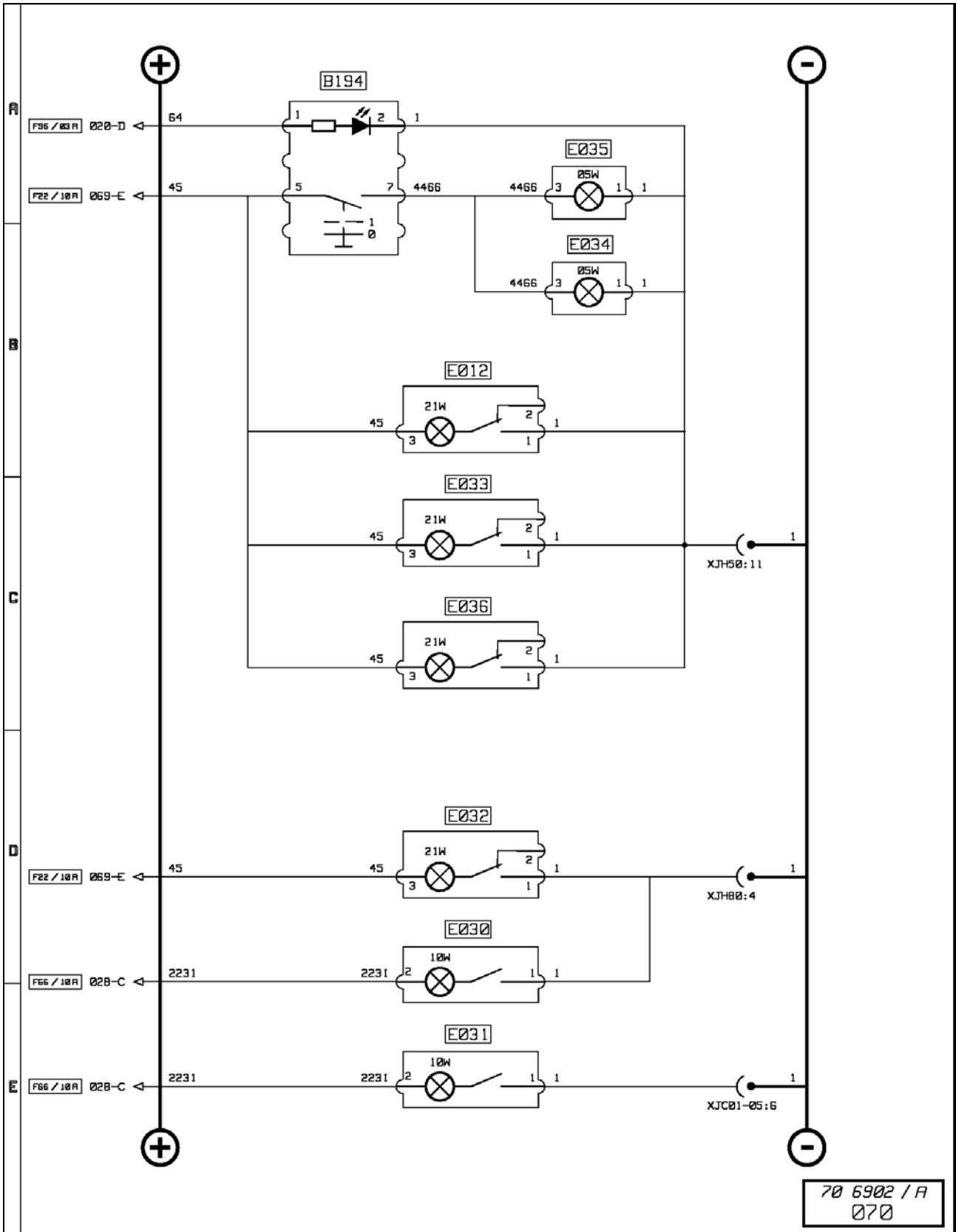
### Key to appliances

Code	Function name	Location
<b>E008</b>	Driver's side single overhead light	C2a
<b>E010</b>	Front passenger's side single overhead light	A2a
<b>E025</b>	Driver's reading spotlight	C2a
<b>E026</b>	Front passenger's reading spotlight	A2a
<b>E028</b>	Driver's overhead light / reading spotlight unit	C2a
<b>E029</b>	Passenger's overhead light / reading spotlight unit	A2a
<b>E102</b>	Driver's side stepwell lighting	C2c
<b>E103</b>	Front passenger's side stepwell lighting	A2c

1: Without lighting management

2: With lighting management

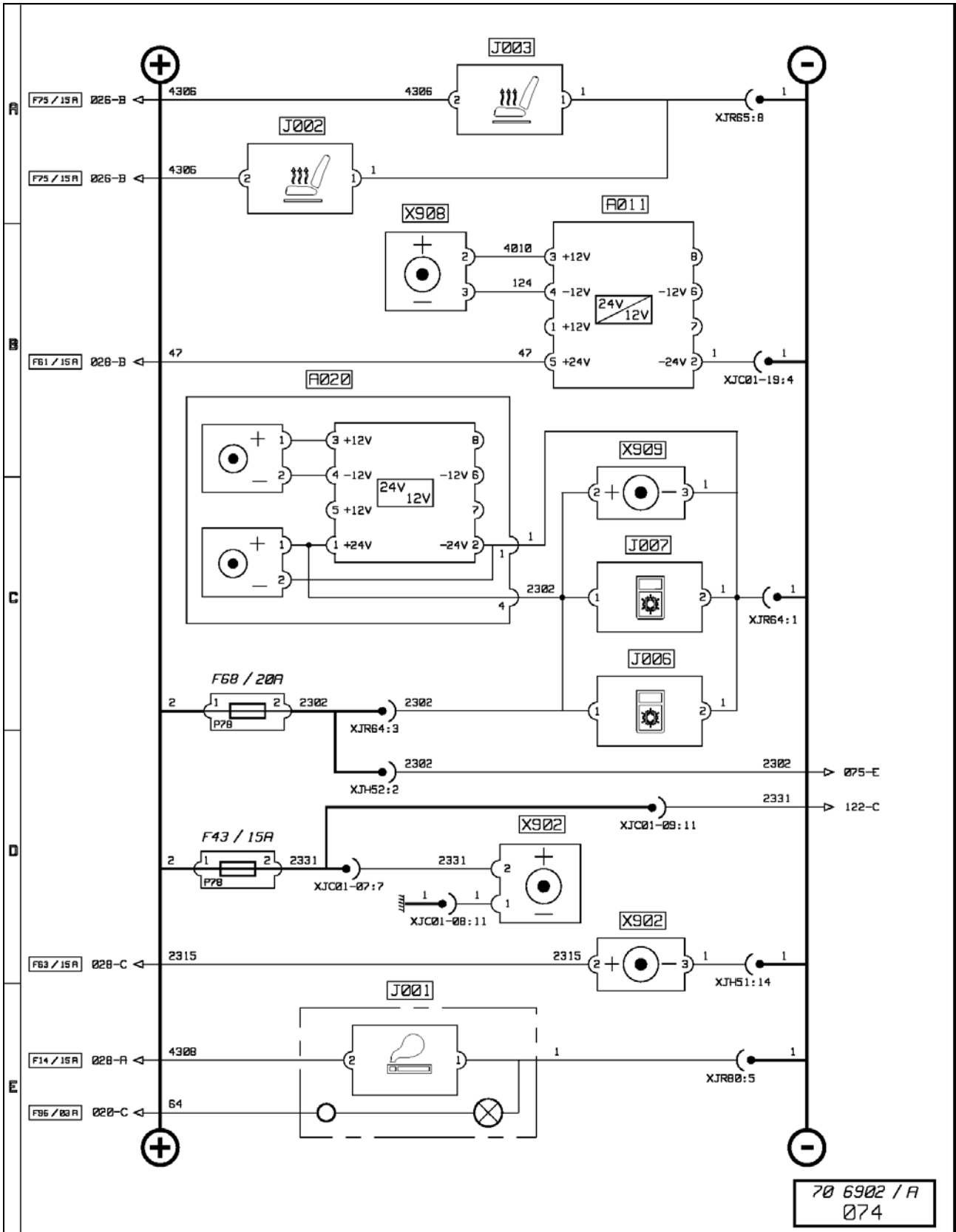
Comfort lighting (2/2)



**Comfort lighting (2/2)****Key to appliances**

<b>Code</b>	<b>Function name</b>	<b>Location</b>
<b>B194</b>	Overhead lighting control (ambience)	C2a
<b>E012</b>	RH upper overhead lighting (door)	A3a
<b>E030</b>	Tool compartment light	C5d
<b>E031</b>	Front grille lighting	B1c
<b>E032</b>	Bottom bunk overhead lighting	C3c
<b>E033</b>	LH upper overhead lighting (door)	C3a
<b>E034</b>	LH overhead lighting (ambience)	C3a
<b>E035</b>	RH overhead lighting (ambience)	A3a
<b>E036</b>	Top bunk overhead lighting	C3a

Comfort accessories

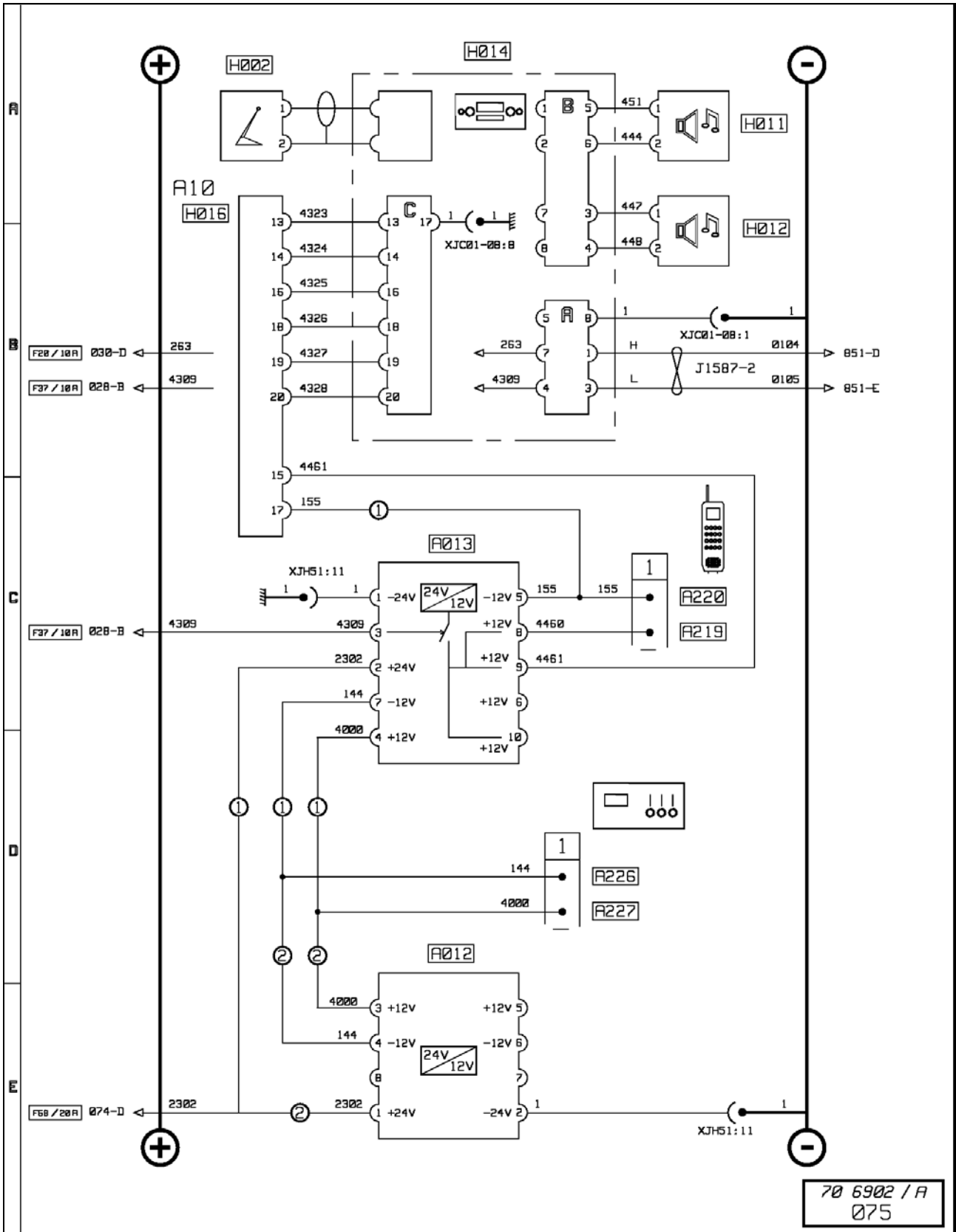




**Comfort accessories****Key to appliances**

<b>Code</b>	<b>Function name</b>	<b>Location</b>
<b>A011</b>	Voltage converter (24 / 12V) for information technology pack	B2b
<b>A020</b>	Voltage converter (24V / 12V) - 12 and 24 Volts integrated sockets	C2a
<b>J001</b>	Cigar lighter	B2b
<b>J002</b>	RH heated seat unit	A3b
<b>J003</b>	LH heated seat unit	C3b
<b>J006</b>	Refrigerated compartment	B4b
<b>J007</b>	Refrigerator	B4b
<b>X902</b>	24 Volts power supply socket	A2a
<b>X908</b>	12 Volts power supply socket	B2b
<b>X909</b>	Extra 24 Volts power supply socket	A2a

Radio, CB radio and telephone



## Radio, CB radio and telephone

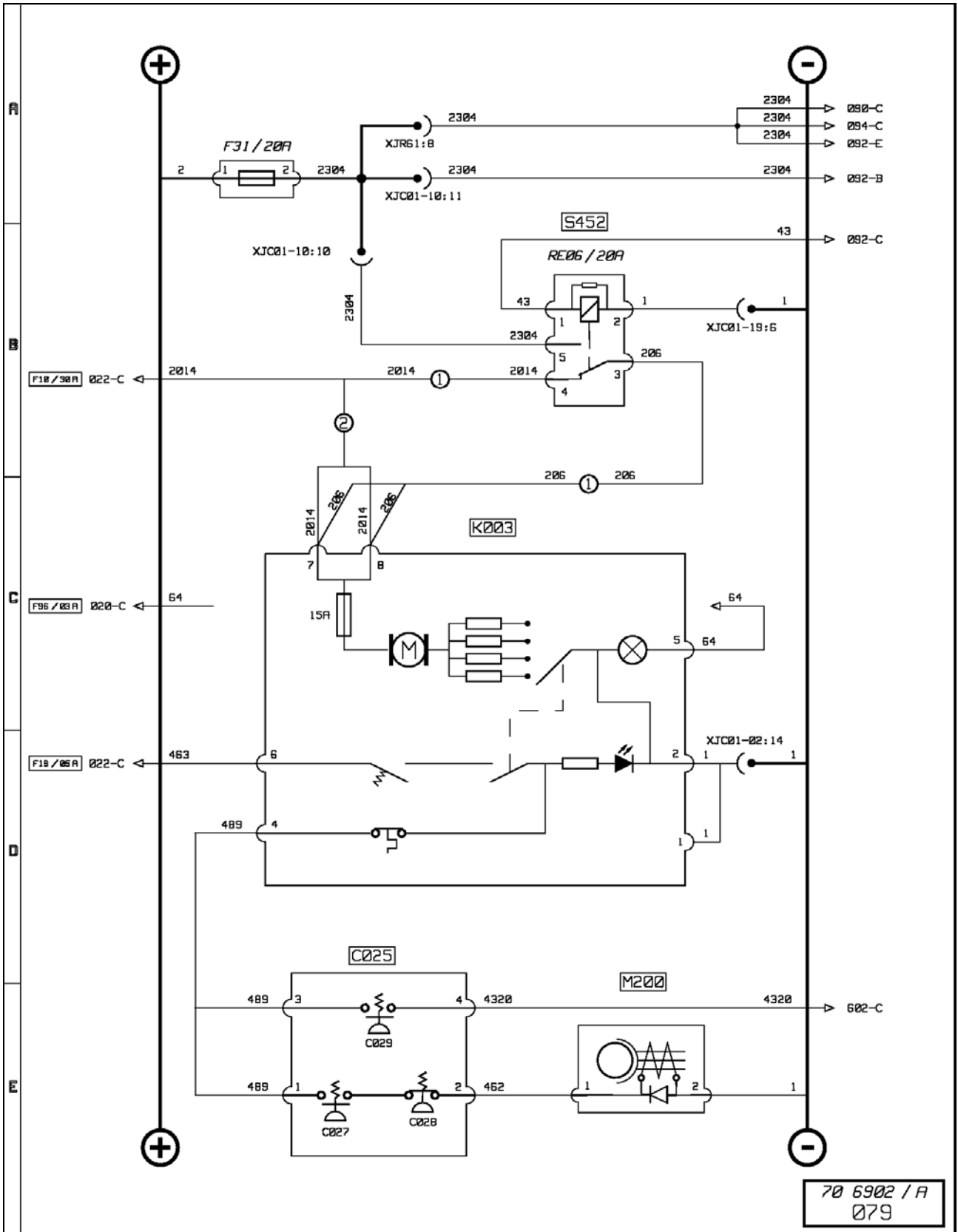
### Key to appliances

Code	Function name	Location
<b>A012</b>	Voltage converter (24 / 12V - 10A) for audio communication system	C2a
<b>A013</b>	Voltage converter (24 / 12V - 15A) for audio communication system	C2a
<b>A219</b>	Available power supply (radio-telephone +)	C2a
<b>A220</b>	Available power supply (radio-telephone -)	C2a
<b>A226</b>	Available power supply (CB -)	C2a
<b>A227</b>	Available power supply (CB +)	C2a
<b>H002</b>	Radio set antenna	A2a
<b>H011</b>	LH front loudspeaker	C2a
<b>H012</b>	RH front loudspeaker	A2a
<b>H014</b>	Radio set	B2b
<b>H016</b>	CD player	C2a

1: with voltage dropper **15** Amps

2: with voltage dropper **10** Amps

Air conditioning



## Air conditioning

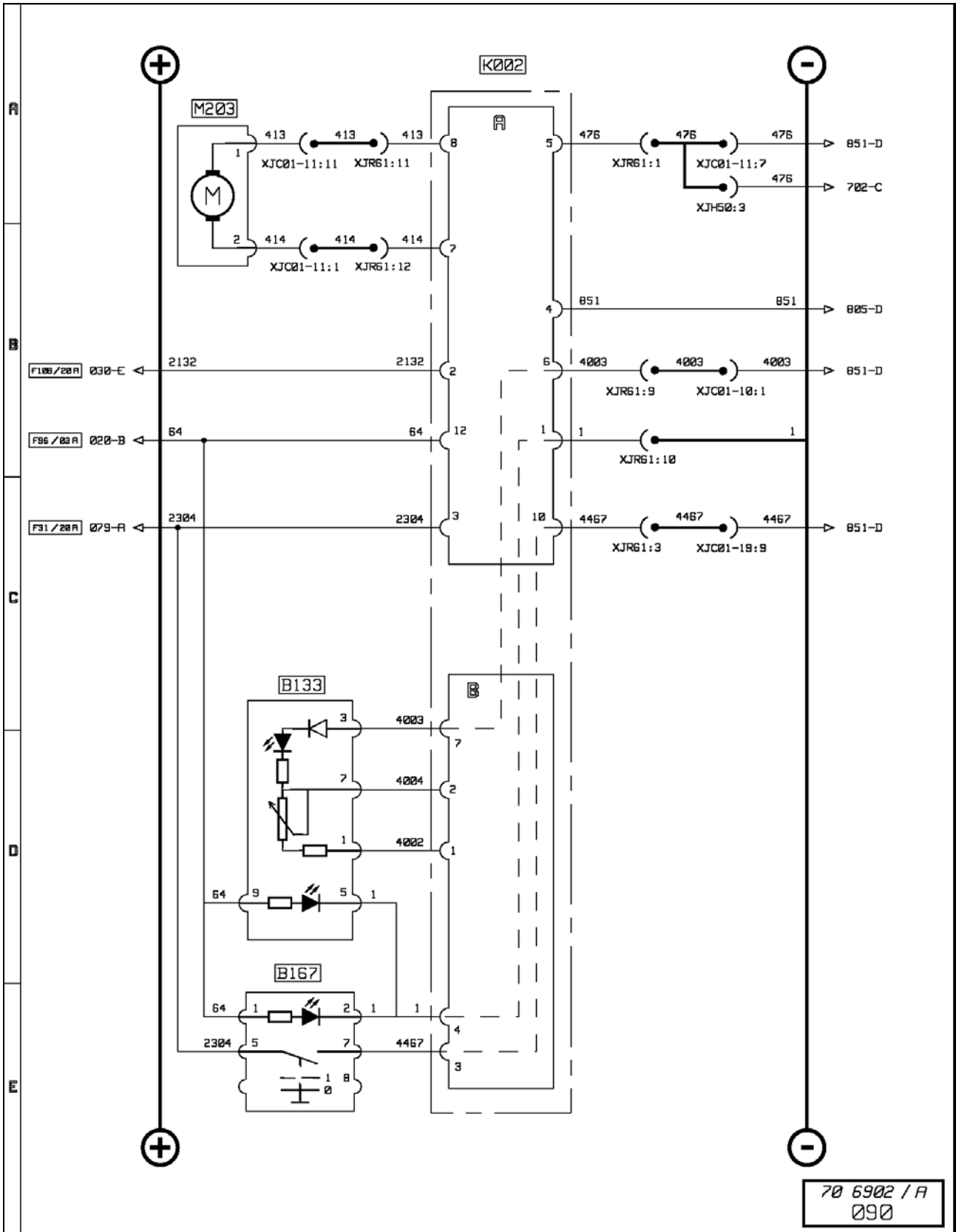
### Key to appliances

Code	Function name	Location
<b>C025</b>	3-level air conditioning pressure sensor	B1c
<b>C027</b>	Low level air conditioning pressure sensor	B1c
<b>C028</b>	High level air conditioning pressure sensor	B1c
<b>C029</b>	Intermediate level air conditioning pressure sensor	B1c
<b>K003</b>	Air conditioning ECU	B2b
<b>M200</b>	Air conditioning compressor electric clutch	B3d
<b>S452</b>	Air conditioning fan piloting relay	A2b

1: with independent heating "**Thermo 90S**"

2: without independent heating "**Thermo 90S**"

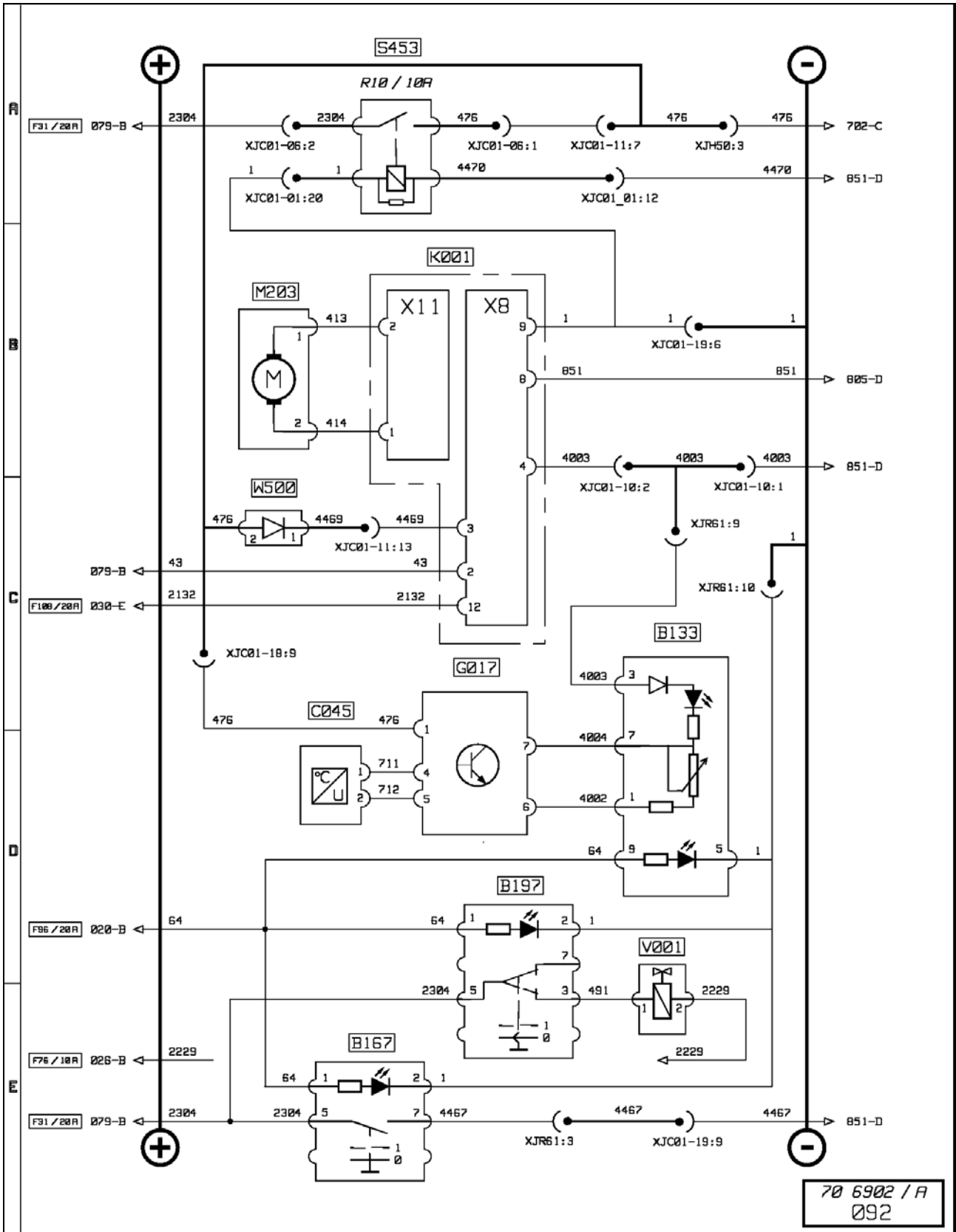
Independent (add-on) heating "AT2000 ST"



**Independent (add-on) heating "AT2000 ST"****Key to appliances**

<b>Code</b>	<b>Function name</b>	<b>Location</b>
<b>B133</b>	Add-on heater timer control	C3b
<b>B167</b>	Cab add-on heater control	B3c
<b>K002</b>	Air/air add-on heater	B2b
<b>M203</b>	Add-on heater fuel pump motor	A4d

## Independent (add-on) heating "Thermo 90S"

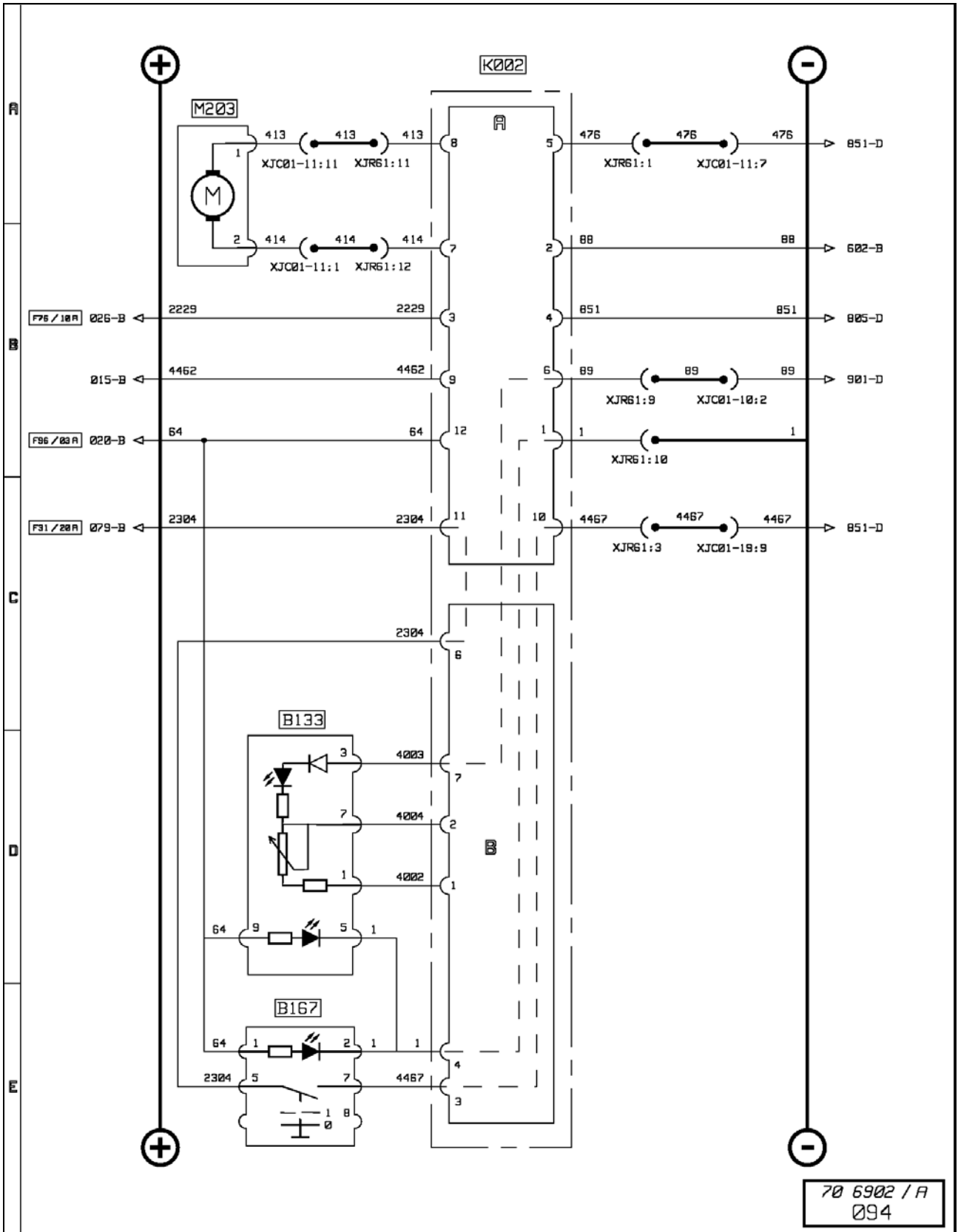




**Independent (add-on) heating "Thermo 90S"****Key to appliances**

<b>Code</b>	<b>Function name</b>	<b>Location</b>
<b>B133</b>	Add-on heater timer control	C3b
<b>B167</b>	Cab add-on heater control	B3c
<b>B197</b>	Coolant circuit solenoid valve control	A4a
<b>C045</b>	Internal temperature sensor	C3b
<b>G017</b>	Cab temperature regulation ECU	A4c
<b>K001</b>	Air/water add-on heater	A4c
<b>M203</b>	Add-on heater fuel pump motor	A4d
<b>S453</b>	Add-on heater power supply relay	A2c
<b>V001</b>	Air/water add-on heater solenoid valve	A4d
<b>W500</b>	Diode(s)	B2c

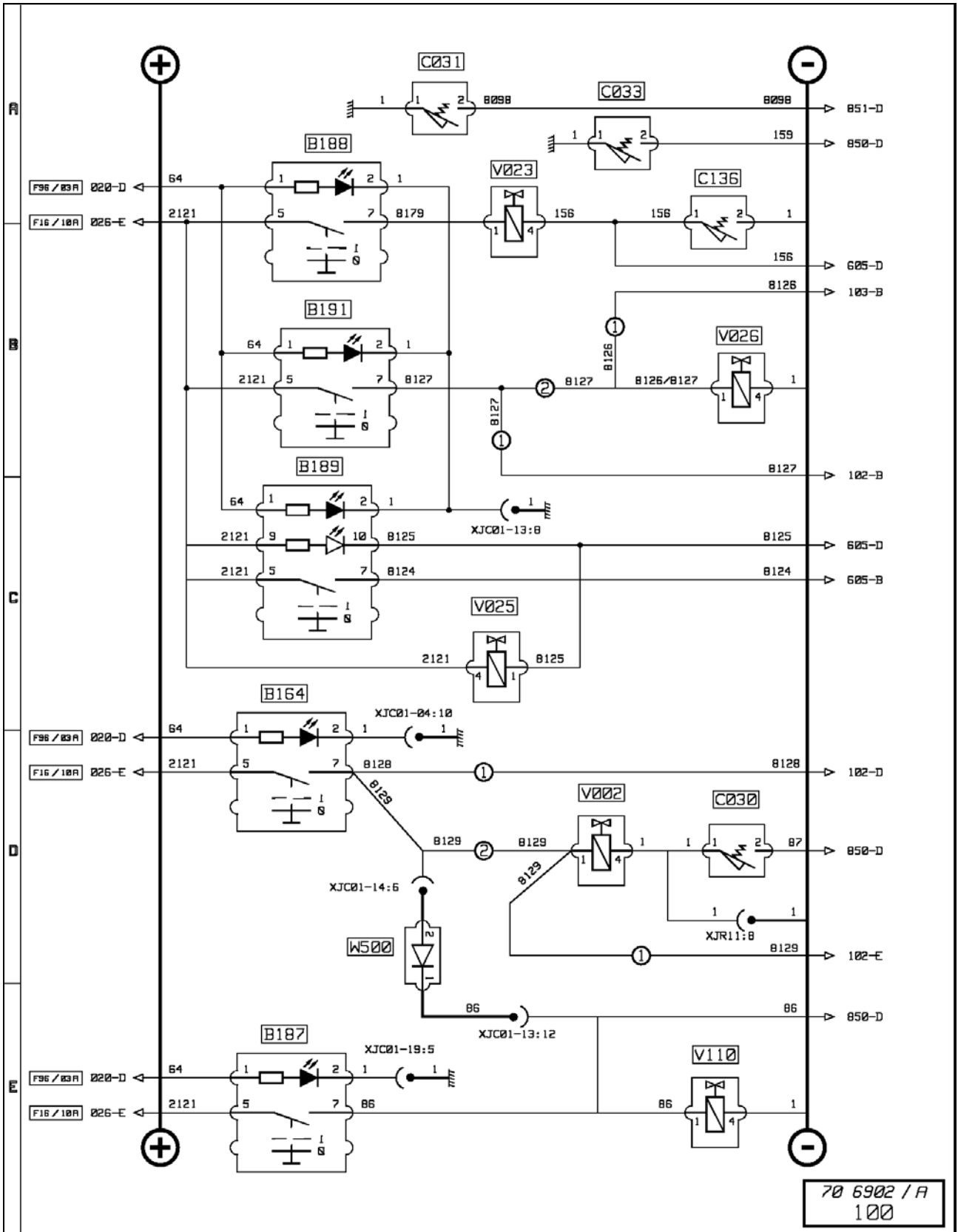
Independent (add-on) heating "AT2000 ST (ADR)"



**Independent (add-on) heating "AT2000 ST (ADR)"****Key to appliances**

<b>Code</b>	<b>Function name</b>	<b>Location</b>
<b>B133</b>	Add-on heater timer control	C4a
<b>B167</b>	Cab add-on heater control	C4a
<b>K002</b>	Air/air add-on heater	B2b
<b>M203</b>	Add-on heater fuel pump motor	C4d

Differential lock



## Differential lock

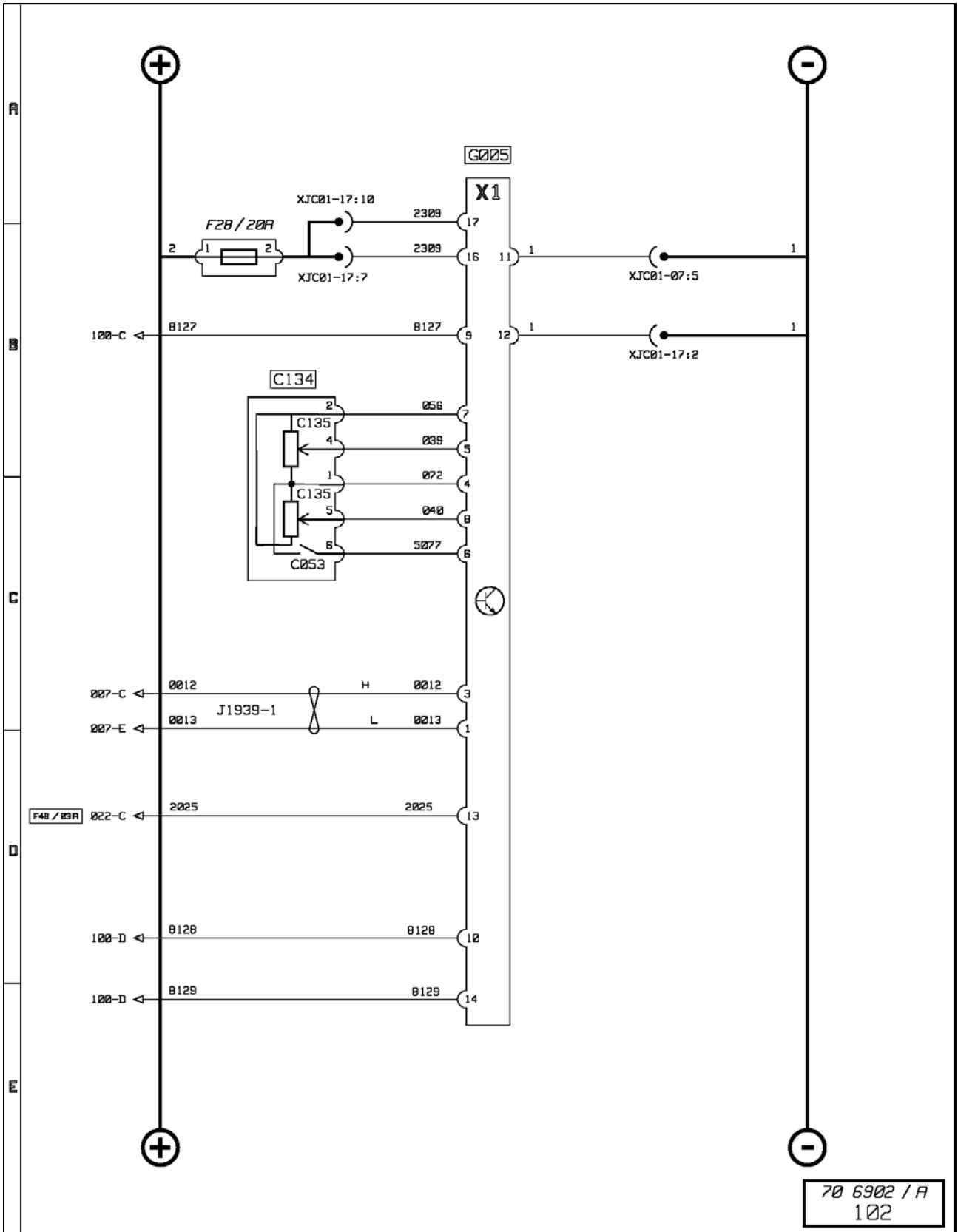
### Key to appliances

Code	Function name	Location
<b>B164</b>	Rear wheels diff. lock control	C2b
<b>B187</b>	Inter-axle diff. lock control	B2b
<b>B188</b>	Front wheels diff. lock control	B2b
<b>B189</b>	Selection control	B2b
<b>B191</b>	Transfer box diff. lock control	B2b
<b>C030</b>	Rear inter-axle diff. lock engaged sensor	B7d
<b>C031</b>	Front inter-axle diff. lock engaged sensor	B3d
<b>C033</b>	Transfer box inter-axle diff. lock position sensor	B4d
<b>C136</b>	Gearbox "low speed" position sensor	B4d
<b>V002</b>	Rear wheels diff. lock electrovalve	B7d
<b>V023</b>	VTC engine brake electrovalve	B3c
<b>V025</b>	"Low speed" selection control electrovalve	B4d
<b>V026</b>	Transfer box diff. lock control solenoid valve	B4d
<b>V110</b>	Inter-axle diff. lock electrovalve	B9d
<b>W500</b>	Diode(s)	A2b

1: with "EBS" braking system

2: without "EBS" braking system

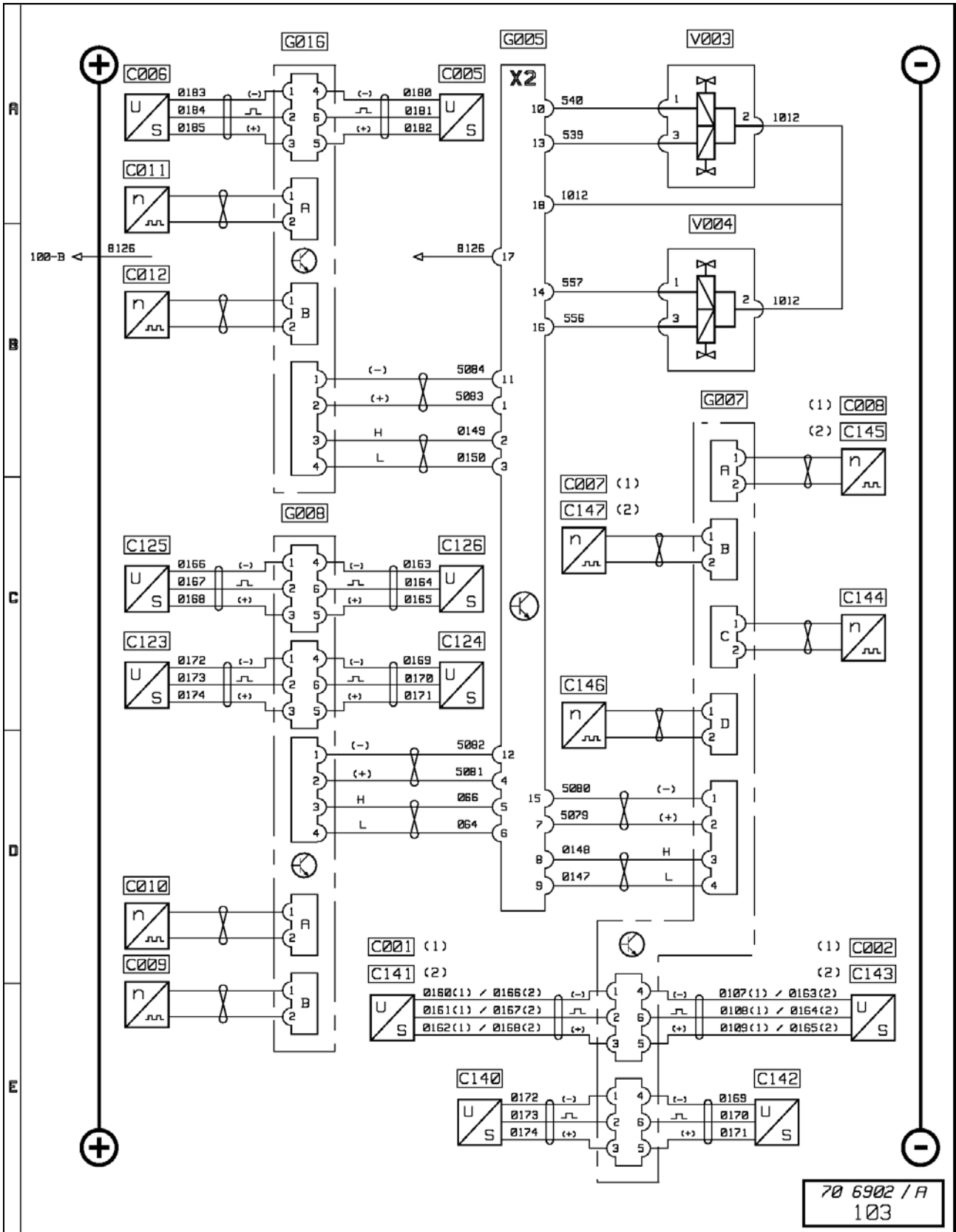
EBS braking system (1/7)



**EBS braking system (1/7)****Key to appliances**

<b>Code</b>	<b>Function name</b>	<b>Location</b>
<b>C053</b>	Stop lights switch	C2c
<b>C134</b>	Brake pedal sensor unit	C2c
<b>C135</b>	Brake pedal position copying sensor	C2c
<b>G005</b>	EBS braking management ECU	A2b

EBS braking system (2/7)





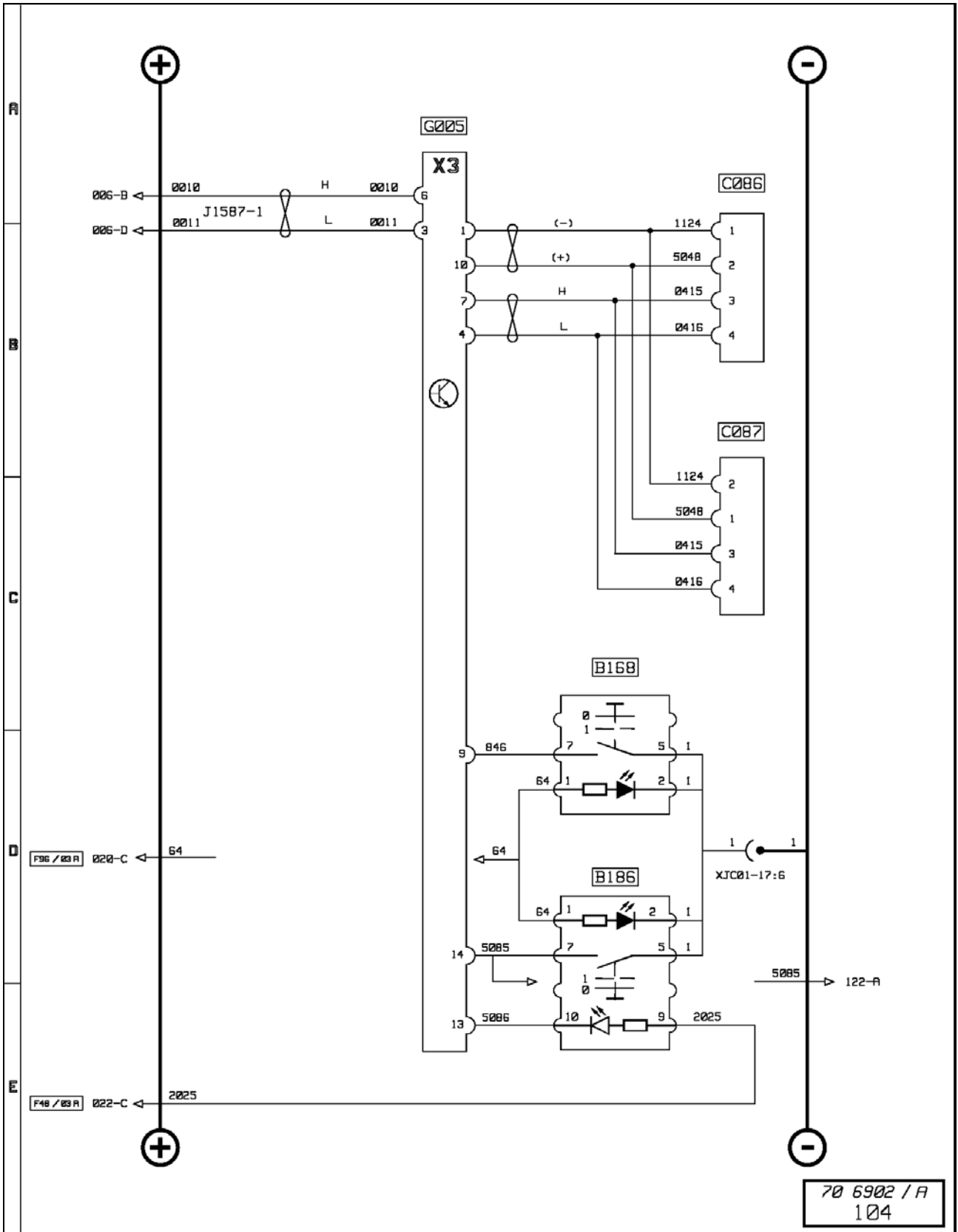
**EBS braking system (2/7)****Key to appliances**

Code	Function name	Location
<b>C001</b>	LH front wheel brake linings wear sensor	C3d
<b>C002</b>	RH front wheel brake linings wear sensor	A3d
<b>C005</b>	Lift-up axle or second rear axle LH wheel brake linings wear sensor	C8d
<b>C006</b>	Lift-up axle or second rear axle RH wheel brake linings wear sensor	A8d
<b>C007</b>	LH front wheel speed sensor	C3d
<b>C008</b>	RH front wheel speed sensor	A3d
<b>C009</b>	LH rear wheel speed sensor	C7d
<b>C010</b>	RH rear wheel speed sensor	A7d
<b>C011</b>	Lift-up axle or second rear axle LH wheel speed sensor	C8d
<b>C012</b>	Lift-up axle or second rear axle RH wheel speed sensor	A8d
<b>C123</b>	LH rear wheel brake linings wear sensor (drive axle N° 1)	C7d
<b>C124</b>	RH rear wheel brake linings wear sensor (drive axle N° 1)	A7d
<b>C125</b>	LH rear wheel brake linings wear sensor (drive axle N° 2)	C8d
<b>C126</b>	RH rear wheel brake linings wear sensor (drive axle N° 2)	A8d
<b>C140</b>	LH front wheel brake linings wear sensor (drive axle or axle N° 2)	C4d
<b>C141</b>	RH front wheel brake linings wear sensor (drive axle or axle N° 2)	A4d
<b>C142</b>	LH front wheel brake linings wear sensor (drive axle or axle N° 1)	C3d
<b>C143</b>	RH front wheel brake linings wear sensor (drive axle or axle N° 1)	A3d
<b>C144</b>	LH front wheel speed sensor (drive axle or axle N° 1)	C3d
<b>C145</b>	RH front wheel speed sensor (drive axle or axle N° 1)	A3d
<b>C146</b>	LH front wheel speed sensor (drive axle or axle N° 2)	C4d
<b>C147</b>	RH front wheel speed sensor (drive axle or axle N° 2)	A4d
<b>G005</b>	EBS braking management ECU	A2b
<b>G007</b>	Front axle braking assistance modulator unit	C2d
<b>G008</b>	Drive axle braking assistance modulator unit	B7d
<b>G016</b>	Second rear axle braking assistance modulator unit	B8d
<b>V003</b>	LH roadwheel ABS electrovalve	C3d
<b>V004</b>	RH roadwheel ABS electrovalve	A3d

(1): With 1 drive axles or 1 front axles

(2): With 2 drive axles or 2 front axles

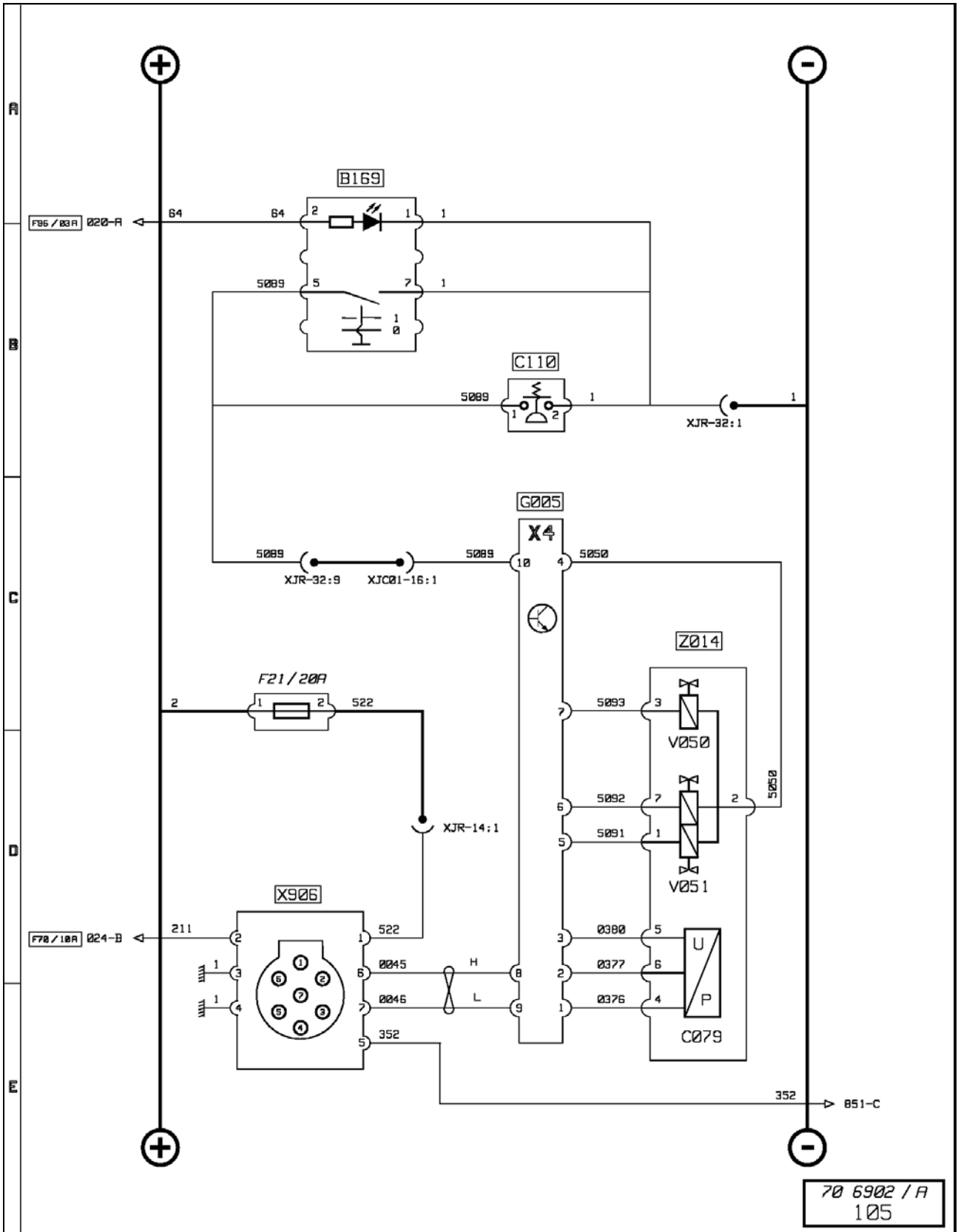
EBS braking system (3/7)



**EBS braking system (3/7)****Key to appliances**

<b>Code</b>	<b>Function name</b>	<b>Location</b>
<b>B168</b>	Traction control enabling control	B2b
<b>B186</b>	Brake holding enabling control	B2b
<b>C086</b>	Steering lockover angle sensor	C2c
<b>C087</b>	Chassis lateral acceleration sensor	B6d
<b>G005</b>	EBS braking management ECU	A2b

EBS braking system (4/7)



**EBS braking system (4/7)****Key to appliances**

<b>Code</b>	<b>Function name</b>	<b>Location</b>
<b>B169</b>	Trailer brake holding enabling control	C2C
<b>C079</b>	Trailer braking assistance pressure system sensor	B6d
<b>C110</b>	Parking brake indicator pressure sensor	B7d
<b>G005</b>	EBS braking management ECU	A2b
<b>V050</b>	Braking auxiliary electrovalve	B6d
<b>V051</b>	Trailer braking inlet/exhaust electrovalve	B6d
<b>X906</b>	ABS/EBS trailer socket	B4d
<b>Z014</b>	Trailer brake control EBS modulator unit	B6d

**EBS braking system (5/7)****EBS braking system 4x2 / 4x4**

EBS table

<b>Axle spreads or options → Appliances ↓</b>	<b>Basic Solo 4x2/ 4x4</b>	<b>Basic + Solo 4x2</b>	<b>Full Solo 4x2</b>	<b>Basic 4x2/ 4x4</b>	<b>Basic + 4x2</b>	<b>Full 4x2</b>	<b>With VFR *</b>	<b>With out VFR *</b>	<b>With BDS °</b>
<b>B168 / B186</b>		<b>X</b>	<b>X</b>		<b>X</b>	<b>X</b>			
<b>C001 / C002</b>		<b>X</b>	<b>X</b>		<b>X</b>	<b>X</b>			
<b>C005 / C006</b>									
<b>C007 / C008</b>	<b>X</b>	<b>X</b>	<b>X</b>	<b>X</b>	<b>X</b>	<b>X</b>			
<b>C009 / C010</b>	<b>X</b>	<b>X</b>	<b>X</b>	<b>X</b>	<b>X</b>	<b>X</b>			
<b>C011 / C012</b>									
<b>C086 / C087</b>			<b>X</b>			<b>X</b>			
<b>C123 / C124</b>									
<b>C125 / C126</b>		<b>X</b>	<b>X</b>		<b>X</b>	<b>X</b>			
<b>C140 / C141</b>									
<b>C142 / C143</b>									
<b>C144 / C145</b>									
<b>C146 / C147</b>									
<b>G016</b>									
<b>Z014</b>				<b>X</b>	<b>X</b>	<b>X</b>			
<b>V003 / V004</b>	<b>X</b>	<b>X</b>	<b>X</b>	<b>X</b>	<b>X</b>	<b>X</b>			
<b>B169</b>				<b>X</b>	<b>X</b>	<b>X</b>		<b>X</b>	
<b>C110</b>	<b>X</b>	<b>X</b>	<b>X</b>	<b>X</b>	<b>X</b>	<b>X</b>	<b>X</b>		
<b>B164 / V002</b>	<b>X</b>	<b>X</b>	<b>X</b>	<b>X</b>	<b>X</b>	<b>X</b>			<b>X</b>

**EBS braking system (5/7 )****Key to appliances**

Code	Function name	Location
<b>B164</b>	Rear wheels diff. lock control	B2b
<b>B168</b>	Traction control enabling control	B2b
<b>B169</b>	Trailer brake holding enabling control	C2c
<b>B186</b>	Brake holding enabling control	C2c
<b>C001</b>	LH front wheel brake linings wear sensor	C3d
<b>C002</b>	RH front wheel brake linings wear sensor	A3d
<b>C005</b>	Lift-up axle or second rear axle LH wheel brake linings wear sensor	C8d
<b>C006</b>	Lift-up axle or second rear axle RH wheel brake linings wear sensor	A8d
<b>C007</b>	LH front wheel speed sensor	C3d
<b>C008</b>	RH front wheel speed sensor	A3d
<b>C009</b>	LH rear wheel speed sensor	C7d
<b>C010</b>	RH rear wheel speed sensor	A7d
<b>C011</b>	Lift-up axle or second rear axle LH wheel speed sensor	C8d
<b>C012</b>	Lift-up axle or second rear axle RH wheel speed sensor	A8d
<b>C086</b>	Steering lockover angle sensor	C2c
<b>C087</b>	Chassis lateral acceleration sensor	B6d
<b>C123</b>	LH rear wheel brake linings wear sensor (drive axle N° 1)	C7d
<b>C124</b>	RH rear wheel brake linings wear sensor (drive axle N° 1)	A7d
<b>C125</b>	LH rear wheel brake linings wear sensor (drive axle N° 2)	C8d
<b>C126</b>	RH rear wheel brake linings wear sensor (drive axle N° 2)	A8d
<b>C140</b>	LH front wheel brake linings wear sensor (drive axle or axle N° 2)	C4d
<b>C141</b>	RH front wheel brake linings wear sensor (drive axle or axle N° 2)	A4d
<b>C142</b>	LH front wheel brake linings wear sensor (drive axle or axle N° 1)	C3d
<b>C143</b>	RH front wheel brake linings wear sensor (drive axle or axle N° 1)	A3d
<b>C144</b>	LH front wheel speed sensor (drive axle or axle N° 1)	C3d
<b>C145</b>	RH front wheel speed sensor (drive axle or axle N° 1)	A3d
<b>C146</b>	LH front wheel speed sensor (drive axle or axle N° 2)	C4d
<b>C147</b>	RH front wheel speed sensor (drive axle or axle N° 2)	A4d
<b>C110</b>	Parking brake indicator pressure sensor	B6d
<b>G016</b>	Second rear axle braking assistance modulator unit	B7d
<b>V002</b>	Rear wheels diff. lock electrovalve	B9d
<b>V003</b>	LH roadwheel ABS electrovalve	C3d
<b>V004</b>	RH roadwheel ABS electrovalve	A3d
<b>Z014</b>	Trailer brake control EBS modulator unit	B6d

\* VFR = Trailer brake valve

° BDS = Synchronized diff. lock

**EBS braking system (6/7)****EBS braking system 6x2 / 6x4**

EBS table

<b>Axle spreads or options → Appliances ↓</b>	<b>Basic + Solo 6x2</b>	<b>Basic + 6x2</b>	<b>Full 6x2</b>	<b>Basic Solo 6x4</b>	<b>Basic + Solo 6x4</b>	<b>Basic 6x4</b>	<b>Basic + 6x4</b>	<b>Full 6x4</b>	<b>With VFR *</b>	<b>With out VFR *</b>	<b>With BDS °</b>
<b>B168 / B186</b>	x	x	x		x		x	x			
<b>C001 / C002</b>	x	x	x		x		x	x			
<b>C005 / C006</b>	x	x	x								
<b>C007 / C008</b>	x	x	x	x	x	x	x	x			
<b>C009 / C010</b>	x	x	x	x	x	x	x	x			
<b>C011 / C012</b>	x	x	x								
<b>C086 / C087</b>			x					x			
<b>C123 / C124</b>					x		x	x			
<b>C125 / C126</b>	x	x	x		x		x	x			
<b>C140 / C141</b>											
<b>C142 / C143</b>											
<b>C144 / C145</b>											
<b>C146 / C147</b>											
<b>G016</b>	x	x	x								
<b>Z014</b>		x	x			x	x	x			
<b>V003 / V004</b>	x	x	x	x	x	x	x	x			
<b>B169</b>		x	x			x	x	x		x	
<b>C110</b>	x	x	x	x	x	x	x	x	x		
<b>B164 / V002</b>	x	x	x								x



**EBS braking system (6/7)****Key to appliances**

Code	Function name	Location
<b>B164</b>	Rear wheels diff. lock control	B2b
<b>B168</b>	Traction control enabling control	B2b
<b>B169</b>	Trailer brake holding enabling control	C2c
<b>B186</b>	Brake holding enabling control	C2c
<b>C001</b>	LH front wheel brake linings wear sensor	C3d
<b>C002</b>	RH front wheel brake linings wear sensor	A3d
<b>C005</b>	Lift-up axle or second rear axle LH wheel brake linings wear sensor	C8d
<b>C006</b>	Lift-up axle or second rear axle RH wheel brake linings wear sensor	A8d
<b>C007</b>	LH front wheel speed sensor	C3d
<b>C008</b>	RH front wheel speed sensor	A3d
<b>C009</b>	LH rear wheel speed sensor	C7d
<b>C010</b>	RH rear wheel speed sensor	A7d
<b>C011</b>	Lift-up axle or second rear axle LH wheel speed sensor	C8d
<b>C012</b>	Lift-up axle or second rear axle RH wheel speed sensor	A8d
<b>C086</b>	Steering lockover angle sensor	C2c
<b>C087</b>	Chassis lateral acceleration sensor	B6d
<b>C123</b>	LH rear wheel brake linings wear sensor (drive axle N° 1)	C7d
<b>C124</b>	RH rear wheel brake linings wear sensor (drive axle N° 1)	A7d
<b>C125</b>	LH rear wheel brake linings wear sensor (drive axle N° 2)	C8d
<b>C126</b>	RH rear wheel brake linings wear sensor (drive axle N° 2)	A8d
<b>C140</b>	LH front wheel brake linings wear sensor (drive axle or axle N° 2)	C4d
<b>C141</b>	RH front wheel brake linings wear sensor (drive axle or axle N° 2)	A4d
<b>C142</b>	LH front wheel brake linings wear sensor (drive axle or axle N° 1)	C3d
<b>C143</b>	RH front wheel brake linings wear sensor (drive axle or axle N° 1)	A3d
<b>C144</b>	LH front wheel speed sensor (drive axle or axle N° 1)	C3d
<b>C145</b>	RH front wheel speed sensor (drive axle or axle N° 1)	A3d
<b>C146</b>	LH front wheel speed sensor (drive axle or axle N° 2)	C4d
<b>C147</b>	RH front wheel speed sensor (drive axle or axle N° 2)	A4d
<b>C110</b>	Parking brake indicator pressure sensor	B6d
<b>G016</b>	Second rear axle braking assistance modulator unit	B7d
<b>V002</b>	Rear wheels diff. lock electrovalve	B9d
<b>V003</b>	LH roadwheel ABS electrovalve	C3d
<b>V004</b>	RH roadwheel ABS electrovalve	A3d
<b>Z014</b>	Trailer brake control EBS modulator unit	B6d

\* VFR = Trailer brake valve

° BDS = Synchronized diff. lock

**EBS braking system (7/7)****EBS braking system 8x2 / 8x4**

EBS table

Axle spreads or options → Appliances ↓	Basic Solo 8x4	Basic + Solo 8x4	Basic 8x4	Basic + 8x4	Basic Solo 8x2	Basic + Solo 8x2	Basic 8x2	Basic + 8x2	With VFR *	With out VFR *	With BDS °
<b>B168 / B186</b>		x		x		x		x			
<b>C001 / C002</b>											
<b>C005 / C006</b>						x		x			
<b>C007 / C008</b>											
<b>C009 / C010</b>	x	x	x	x	x	x	x	x			
<b>C011 / C012</b>					x	x	x	x			
<b>C086 / C087</b>											
<b>C123 / C124</b>		x		x							
<b>C125 / C126</b>		x		x		x		x			
<b>C140 / C141</b>		x		x		x		x			
<b>C142 / C143</b>		x		x		x		x			
<b>C144 / C145</b>	x	x	x	x	x	x	x				
<b>C146 / C147</b>	x	x	x	x	x	x	x	x			
<b>G016</b>					x	x	x	x			
<b>Z014</b>			x	x			x	x			
<b>V003 / V004</b>											
<b>B169</b>			x	x			x	x		x	
<b>C110</b>	x	x	x	x	x	x	x	x	x		
<b>B164 / V002</b>					x	x	x	x			x

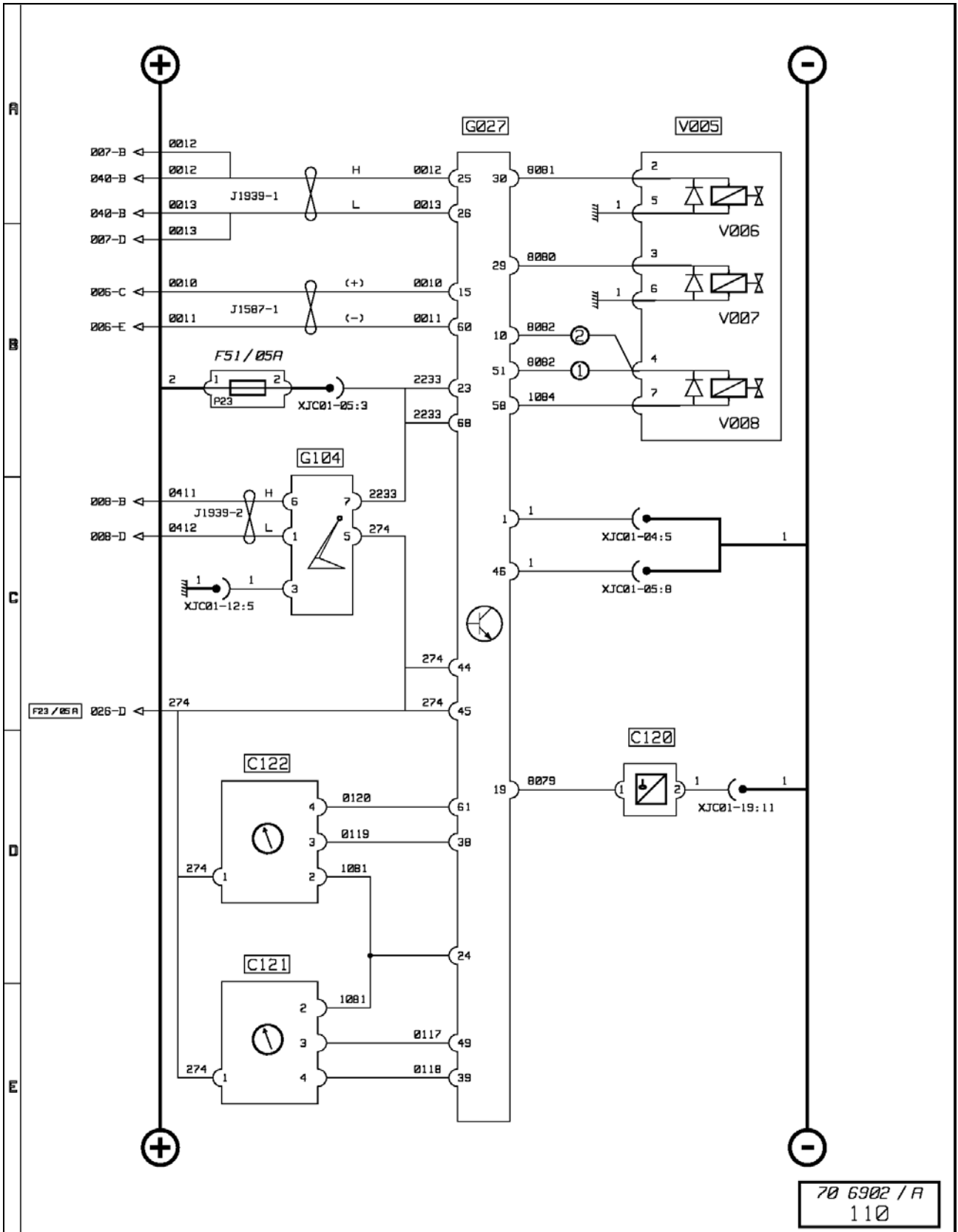
**EBS braking system (7/7)****Key to appliances**

Code	Function name	Location
<b>B164</b>	Rear wheels diff. lock control	B2b
<b>B168</b>	Traction control enabling control	B2b
<b>B169</b>	Trailer brake holding enabling control	C2c
<b>B186</b>	Brake holding enabling control	C2c
<b>C001</b>	LH front wheel brake linings wear sensor	C3d
<b>C002</b>	RH front wheel brake linings wear sensor	A3d
<b>C005</b>	Lift-up axle or second rear axle LH wheel brake linings wear sensor	C8d
<b>C006</b>	Lift-up axle or second rear axle RH wheel brake linings wear sensor	A8d
<b>C007</b>	LH front wheel speed sensor	C3d
<b>C008</b>	RH front wheel speed sensor	A3d
<b>C009</b>	LH rear wheel speed sensor	C7d
<b>C010</b>	RH rear wheel speed sensor	A7d
<b>C011</b>	Lift-up axle or second rear axle LH wheel speed sensor	C8d
<b>C012</b>	Lift-up axle or second rear axle RH wheel speed sensor	A8d
<b>C086</b>	Steering lockover angle sensor	C2c
<b>C087</b>	Chassis lateral acceleration sensor	B6d
<b>C123</b>	LH rear wheel brake linings wear sensor (drive axle N° 1)	C7d
<b>C124</b>	RH rear wheel brake linings wear sensor (drive axle N° 1)	A7d
<b>C125</b>	LH rear wheel brake linings wear sensor (drive axle N° 2)	C8d
<b>C126</b>	RH rear wheel brake linings wear sensor (drive axle N° 2)	A8d
<b>C140</b>	LH front wheel brake linings wear sensor (drive axle or axle N° 2)	C4d
<b>C141</b>	RH front wheel brake linings wear sensor (drive axle or axle N° 2)	A4d
<b>C142</b>	LH front wheel brake linings wear sensor (drive axle or axle N° 1)	C3d
<b>C143</b>	RH front wheel brake linings wear sensor (drive axle or axle N° 1)	A3d
<b>C144</b>	LH front wheel speed sensor (drive axle or axle N° 1)	C3d
<b>C145</b>	RH front wheel speed sensor (drive axle or axle N° 1)	A3d
<b>C146</b>	LH front wheel speed sensor (drive axle or axle N° 2)	C4d
<b>C147</b>	RH front wheel speed sensor (drive axle or axle N° 2)	A4d
<b>C110</b>	Parking brake indicator pressure sensor	B6d
<b>G016</b>	Second rear axle braking assistance modulator unit	B7d
<b>V002</b>	Rear wheels diff. lock electrovalve	B9d
<b>V003</b>	LH roadwheel ABS electrovalve	C3d
<b>V004</b>	RH roadwheel ABS electrovalve	A3d
<b>Z014</b>	Trailer brake control EBS modulator unit	B6d

\* VFR = Trailer brake valve

° BDS = Synchronized diff. lock

Piloted axle

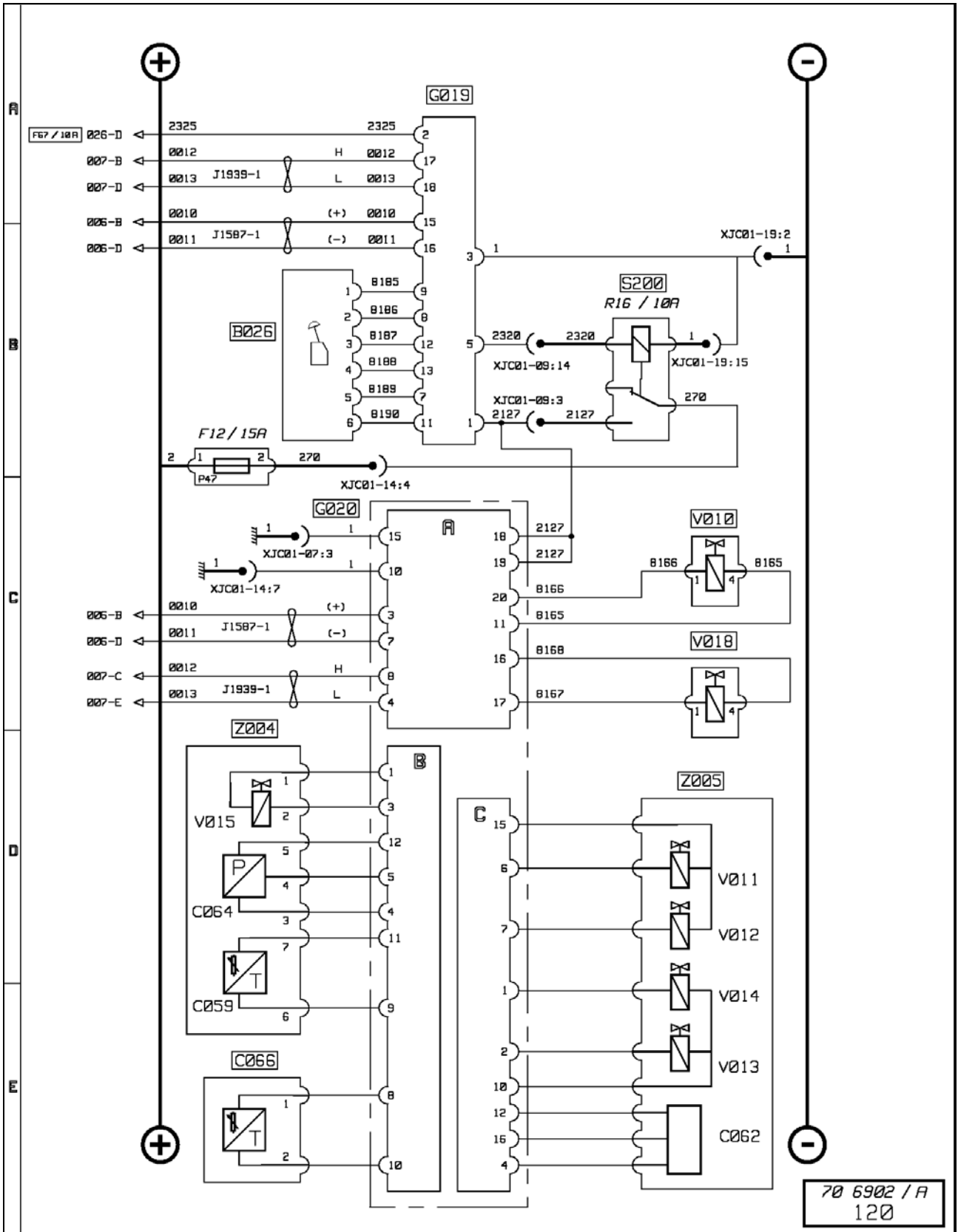


## Piloted axle

### Key to appliances

Code	Function name	Location
<b>C120</b>	Piloted axle oil level sensor	B7d
<b>C121</b>	Piloted axle lockover angle sensor	B7d
<b>C122</b>	Piloted axle lockover angle sensor	B7d
<b>G027</b>	Piloted axle ECU	A2b
<b>G104</b>	Tyre pressures monitoring ECU	A2b
<b>V005</b>	Axle piloting solenoid valve unit	B7d
<b>V006</b>	Locking solenoid valve	B7d
<b>V007</b>	LH steer control solenoid valve	B7d
<b>V008</b>	RH steer control solenoid valve	B7d

Automatic transmission

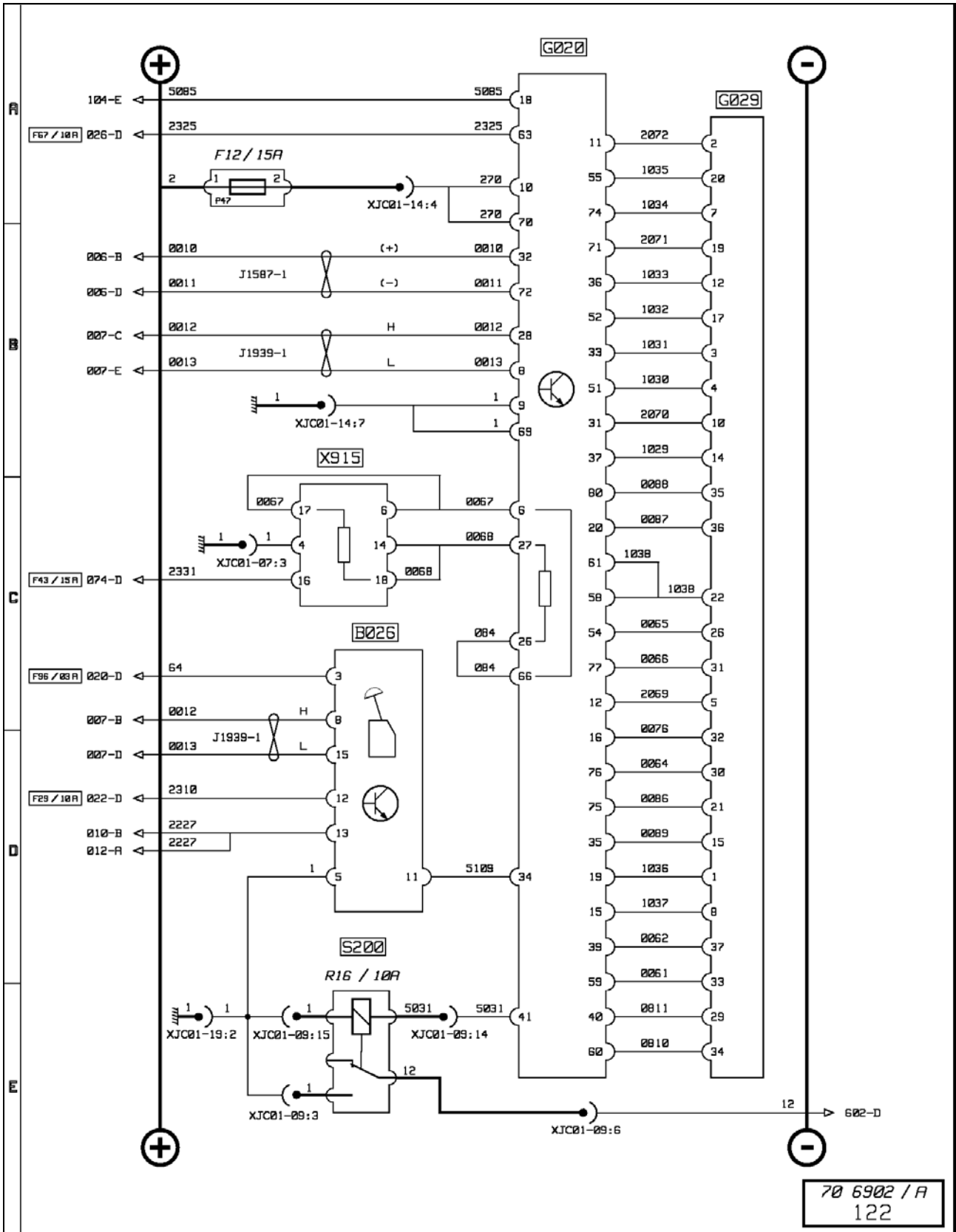


## Automatic transmission

### Key to appliances

Code	Function name	Location
<b>B026</b>	Automatic transmission gear selector	B2b
<b>C059</b>	Retarder oil temperature sensor	B4d
<b>C062</b>	Clutch position sensor	B4d
<b>C064</b>	Retarder air pressure sensor	B4d
<b>C066</b>	Retarder coolant temperature sensor	B4d
<b>G019</b>	Gear selector ECU	A2b
<b>G020</b>	Automatic transmission ECU	B4b
<b>S200</b>	Automatic transmission management ECU power supply relay	A2b
<b>V010</b>	PTO engagement electrovalve N° 1	B4d
<b>V011</b>	High speed disengagement electrovalve	B4d
<b>V012</b>	High speed engagement electrovalve	B4d
<b>V013</b>	Low speed engagement electrovalve	B4d
<b>V014</b>	Low speed disengagement electrovalve	B4d
<b>V015</b>	Retarder proportional electrovalve	B4d
<b>V018</b>	PTO engagement electrovalve N° 2	B4d
<b>Z004</b>	Retarder unit	B4d
<b>Z005</b>	Automatic transmission unit	B4d

Gearbox "ALLISON"

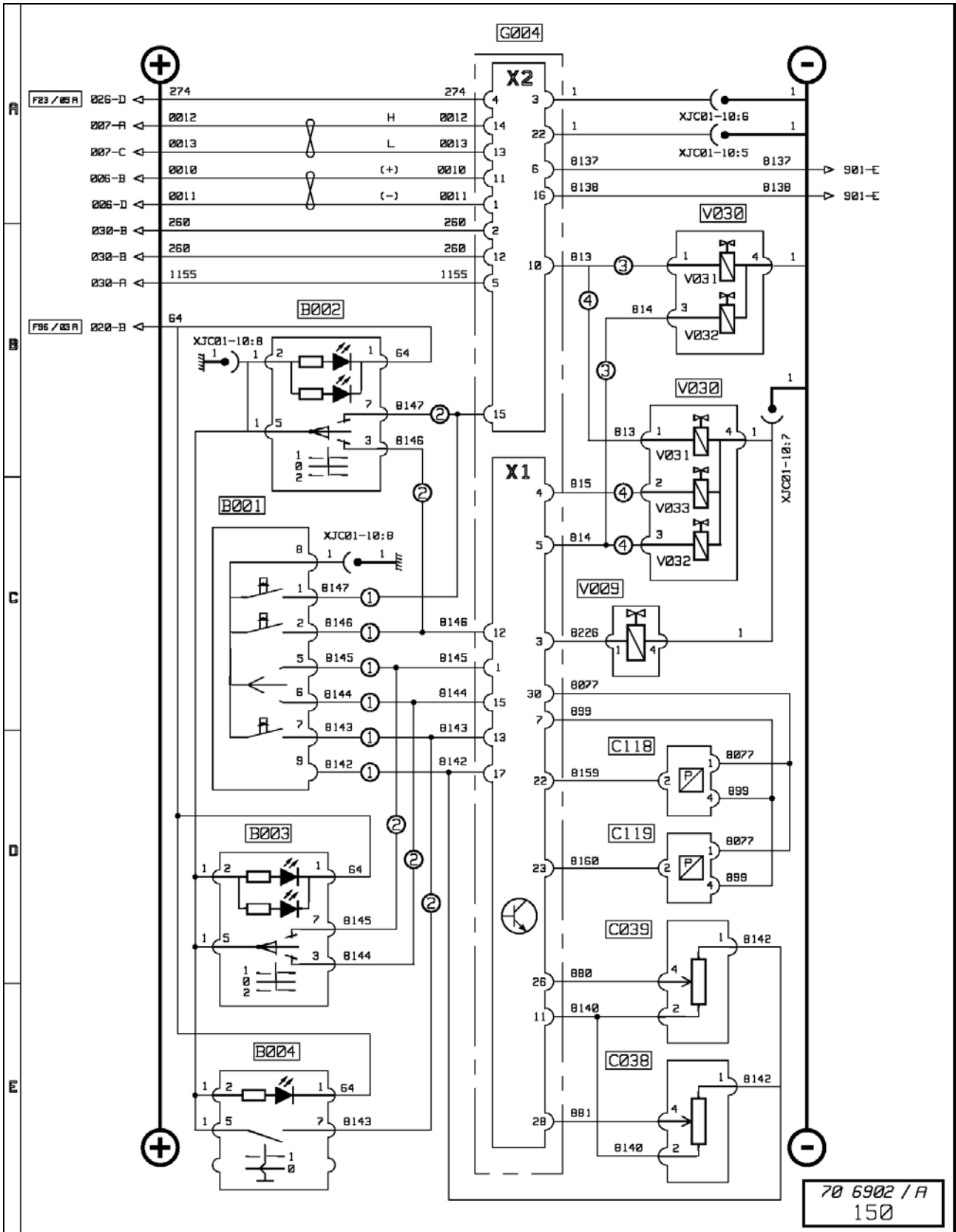




**Gearbox "ALLISON 3000V"****Key to appliances**

<b>Code</b>	<b>Function name</b>	<b>Location</b>
<b>B026</b>	Automatic transmission gear selector	B2b
<b>G020</b>	Automatic transmission ECU	A2b
<b>G029</b>	Automatic transmission sensors / actuators unit	B4d
<b>S200</b>	Automatic transmission management ECU power supply relay	A2b
<b>X915</b>	Automatic gearbox diagnostic socket	B4c

Electronic air suspension - "4x2" tractors



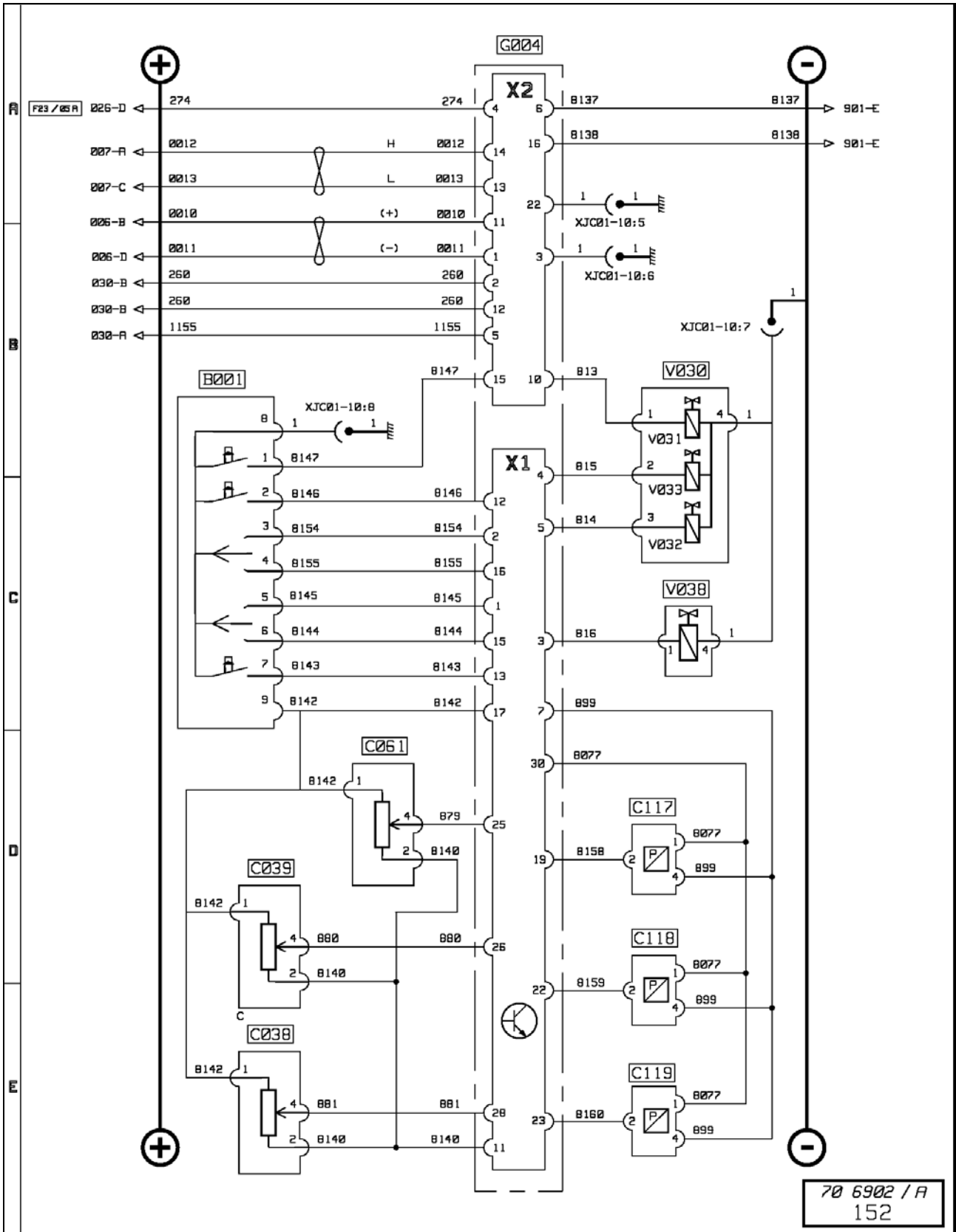
## Electronic air suspension - "4x2" tractors

### Key to appliances

Code	Function name	Location
<b>B001</b>	Air suspension remote control	C3c
<b>B002</b>	Air suspension 'up' position remote control	C2c
<b>B003</b>	Air suspension 'down' position remote control	C2c
<b>B004</b>	Air suspension memorized position remote control	C2c
<b>C038</b>	Drive axle suspension RH position sensor	A7d
<b>C039</b>	Drive axle suspension LH position sensor	C7d
<b>C118</b>	Drive axle suspension LH pressure sensor	C7d
<b>C119</b>	Drive axle suspension RH pressure sensor	A7d
<b>G004</b>	Air suspension ECU	A2b
<b>V009</b>	60-tonne vehicle safety solenoid valve	B7d
<b>V030</b>	Drive axle suspension control solenoid valve unit	B7d
<b>V031</b>	Drive axle rear suspension main electrovalve	B7d
<b>V032</b>	Drive axle rear suspension (RH side) electrovalve	B7d
<b>V033</b>	Drive axle rear suspension (LH side) electrovalve	B7d

- 1: With remote control
- 2: Without remote control
- 3: With 1 sensors
- 4: With 2 sensors

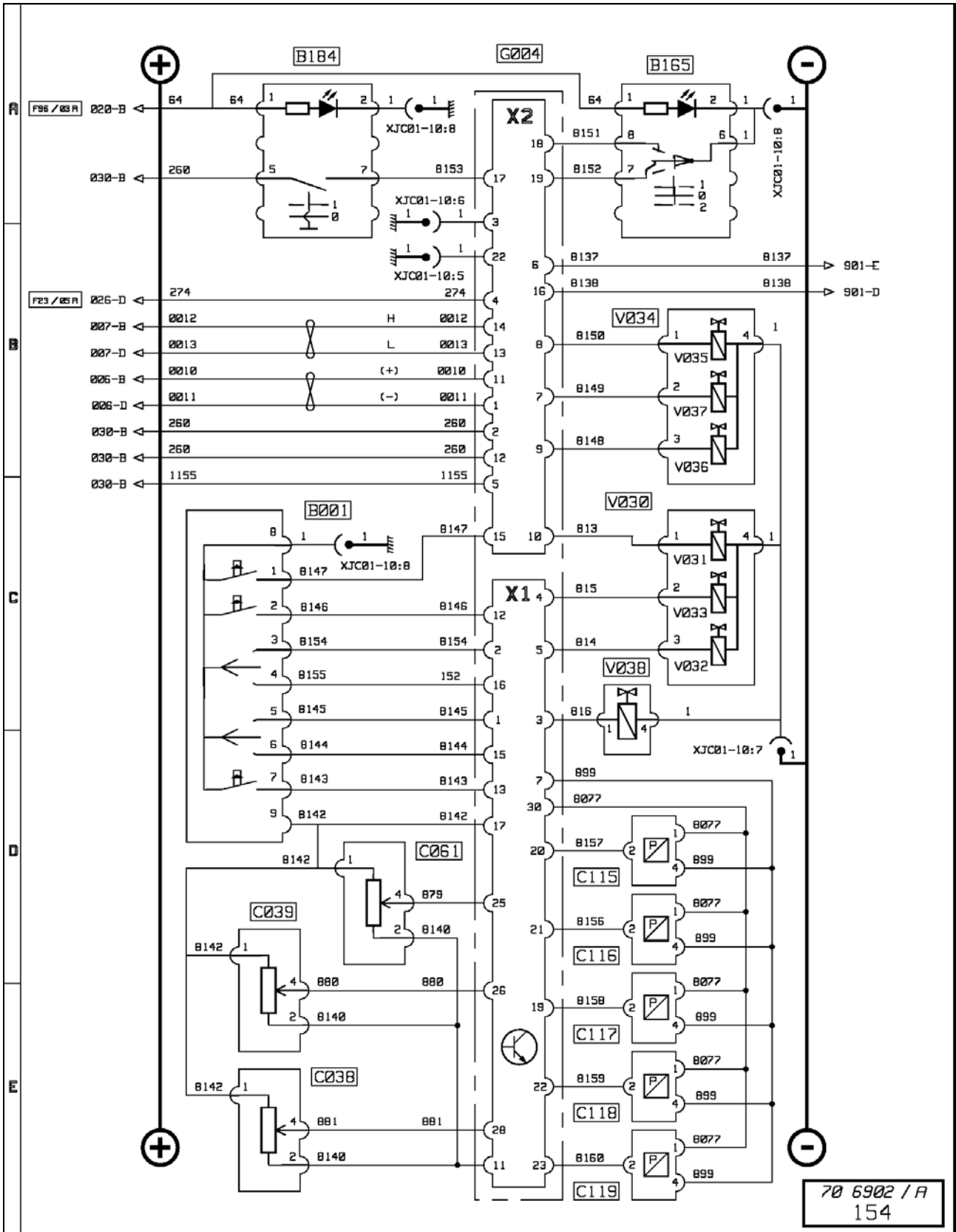
Electronic air suspension - Except "4x2" tractors



**Electronic air suspension - Except "4x2" tractors****Key to appliances**

<b>Code</b>	<b>Function name</b>	<b>Location</b>
<b>B001</b>	Air suspension remote control	C3c
<b>C038</b>	Drive axle suspension RH position sensor	A7d
<b>C039</b>	Drive axle suspension LH position sensor	C7d
<b>C061</b>	Front axle suspension position sensor	C3d
<b>C117</b>	Front air spring pressure sensor	C3d
<b>C118</b>	Drive axle suspension LH pressure sensor	C7d
<b>C119</b>	Drive axle suspension RH pressure sensor	A7d
<b>G004</b>	Air suspension ECU	A2b
<b>V030</b>	Drive axle suspension control solenoid valve unit	B7d
<b>V031</b>	Drive axle rear suspension main electrovalve	B7d
<b>V032</b>	Drive axle rear suspension (RH side) electrovalve	B7d
<b>V033</b>	Drive axle rear suspension (LH side) electrovalve	B7d
<b>V038</b>	Front suspension electrovalve	C3d

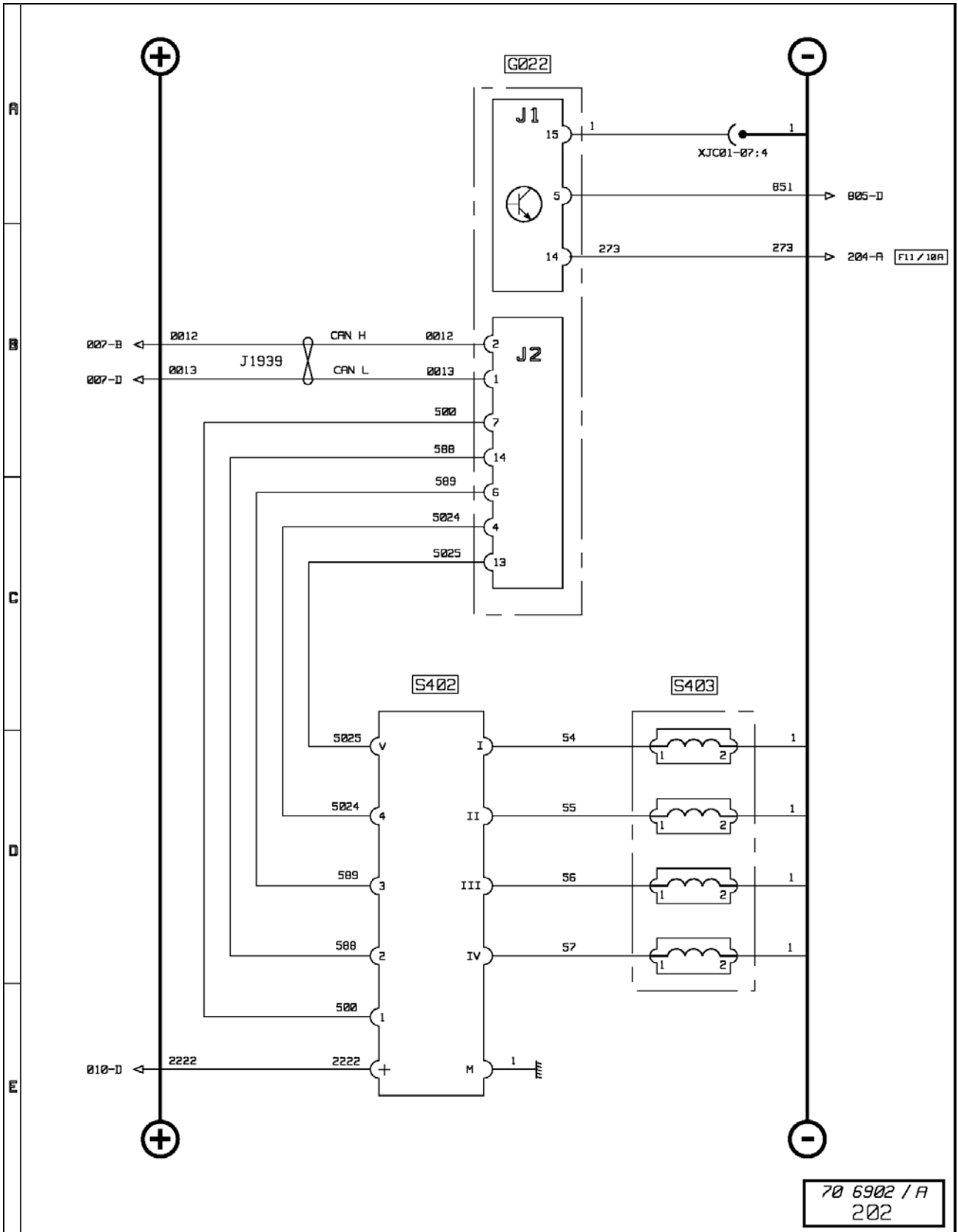
Electronic air suspension "6x2"



**Electronic air suspension "6x2"****Key to appliances**

<b>Code</b>	<b>Function name</b>	<b>Location</b>
<b>B001</b>	Air suspension remote control	C3c
<b>B165</b>	Second rear axle lift-up control	B2b
<b>B184</b>	Axle load-shedding activation control	B2b
<b>C038</b>	Drive axle suspension RH position sensor	A7d
<b>C039</b>	Drive axle suspension LH position sensor	C7d
<b>C061</b>	Front axle suspension position sensor	A3d
<b>C115</b>	Lift-up air spring pressure sensor	A8d
<b>C116</b>	Middle axle suspension air pressure sensor	A8d
<b>C117</b>	Front air spring pressure sensor	C3d
<b>C118</b>	Drive axle suspension LH pressure sensor	C7d
<b>C119</b>	Drive axle suspension RH pressure sensor	A7d
<b>G004</b>	Air suspension ECU	A2b
<b>V030</b>	Drive axle suspension control solenoid valve unit	B7d
<b>V031</b>	Drive axle rear suspension main electrovalve	B7d
<b>V032</b>	Drive axle rear suspension (RH side) electrovalve	B7d
<b>V033</b>	Drive axle rear suspension (LH side) electrovalve	B7d
<b>V034</b>	Rear axle suspension control solenoid valve unit	B7d
<b>V035</b>	Rear axle suspension main electrovalve	B7d
<b>V036</b>	Rear axle suspension electrovalve	B7d
<b>V037</b>	Lift-up air spring control electrovalve	B7d
<b>V038</b>	Front suspension electrovalve	C3d

Electric retarder

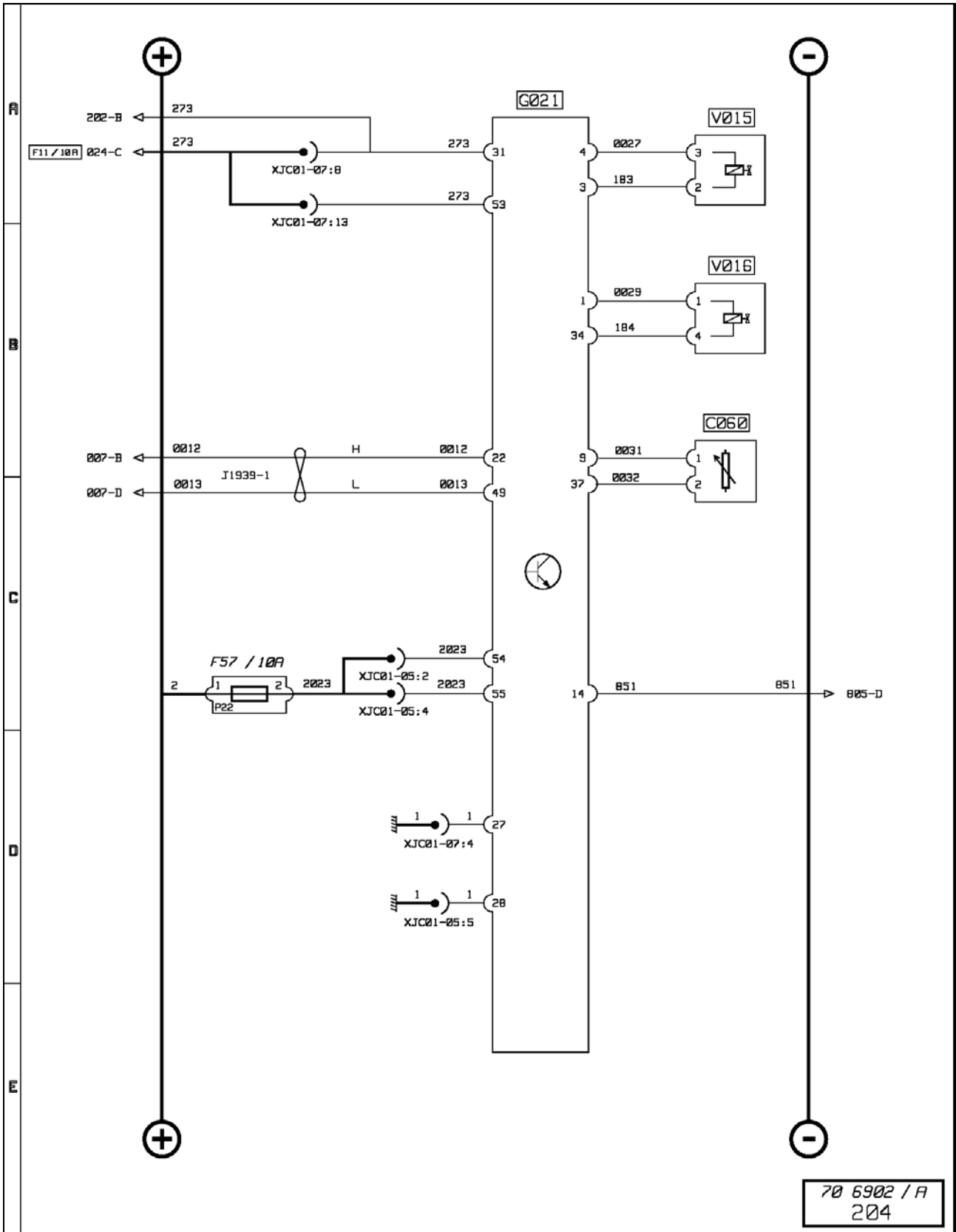




**Electric retarder****Key to appliances**

<b>Code</b>	<b>Function name</b>	<b>Location</b>
<b>G022</b>	Electric retarder ECU	A2b
<b>S402</b>	Electric retarder relay box	B6d
<b>S403</b>	Electric retarder	B6d

Hydraulic retarder

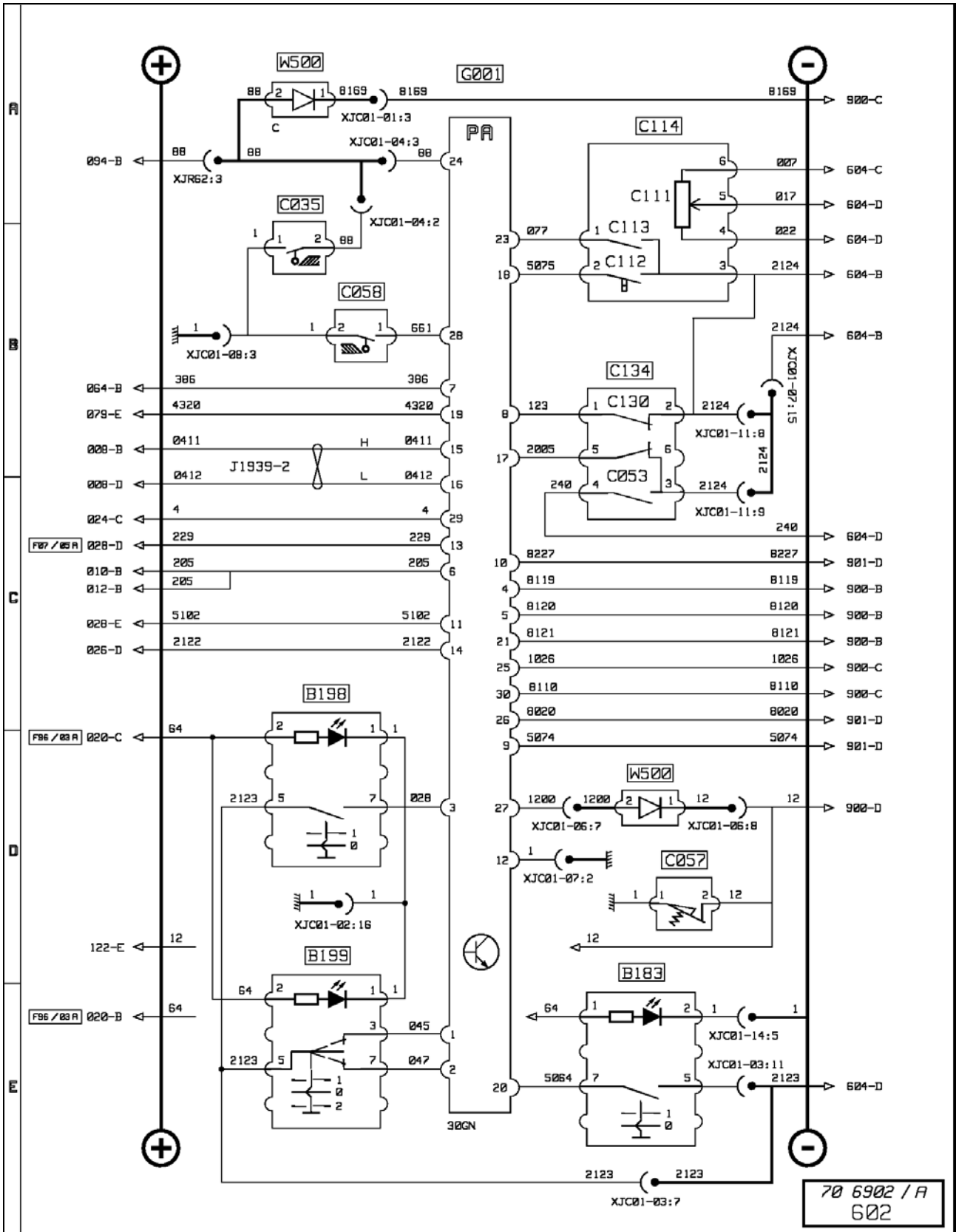


## Hydraulic retarder

### Key to appliances

Code	Function name	Location
<b>C060</b>	Retarder coolant temperature sensor	B4c
<b>G021</b>	Hydraulic retarder ECU	B4c
<b>V015</b>	Retarder proportional electrovalve	B4c
<b>V016</b>	Retarder accumulation electrovalve	B4c

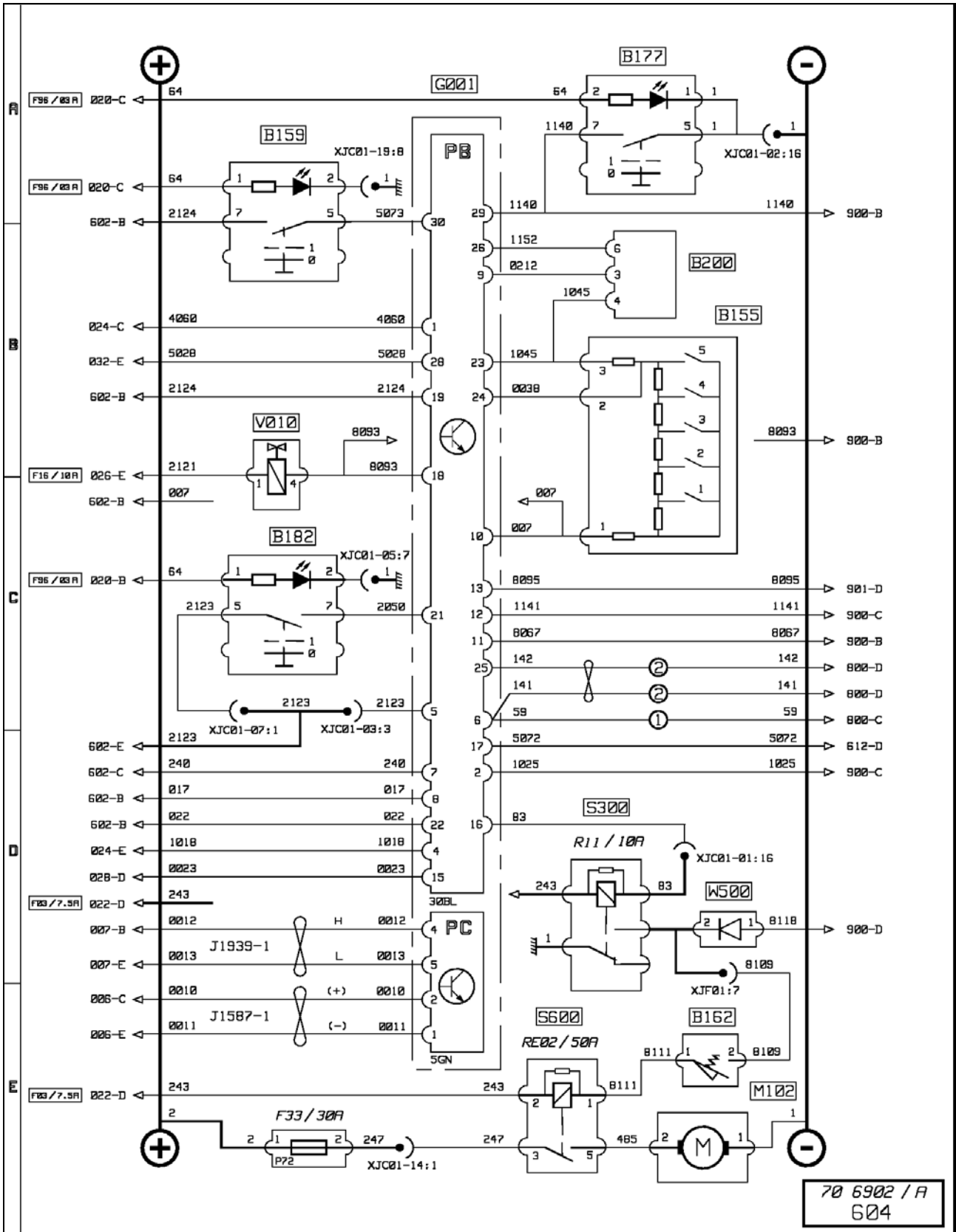
Vehicle electronic management (1/2)



**Vehicle electronic management (1/2)****Key to appliances**

<b>Code</b>	<b>Function name</b>	<b>Location</b>
<b>B183</b>	Fuel water bleed control	C2b
<b>B198</b>	Fast idling actuation control	C2c
<b>B199</b>	Fast idling adjustment control	C2c
<b>C035</b>	PTO N° 1 engaged position information sensor	B4c
<b>C053</b>	Stop lights switch	C1c
<b>C057</b>	Neutral position sensor	B4c
<b>C058</b>	Reverse gear engaged position sensor	B4c
<b>C111</b>	Accelerator pedal position sensor	C1c
<b>C112</b>	Accelerator pedal "rest" position sensor N° 2	C1c
<b>C113</b>	Accelerator pedal rest position sensor	C1c
<b>C114</b>	Accelerator pedal sensor unit	C1c
<b>C130</b>	Clutch pedal position sensor	C1c
<b>C134</b>	Brake pedal sensor unit	C1b
<b>G001</b>	Vehicle management ECU	A2b
<b>W500</b>	Diode(s)	A2b

Vehicle electronic management (2/2)



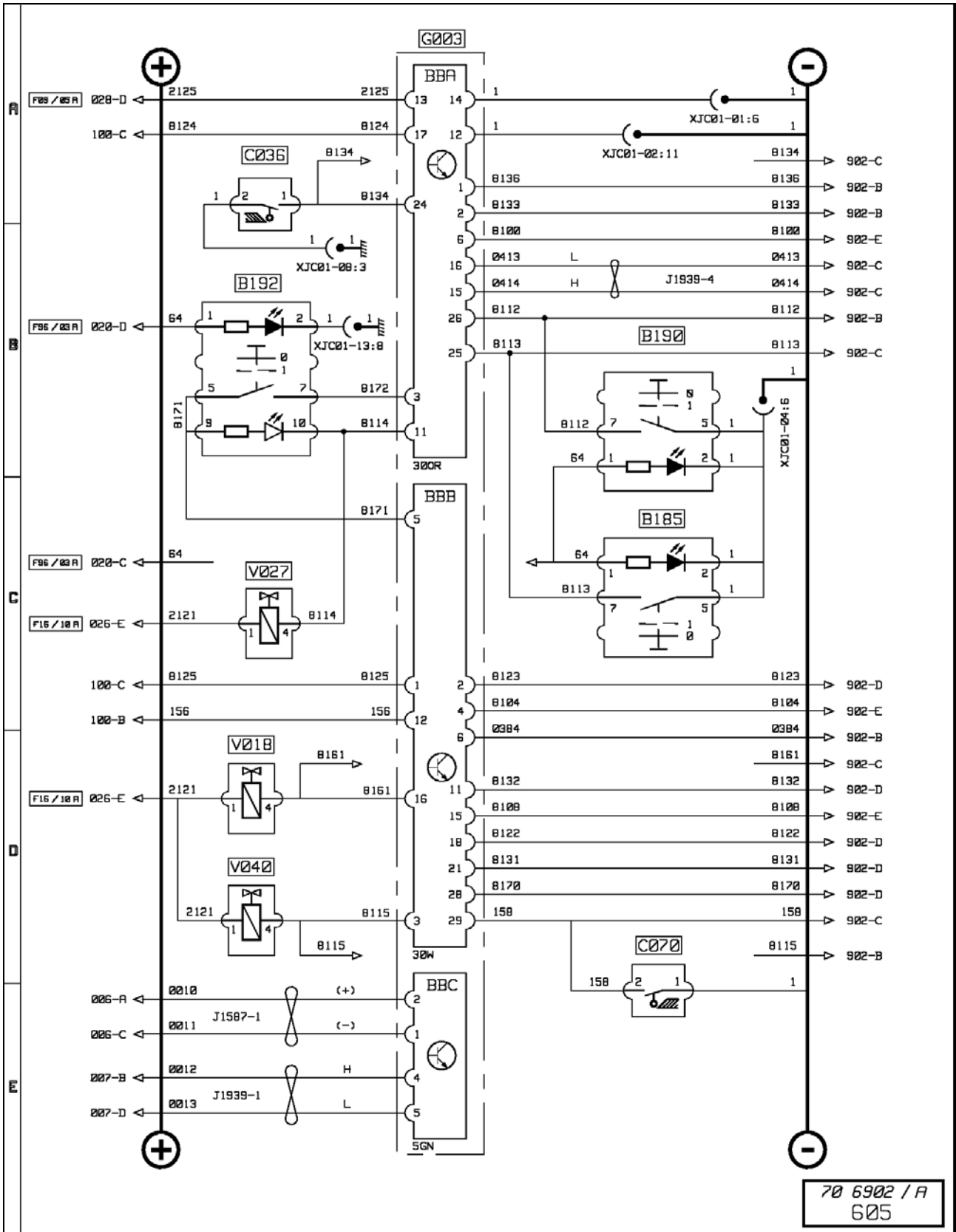
**Vehicle electronic management (2/2)****Key to appliances**

<b>Code</b>	<b>Function name</b>	<b>Location</b>
<b>B155</b>	Electric or hydraulic retarder control	C2c
<b>B159</b>	Engine speed set-point control for difficult terrain	B2b
<b>B162</b>	Cab tilting control	A4c
<b>B177</b>	PTO N° 1 engagement request control (in cab)	B2b
<b>B182</b>	Auto/manual selection control	B2b
<b>B200</b>	Cruise control / engine speed adjustment controls	B2b
<b>G001</b>	Vehicle management ECU	A2b
<b>M102</b>	Cab tilting motor	A4d
<b>S300</b>	Cab tilting safety and authorization relay	A2c
<b>S600</b>	Cab tilting motor power supply relay	A2c
<b>V010</b>	PTO engagement electrovalve N° 1	B4d
<b>W500</b>	Diode(s)	B2b

1: "CEE" vehicles

2: on outside "EEC" vehicles

Bodybuilder pre-arrangement management



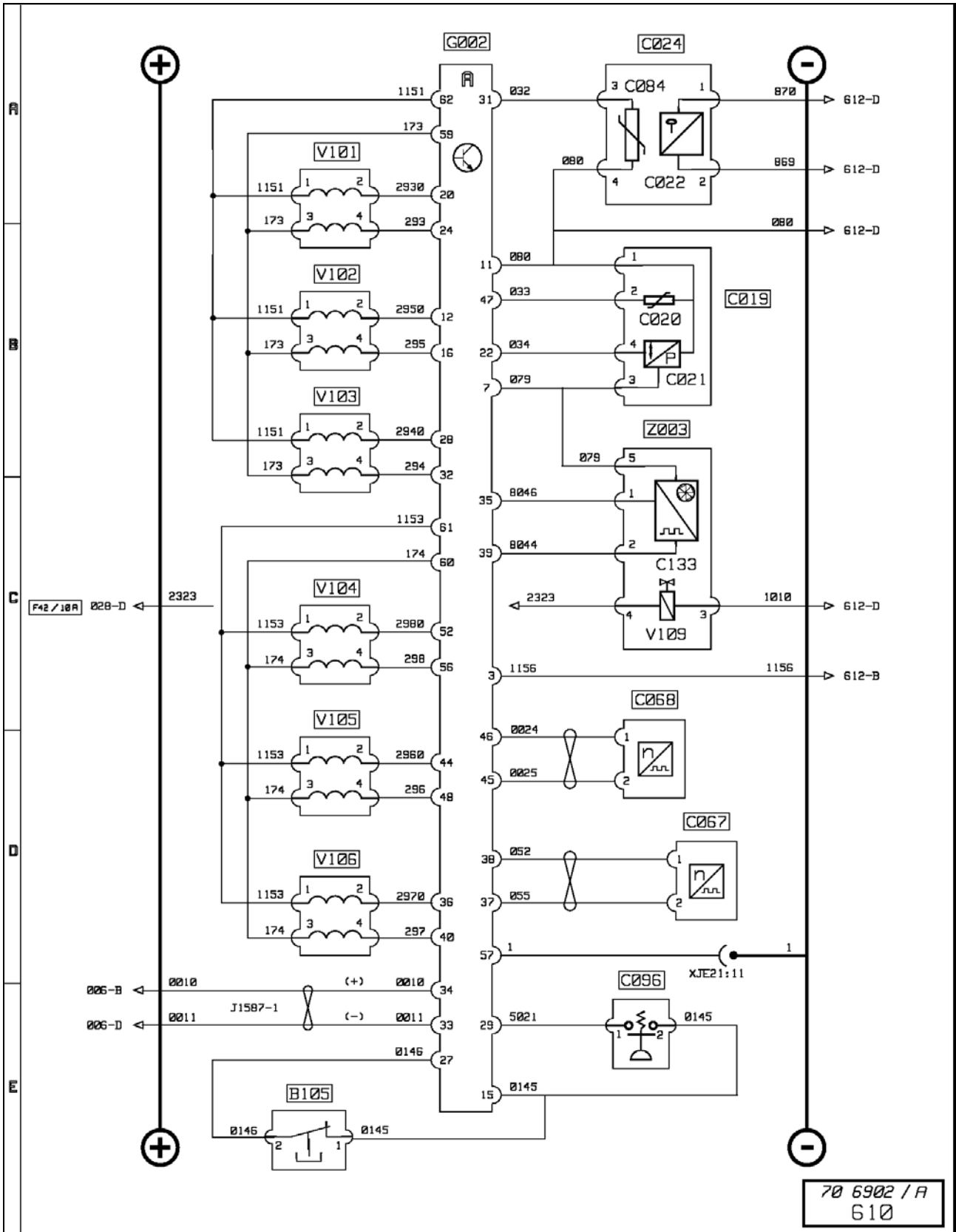


## Bodybuilder pre-arrangement management

### Key to appliances

Code	Function name	Location
<b>B185</b>	PTO N° 2 engagement request control (in cab)	B2b
<b>B190</b>	PTO N° 2 engagement request control (en cab)	B2b
<b>B192</b>	Transfer box neutral engagement control	B2b
<b>C036</b>	PTO N° 2 engaged position information sensor	B4d
<b>C070</b>	PTO N° 3 engaged position information sensor	B4d
<b>V018</b>	PTO engagement electrovalve N° 2	B4d
<b>V027</b>	Transfer box neutral engagement control	B4d
<b>V040</b>	PTO N° 3 engagement electrovalve	B4d
<b>G003</b>	Bodybuilder pre-arrangement management ECU	A2b

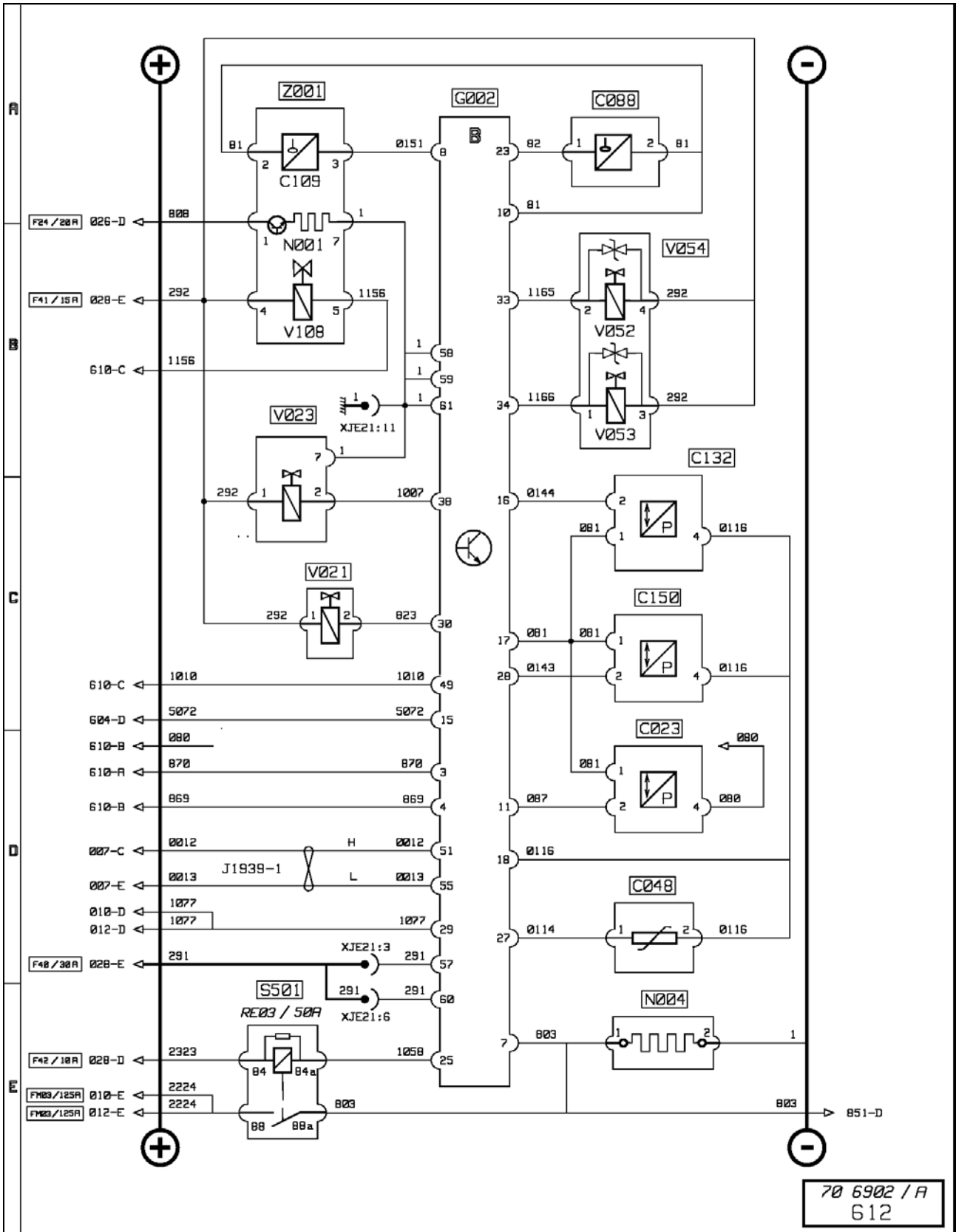
Engine electronic management (1/2)



**Engine electronic management (1/2)****Key to appliances**

<b>Code</b>	<b>Function name</b>	<b>Location</b>
<b>B105</b>	Engine stop control	B3b
<b>C019</b>	Turbocharging air pressure and temperature sensor	B3b
<b>C020</b>	Turbocharging air temperature sensor	B3b
<b>C021</b>	Turbocharging air pressure sensor	B3b
<b>C022</b>	Engine oil level sensor	B3b
<b>C024</b>	Engine oil level and pressure sensor unit	B3b
<b>C067</b>	Flywheel speed sensor	B3b
<b>C068</b>	Camshaft engine speed sensor	B3b
<b>C084</b>	Engine oil temperature sensor	B3b
<b>C096</b>	Range change selector pressure sensor	B3b
<b>C133</b>	Engine cooling fan speed sensor	B3b
<b>G002</b>	Engine management ECU	B3b
<b>V101</b>	Cylinder injector solenoid valve N° 1	B3b
<b>V102</b>	Cylinder injector solenoid valve N° 2	B3b
<b>V103</b>	Cylinder injector solenoid valve N° 3	B3b
<b>V104</b>	Cylinder injector solenoid valve N° 4	B3b
<b>V105</b>	Cylinder injector solenoid valve N° 5	B3b
<b>V106</b>	Cylinder injector solenoid valve N° 6	B3b
<b>V109</b>	Engine cooling fan speed regulation solenoid valve	B3b
<b>Z003</b>	Fan speed regulator unit	B3b

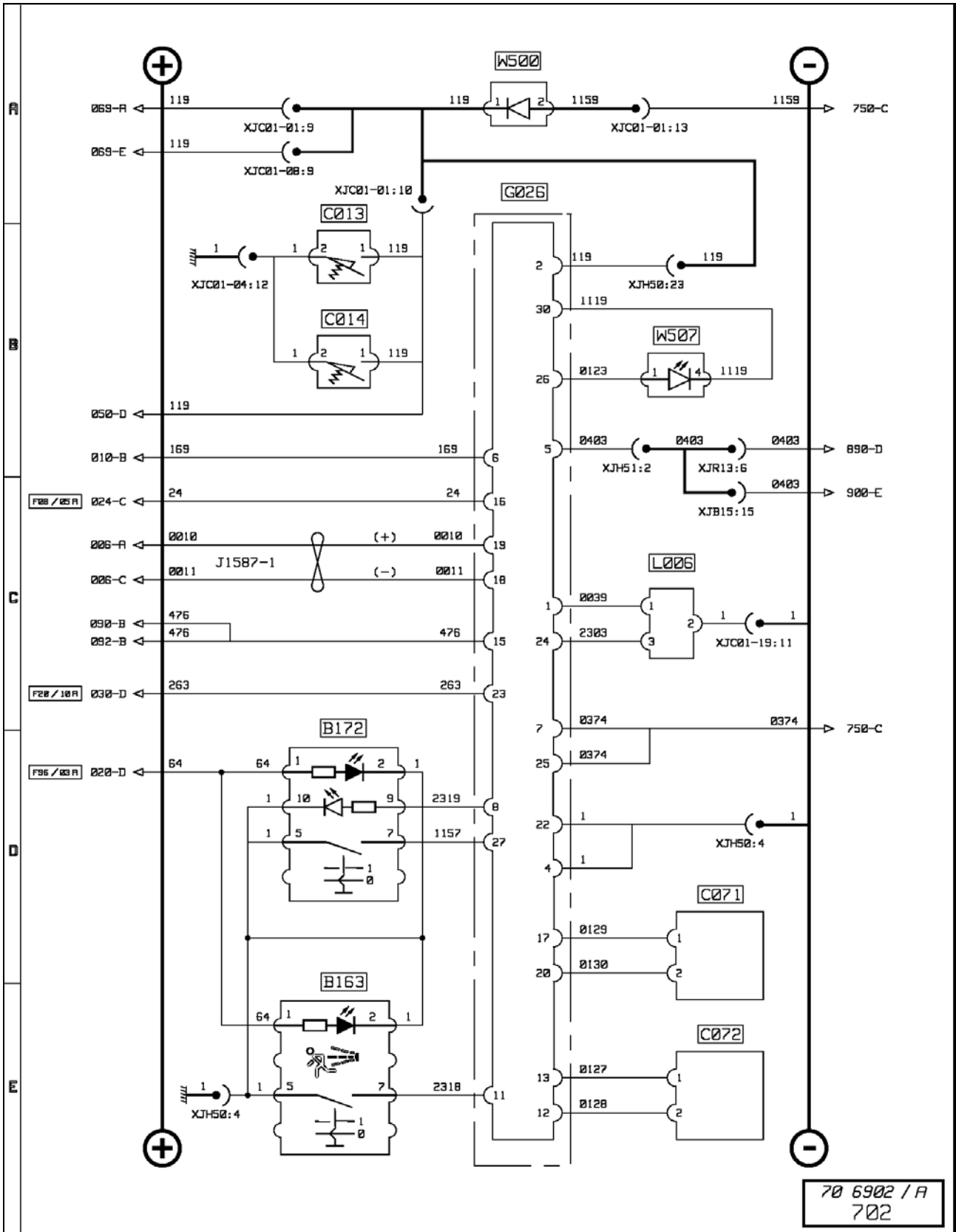
Engine electronic management (2/2)



**Engine electronic management (2/2)****Key to appliances**

<b>Code</b>	<b>Function name</b>	<b>Location</b>
<b>C023</b>	Engine oil pressure sensor	B3b
<b>C048</b>	Engine cooling circuit temperature sensor	B3b
<b>C088</b>	Engine coolant level sensor	B3b
<b>C109</b>	Water in fuel sensor	B3b
<b>C132</b>	Engine boost pressure sensor	B3b
<b>C150</b>	Engine block inside pressure sensor	B3b
<b>G002</b>	Engine management ECU	B3b
<b>N001</b>	Fuel heater resistor N° 2	B3b
<b>N004</b>	Air preheating resistor	B3b
<b>S501</b>	Air preheating relay	C4d
<b>V021</b>	Engine brake N° 1 solenoid valve	B3b
<b>V023</b>	VTC engine brake electrovalve	B3b
<b>V052</b>	Range change electrovalve	B3b
<b>V053</b>	Splitter control electrovalve	B3b
<b>V054</b>	Splitter and range change control unit	B3b
<b>V108</b>	Air dryer bleeding solenoid valve	B3b
<b>Z001</b>	Fuel heating unit	B3b

Alarm

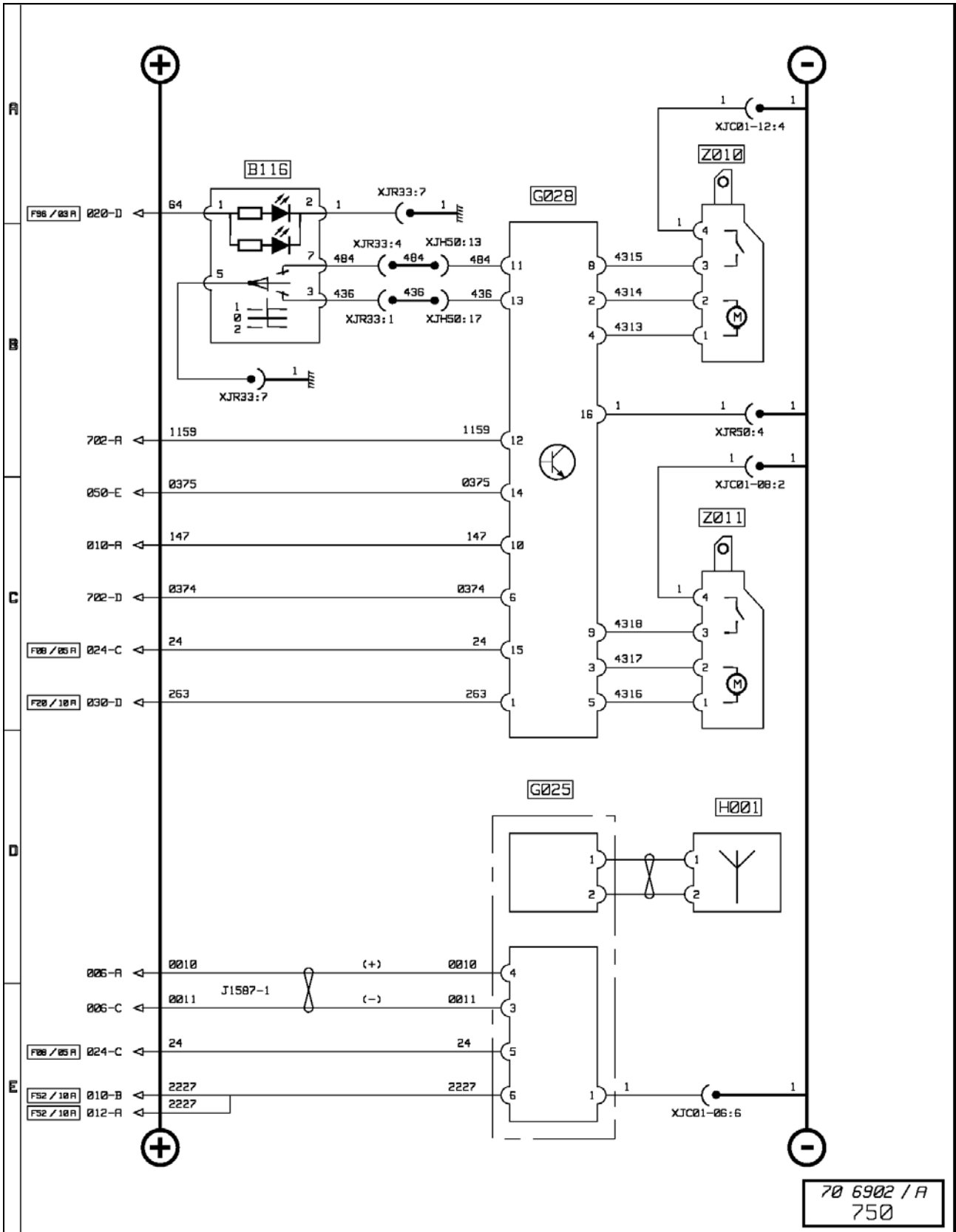


## Alarm

### Key to appliances

Code	Function name	Location
<b>B163</b>	Alarm anti-panic control	C2a
<b>B172</b>	Alarm siren sound level reduction control	C2a
<b>C013</b>	Driver's door open position information sensor	C2c
<b>C014</b>	Passenger's front door open position information sensor	A2c
<b>C071</b>	Alarm ultra-sonic transmitter sensor	C2c
<b>C072</b>	Alarm ultra-sonic receiver sensor	A2c
<b>G026</b>	Alarm ECU	C2a
<b>L006</b>	Alarm siren	C2d
<b>W500</b>	Diode(s)	B2c
<b>W507</b>	Vehicle alarm sounding diode	B2a

Doors / Engine immobilizer controls

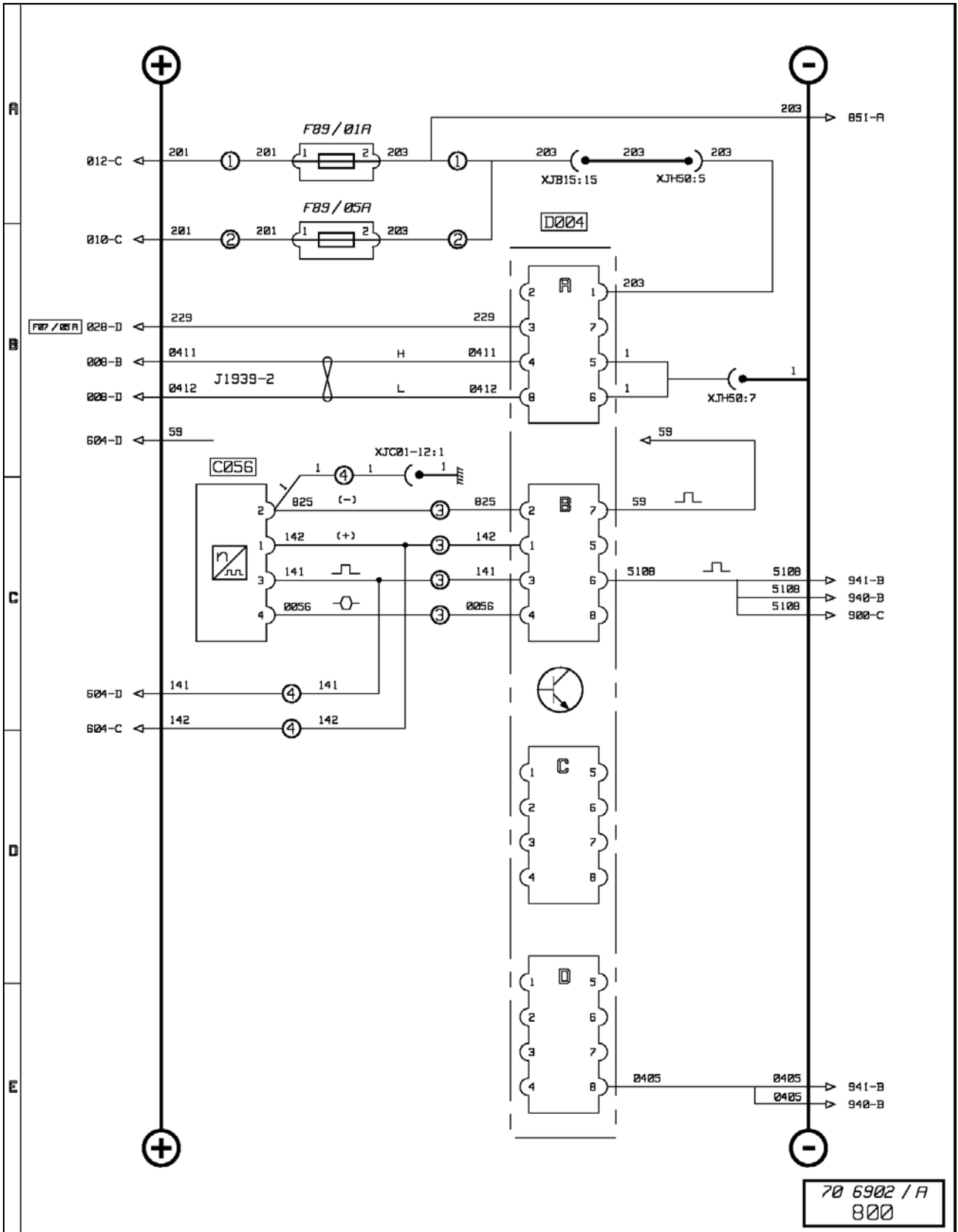




**Doors / Engine immobilizer controls****Key to appliances**

<b>Code</b>	<b>Function name</b>	<b>Location</b>
<b>B116</b>	Doors locking control	B3b
<b>G025</b>	Engine immobilizer ECU	C2c
<b>G028</b>	Doors central locking ECU	C2c
<b>H001</b>	Engine immobilizer antenna	C2c
<b>Z010</b>	Front passenger's door locking striker unit	A3c
<b>Z011</b>	Driver's door locking striker unit	C3c

# Tachograph



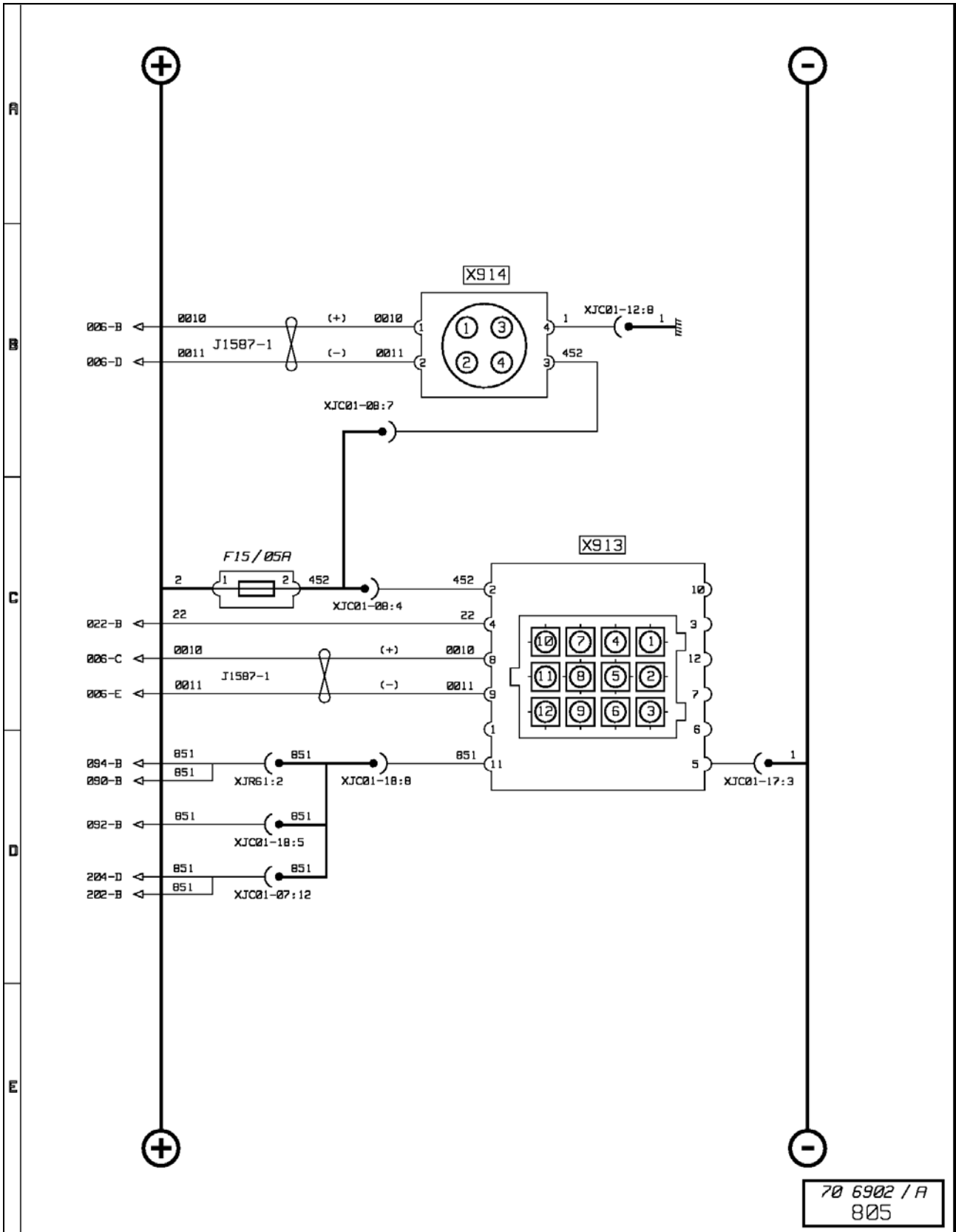
## Tachograph

### Key to appliances

Code	Function name	Location
<b>C056</b>	Tachograph speed sensor	B3c
<b>D004</b>	Tachograph	C2a

- 1: with "ADR" equipment
- 2: without "ADR" equipment
- 3: "CEE" vehicles
- 4: on outside "EEC" vehicles

### Diagnostic socket

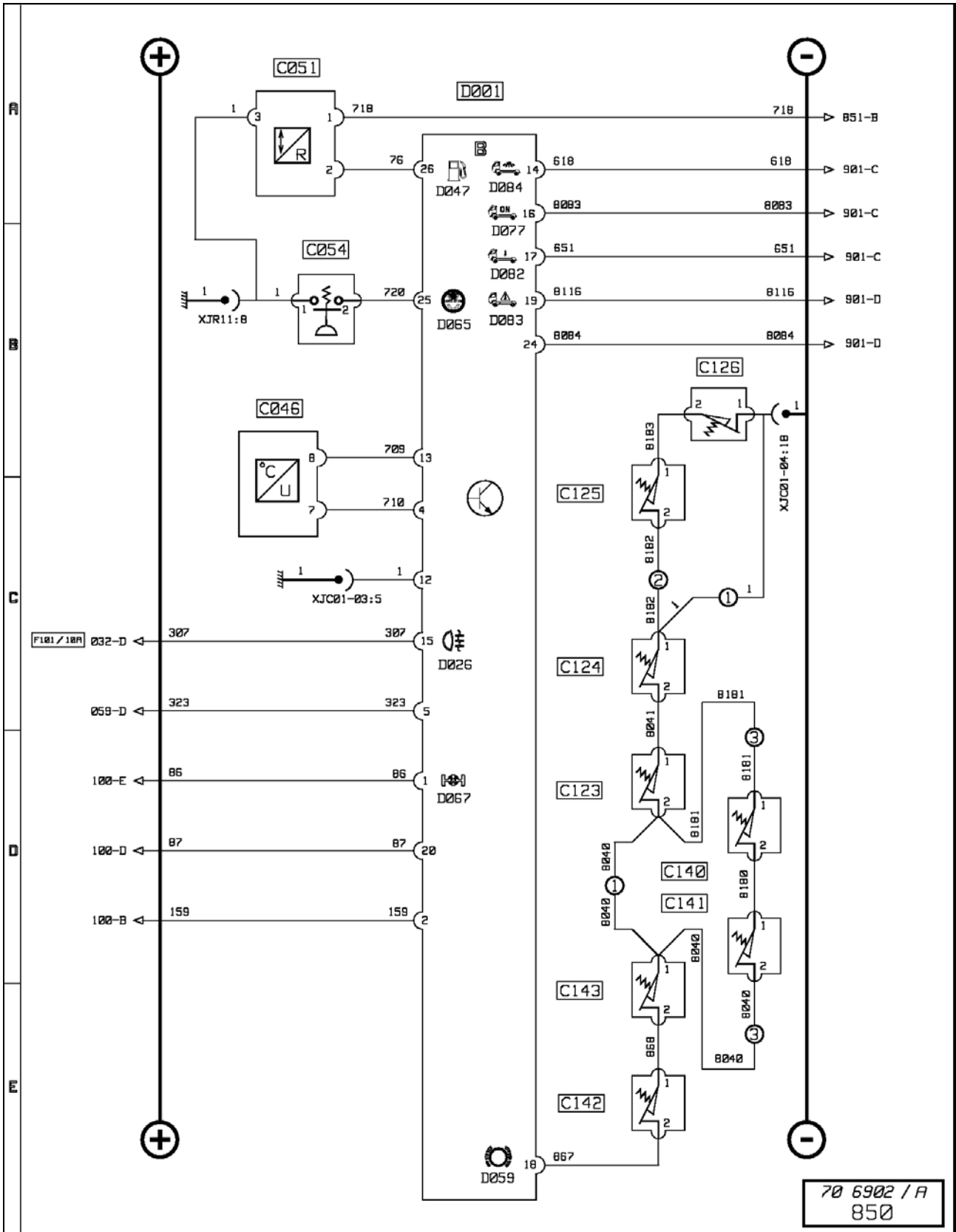


70 6902 / A  
805

**Diagnostic socket**

<b>Code</b>	<b>Function name</b>	<b>Location</b>
<b>X913</b>	Vehicle diagnostic socket	C2c
<b>X914</b>	Vehicle data extraction socket	C2c

Main information display (1/2)



## Main information display (1/2)

### Key to appliances

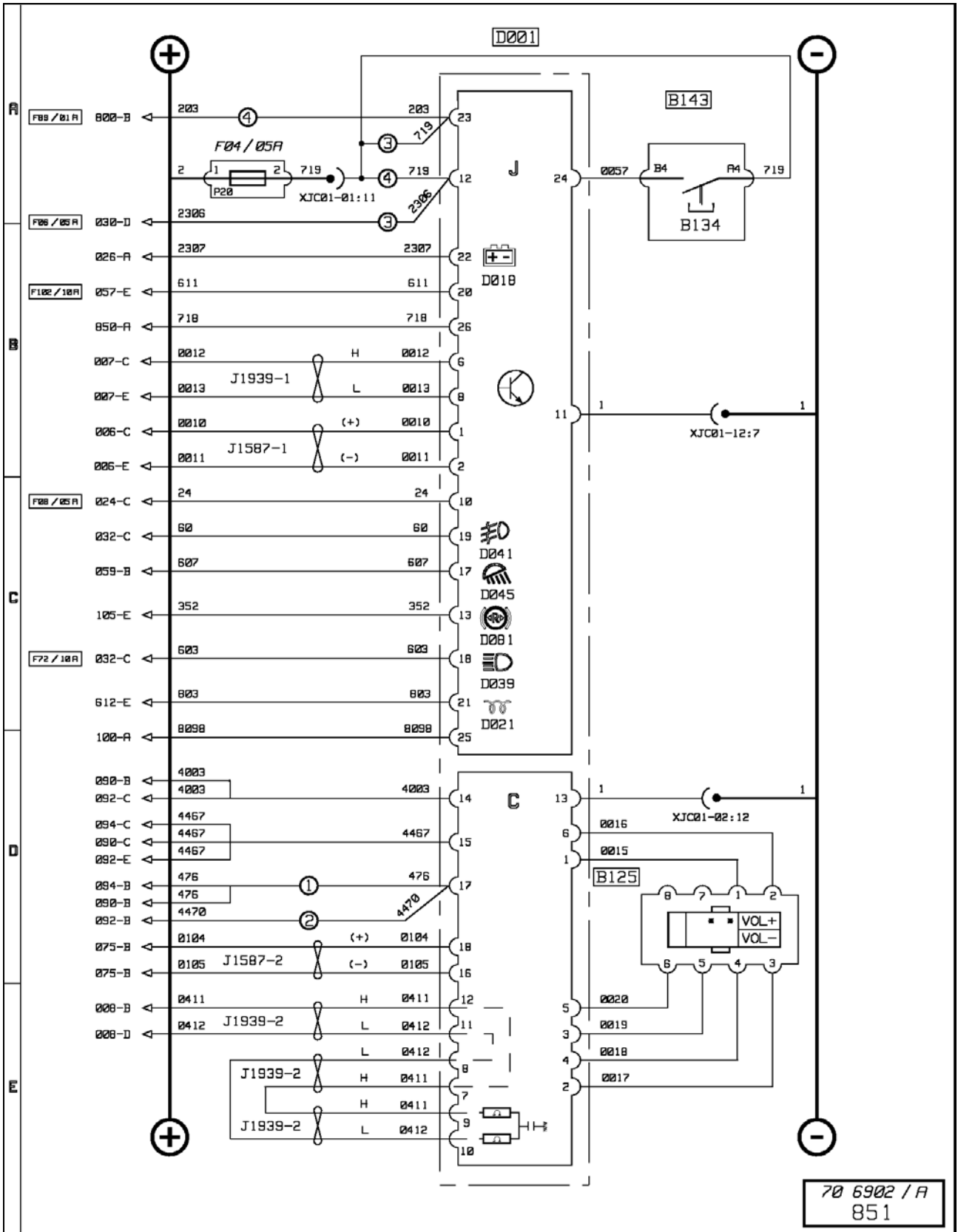
Code	Function name	Location
<b>C046</b>	External temperature sensor	A2a
<b>C051</b>	Fuel level sensor	A5d
<b>C054</b>	Air filter clogging sensor	B4b
<b>C123</b>	LH rear wheel brake linings wear sensor (drive axle N° 1)	C7d
<b>C124</b>	RH rear wheel brake linings wear sensor (drive axle N° 1)	A7d
<b>C125</b>	LH rear wheel brake linings wear sensor (drive axle N° 2)	C8d
<b>C126</b>	RH rear wheel brake linings wear sensor (drive axle N° 2)	A8d
<b>C140</b>	LH front wheel brake linings wear sensor (drive axle or axle N° 2)	C4d
<b>C141</b>	RH front wheel brake linings wear sensor (drive axle or axle N° 2)	A4d
<b>C142</b>	LH front wheel brake linings wear sensor (drive axle or axle N° 1)	C3d
<b>C143</b>	RH front wheel brake linings wear sensor (drive axle or axle N° 1)	A3d
<b>D001</b>	Principal information display	C2b
<b>D026</b>	Fog lights warning light	C2b
<b>D047</b>	Fuel level warning light	C2b
<b>D059</b>	Brake pads wear warning light	C2b
<b>D065</b>	Air filter clogging warning light	C2b
<b>D067</b>	Inter-wheel diff. lock warning light	C2b
<b>D077</b>	Equipment in unlocked position warning light	C2b
<b>D082</b>	Equipment in service information tell-tale light	C2b
<b>D083</b>	Equipment in dangerous position information tell-tale light	C2b
<b>D084</b>	Equipment lighting information tell-tale light	C2b

1: With 4 discs

2: With 6/8 discs

3: With 8 discs

Main information display (2/2)





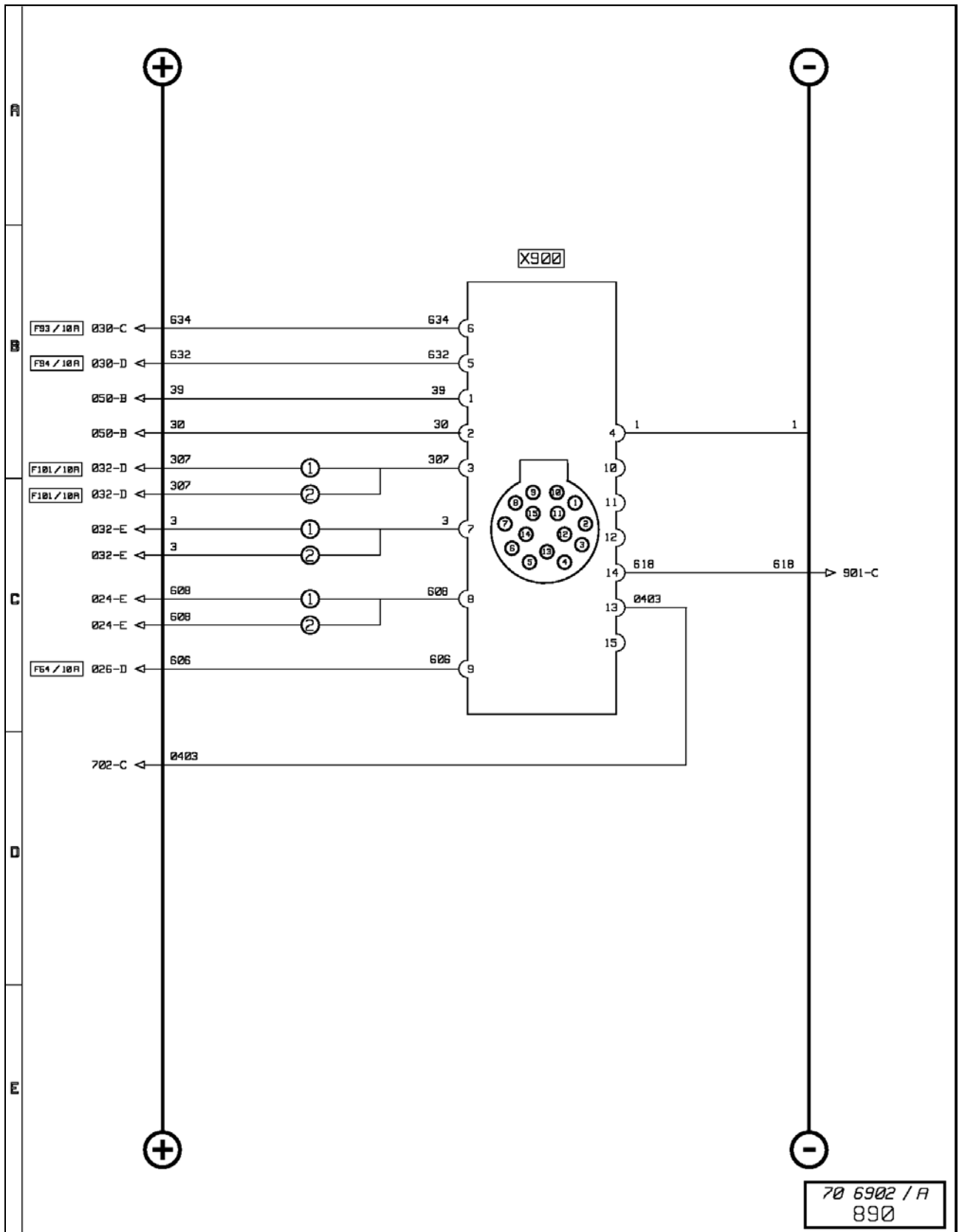
## Main information display (2/2)

### Key to appliances

Code	Function name	Location
<b>B125</b>	Radio set control	C2c
<b>B134</b>	Pull-down display menu control	C2c
<b>B143</b>	Steering wheel fingertip controls N° 1	C2c
<b>D001</b>	Principal information display	C2b
<b>D018</b>	Battery charge warning light	C2b
<b>D021</b>	Fuel preheating warning light	C2b
<b>D039</b>	Main beam headlights warning light	C2b
<b>D041</b>	Fog driving lights warning light	C2b
<b>D045</b>	Extra signalling lights warning light	C2b
<b>D081</b>	Trailer brake pads wear warning light	C2b

- 1: with independent heating **"AT2000 ST"**
- 2: with independent heating **"Thermo 90S"**
- 3: with "ADR" equipment
- 4: without "ADR" equipment

### Trailer sockets



## Trailer sockets

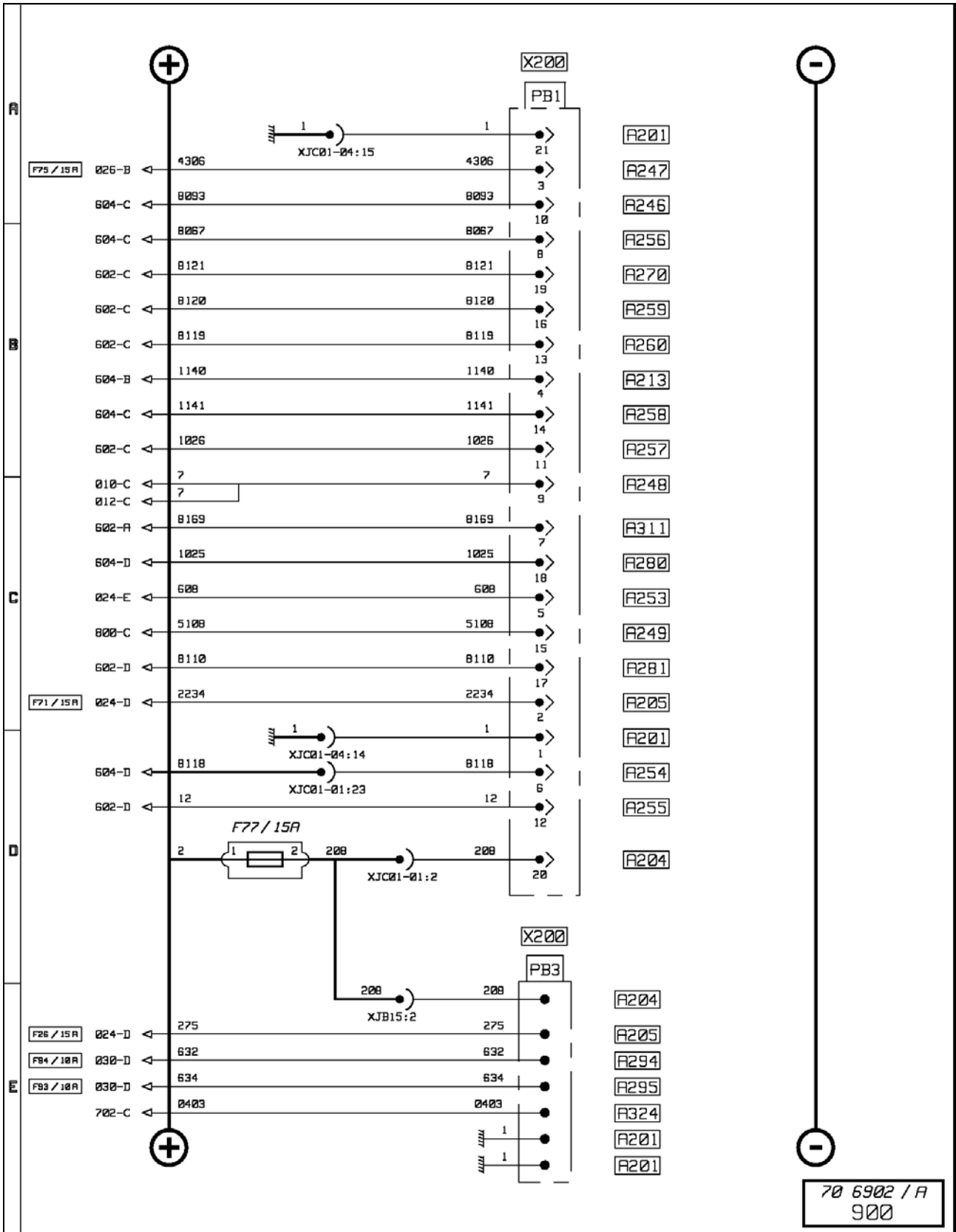
### Key to appliances

Code	Function name	Location
X900	15-pin trailer socket	B4b

1: Tractor vehicle

2: Rigid vehicle

Available power supplies (1/3)

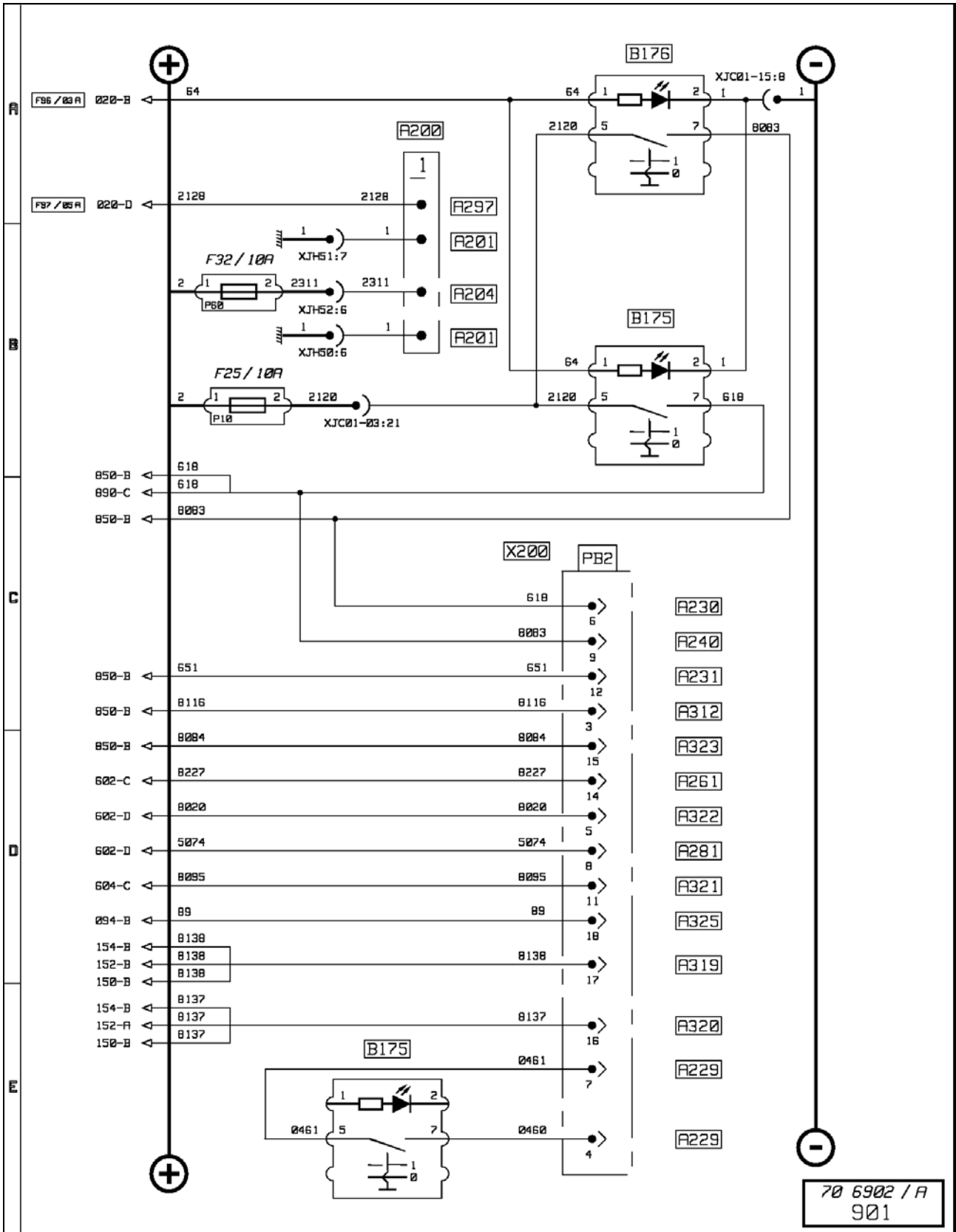


## Available power supplies (1/3)

### Key to appliances

Code	Function name	Location
<b>A201</b>	Available power supply (vehicle earth)	A2c/C4d
<b>A204</b>	Available power supply (after master switch)	A2c/C4d
<b>A205</b>	Available power supply (after ignition)	A2c/C4d
<b>A213</b>	Available power supply (PTO 1)	A2c
<b>A246</b>	Available power supply (PTO 1 control)	A2c
<b>A247</b>	Available power supply at alternator (engine running information)	A2c
<b>A248</b>	Available power supply at alternator (engine speed information)	A2c
<b>A249</b>	Available power supply (corrected tachograph speed information)	A2c
<b>A253</b>	Available power supply (reverse gear information)	A2c
<b>A254</b>	Available power supply (parking brake information)	A2c
<b>A255</b>	Available power supply (gearbox neutral information)	A2c
<b>A256</b>	Available power supply (EGSP request for information)	A2c
<b>A257</b>	Available power supply (engine speed selection N° 1)	A2c
<b>A258</b>	Available power supply (engine speed selection N° 2)	A2c
<b>A259</b>	Available power supply (engine speed acceleration request)	A2c
<b>A260</b>	Available power supply (engine speed deceleration request)	A2c
<b>A270</b>	Available power supply (automatic return to main engine speed)	A2c
<b>A280</b>	Available power supply (low speed)	A2c
<b>A281</b>	Available power supply (engine stop control)	A2c
<b>A294</b>	Available power supply (LH rear marker lights)	C4d
<b>A295</b>	Available power supply (RH rear marker lights)	C4d
<b>A311</b>	Available power supply (PTO N° 1 engaged information)	A2c
<b>A324</b>	Available power supply (rigid perimetric protection module)	C4d
<b>X200</b>	Available power supplies connector	A2c/C4d

Available power supplies (2/3)

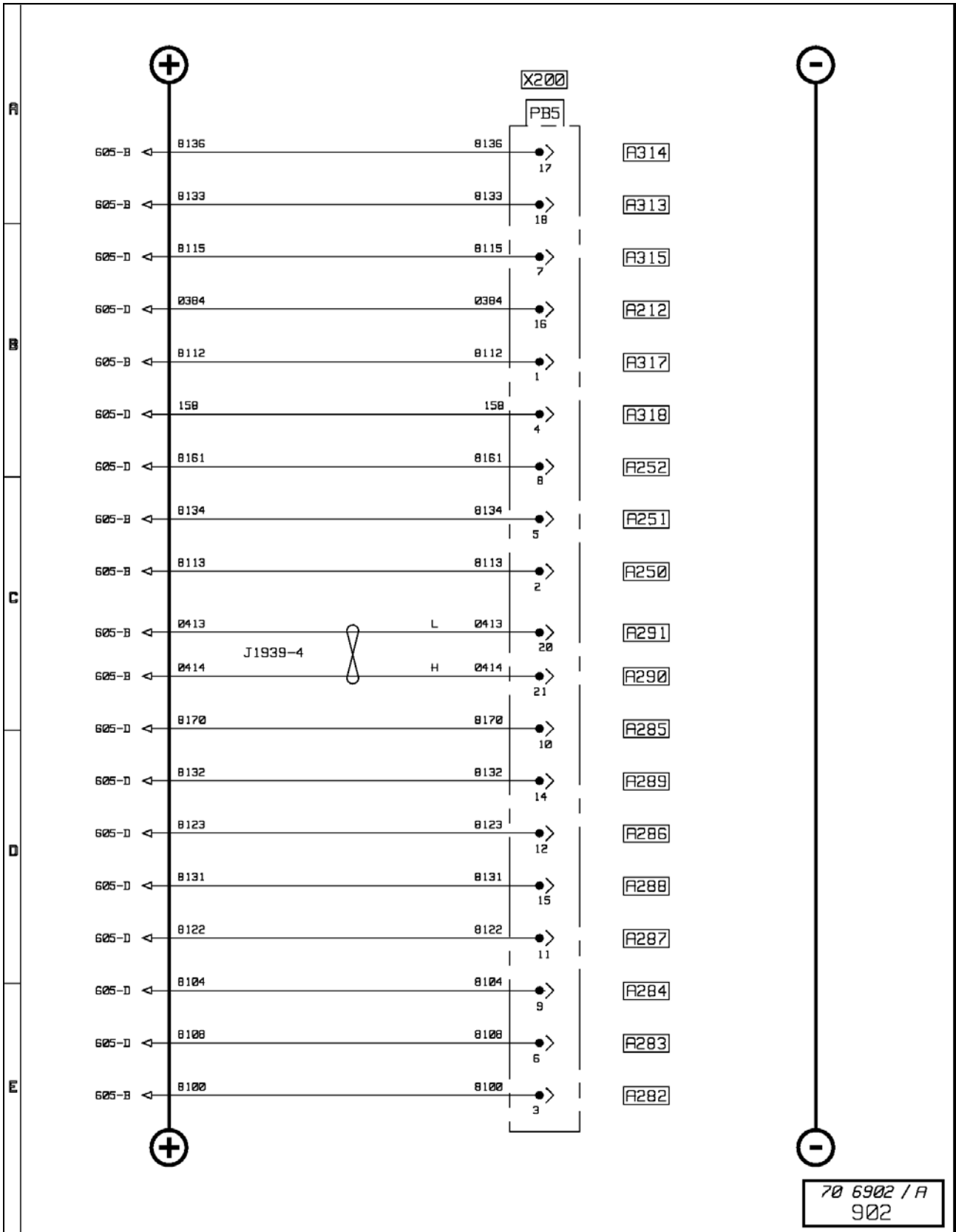


## Available power supplies (2/3)

### Key to appliances

Code	Function name	Location
<b>A200</b>	Available power supply (insulated cut wires)	C2a
<b>A201</b>	Available power supply (vehicle earth)	C2a
<b>A204</b>	Available power supply (after master switch)	C2a
<b>A229</b>	Available power supply (bodybuilder equipment control)	A2c
<b>A230</b>	Available power supply (equipment in road position warning light)	A2c
<b>A231</b>	Available power supply (equipment in working position warning light)	A2c
<b>A240</b>	Available power supply (lighting)	A2c
<b>A261</b>	Available power supply (reverse forbidding inhibition)	A2c
<b>A281</b>	Available power supply (engine stop control)	A2c
<b>A297</b>	Available power supply (night lighting)	C2a
<b>A312</b>	Available power supply (equipment in dangerous position)	A2c
<b>A319</b>	Available power supply (suspension level control)	A2c
<b>A320</b>	Available power supply (suspension level control actuation)	A2c
<b>A321</b>	Available power supply (6 km/h limitation)	A2c
<b>A322</b>	Available power supply (30 km/h limitation)	A2c
<b>A323</b>	Available power supply (alarm stopping)	A2c
<b>A325</b>	Available power supply (independent heating cut-off)	A2c
<b>B175</b>	Pre-arrangement for bodybuilder N° 1 control	C2b
<b>B176</b>	Pre-arrangement for bodybuilder N° 2 control	C2b
<b>X200</b>	Available power supplies connector	A2c/C2a

Available power supplies (3/3)



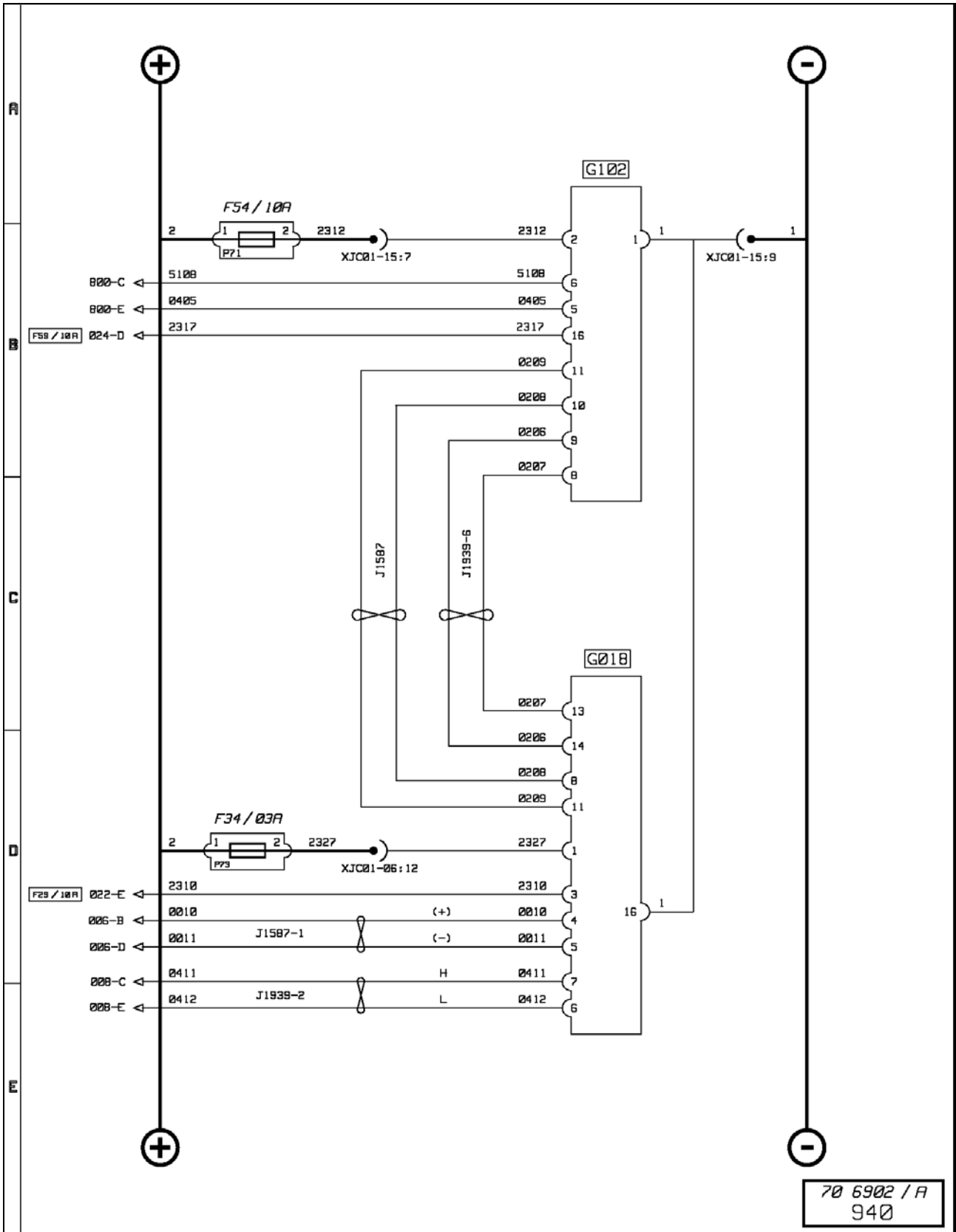


## Available power supplies (3/3)

### Key to appliances

Code	Function name	Location
<b>A212</b>	Available power supply (engine speed)	A2c
<b>A250</b>	Available power supply (PTO 2 control)	A2c
<b>A251</b>	Available power supply (PTO 2 warning light)	A2c
<b>A252</b>	Available power supply (PTO 2 solenoid valve piloting)	A2c
<b>A282</b>	Available power supply (engine start control)	A2c
<b>A283</b>	Available power supply (engine starting information)	A2c
<b>A284</b>	Available power supply (engine alert)	A2c
<b>A285</b>	Available power supply (parameter definable frequency-related output)	A2c
<b>A286</b>	Available power supply (PLC 2 min. output)	A2c
<b>A287</b>	Available power supply (PLC 1 min. output)	A2c
<b>A288</b>	Available power supply (PLC 1 min. input)	A2c
<b>A289</b>	Available power supply (PLC 2 min. input)	A2c
<b>A290</b>	Available power supply (high level CAN bus J1939)	A2c
<b>A291</b>	Available power supply (low level CAN bus J1939)	A2c
<b>A313</b>	Available power supply (CAN bus disabling)	A2c
<b>A314</b>	Available power supply (engine speed set-point validation)	A2c
<b>A315</b>	Available power supply (PTO 3 solenoid valve piloting)	A2c
<b>A317</b>	Available power supply (PTO 3 control)	A2c
<b>A318</b>	Available power supply (PTO 3 warning light)	A2c
<b>X200</b>	Available power supplies connector	A2c

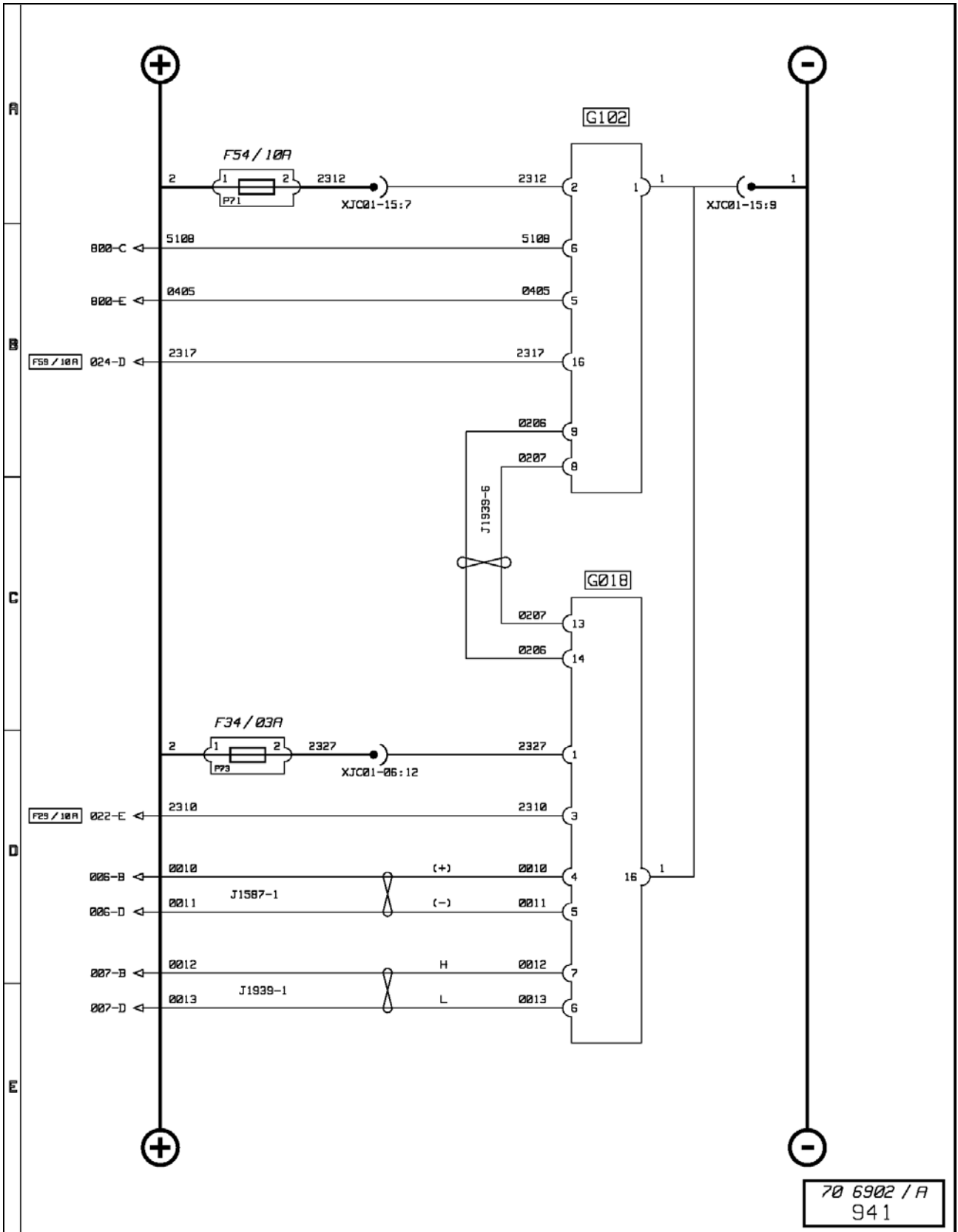
Onboard management "FMS + TMC"



**Onboard management "FMS + TMC"****Key to appliances**

<b>Code</b>	<b>Function name</b>	<b>Location</b>
<b>G018</b>	FMS - GATEWAY management ECU	B2c
<b>G102</b>	Onboard management ECU	B2c

### Onboard management "FMS + RAL"



**Onboard management "FMS + RAL"****Key to appliances**

<b>Code</b>	<b>Function name</b>	<b>Location</b>
<b>G018</b>	FMS - GATEWAY management ECU	B2c
<b>G102</b>	Onboard management ECU	B2c



**PINPOINTING OF APPLIANCES**

## **Summary of locations**

**Distribution box**

**CAN bus interconnection**

**Vehicle electronic management**

**Engine electronic management "DXi11 (1/2)"**

**Engine electronic management "DXi11 (2/2)"**

**Layout of appliances on engine "DXi11 (1/2)"**

**Layout of appliances on engine "DXi11 (2/2)"**

**Hydraulic retarder (1/2)**

**Hydraulic retarder (2/2)**

**Air suspension "4X2 - 6X2"**

**Air suspension "4X2 - 1C"**

**Air suspension "4X2 - 2C"**

**Air suspension "6X2 - 2C" TAG**

**Air suspension "6X2 - 2C" PUSHER**

**EBS "4X2 - 6X2" equipment**

**EBS "4X2" equipment**

**"4X2" equipment for wheelbase 3900**

**EBS "6X2" TAG equipment**

**EBS "6X2" PUSHER equipment**

**Automatic transmission**

**Automatic transmission**

**Electronic anti-theft**

**Alarm**

**Alarm**

**Lighting and signalling management**

**Doors management**

**Fuse(s) outside distribution box**

**Relay outside distribution box**

**Bodybuilders' equipment and prearrangements**

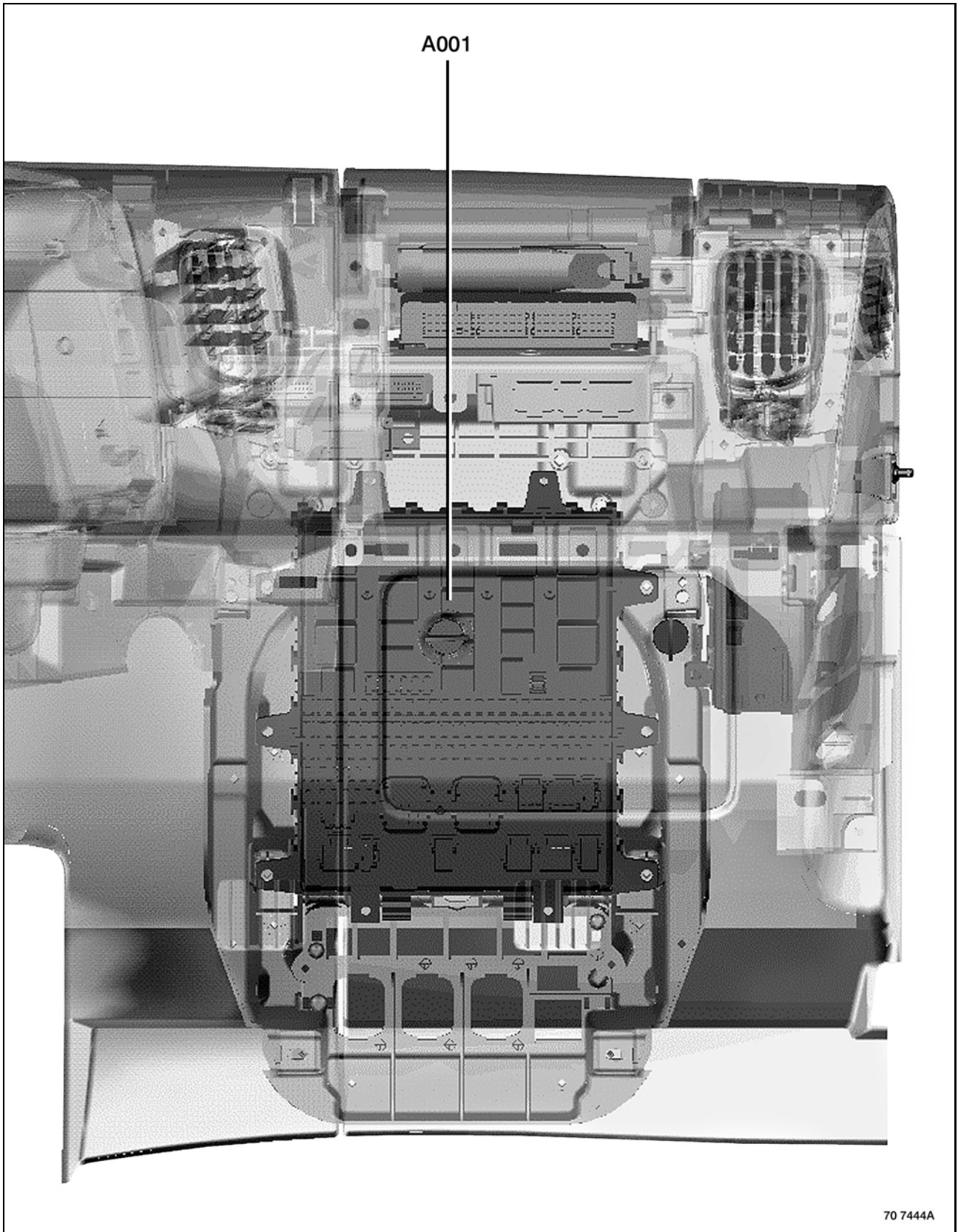
**Earths (1/2)**

**Earths (2/2)**





Distribution box

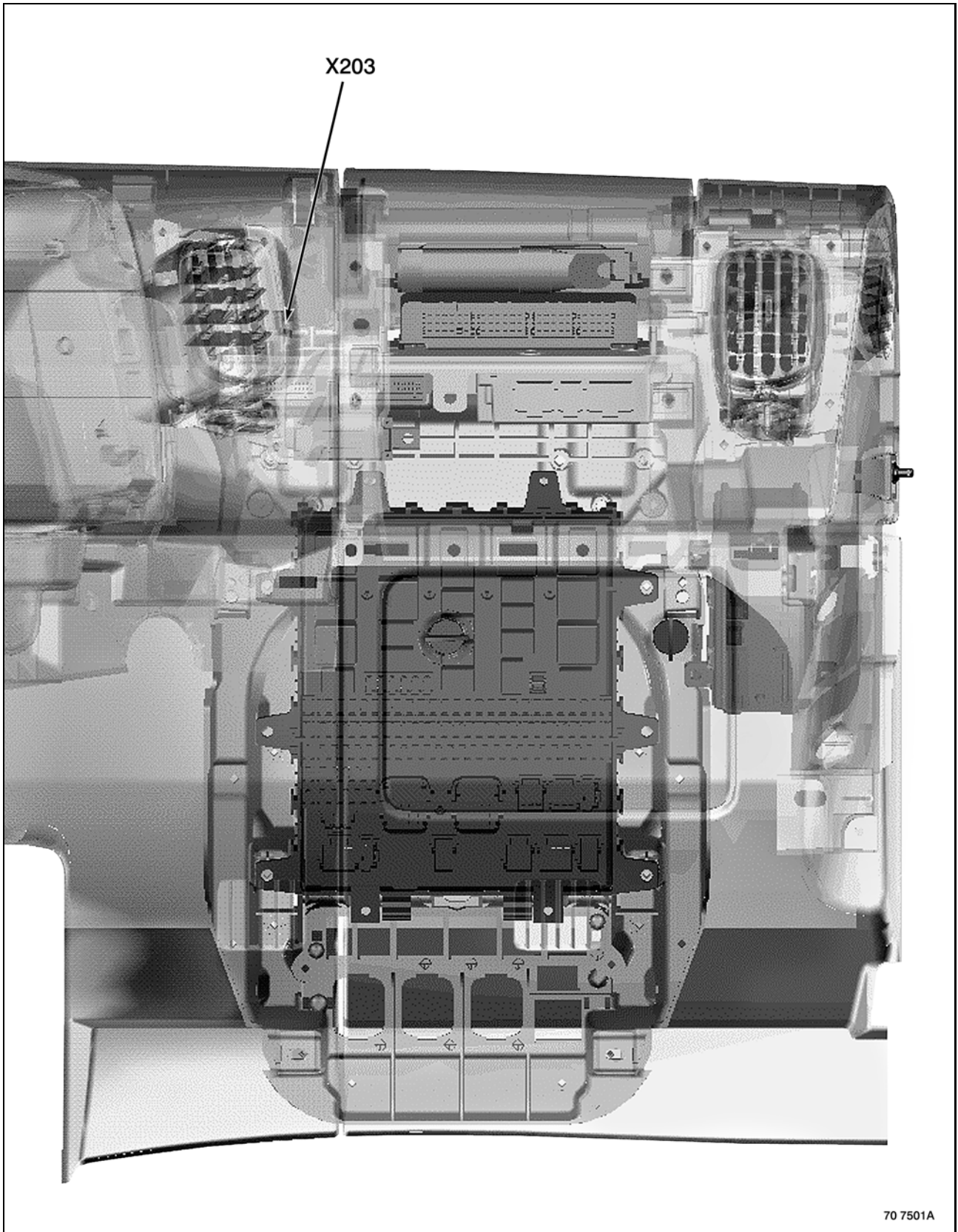


70 7444A

**Distribution box****Key to appliances**

Code	Function name	Location
A001	Cab electrical distribution box	006

CAN bus interconnection



70 7501A

**CAN bus interconnection**

Code	Function name	Location
<b>X203</b>	CAN bus grouping connector	007

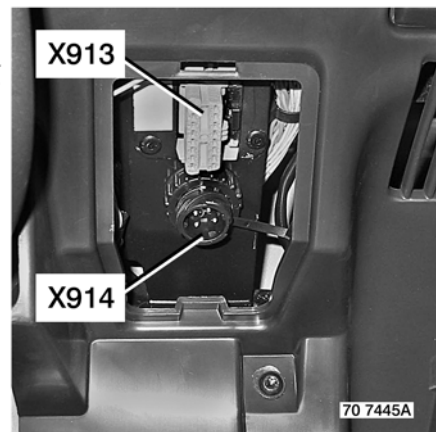
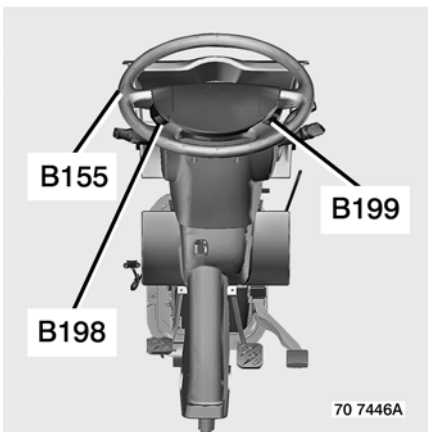
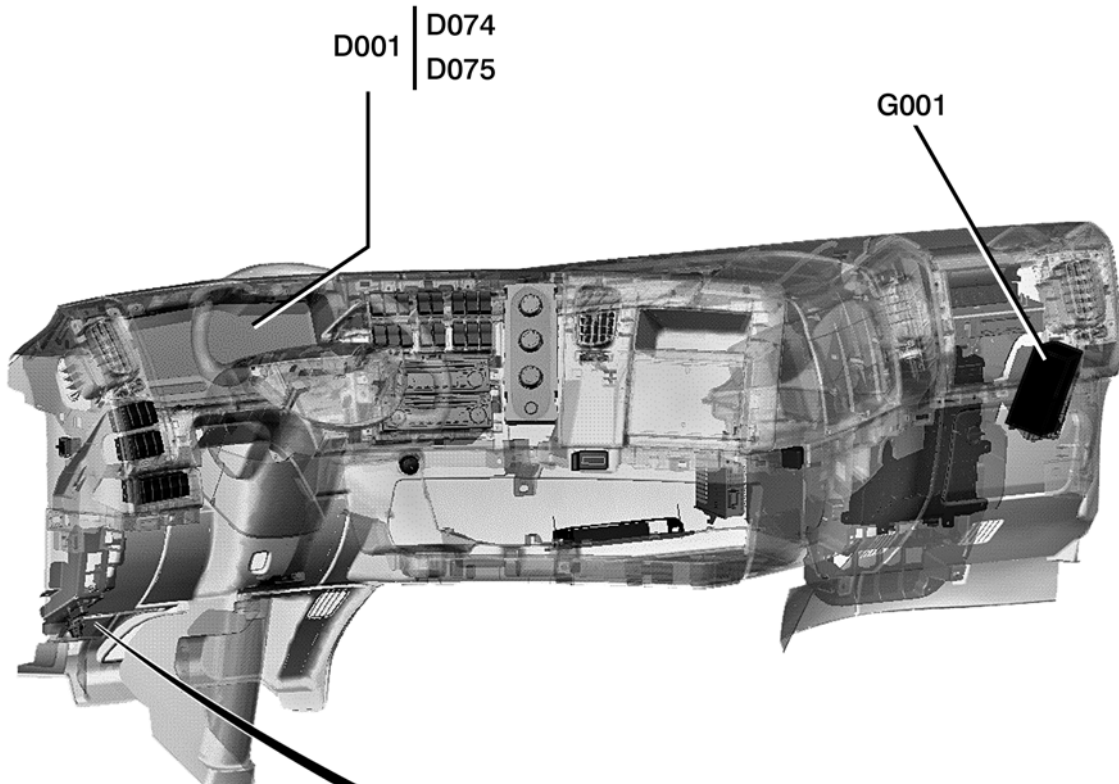
Vehicle electronic management



D074



D075



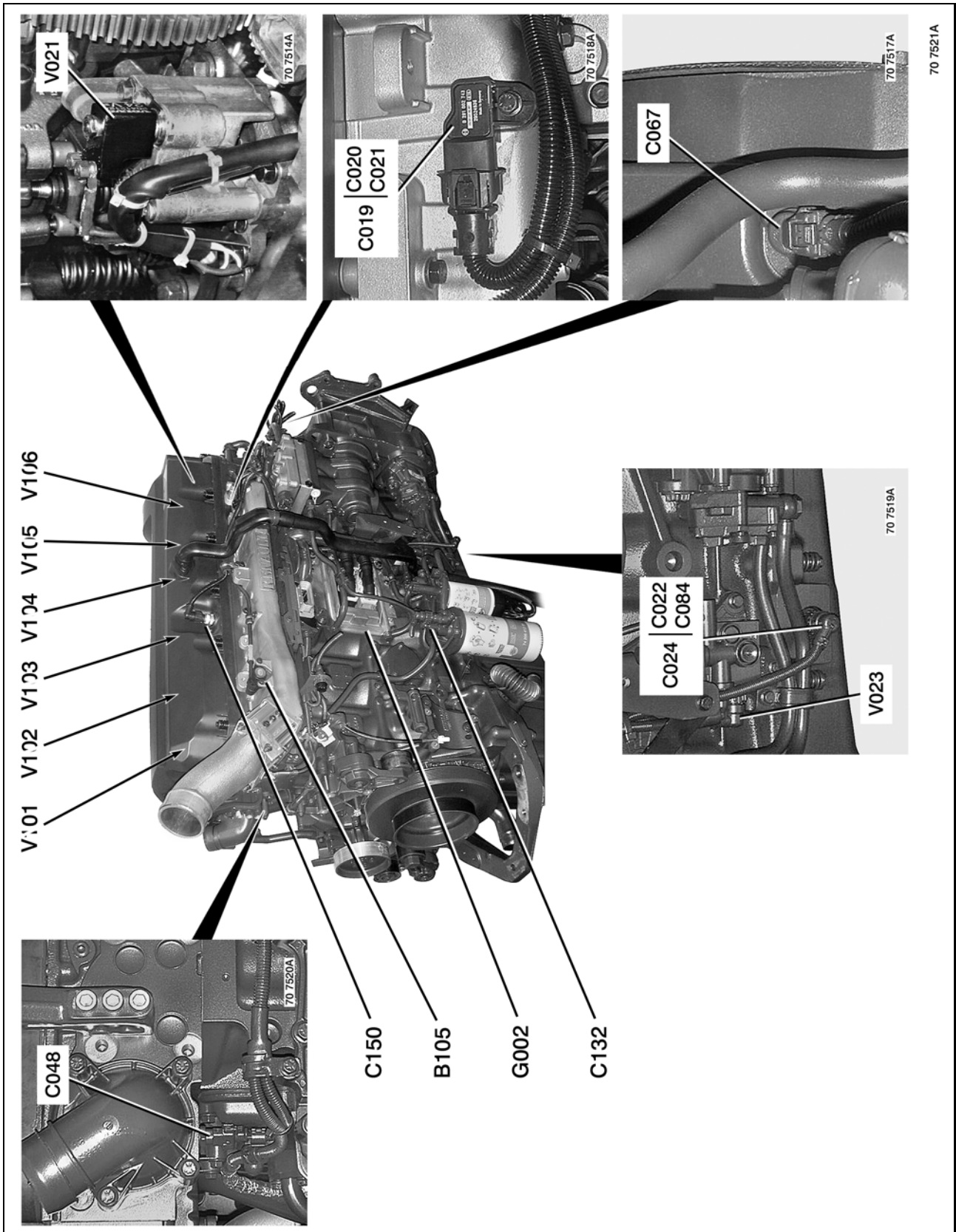
70 7448A

## Vehicle electronic management

### Key to appliances

Code	Function name	Location
<b>B155</b>	Electric or hydraulic retarder control	604
<b>B198</b>	Fast idling actuation control	602
<b>B199</b>	Fast idling adjustment control	602
<b>D001</b>	Principal information display	850/851
<b>D074</b>	"ALERT" warning light (vehicle electronics)	-
<b>D075</b>	Information tell-tale light (vehicle electronics deficiency)	-
<b>G001</b>	Vehicle management ECU	602/604
<b>X913</b>	Vehicle diagnostic socket	805
<b>X914</b>	Vehicle data extraction socket	805

Engine electronic management DXi11 (1/2)

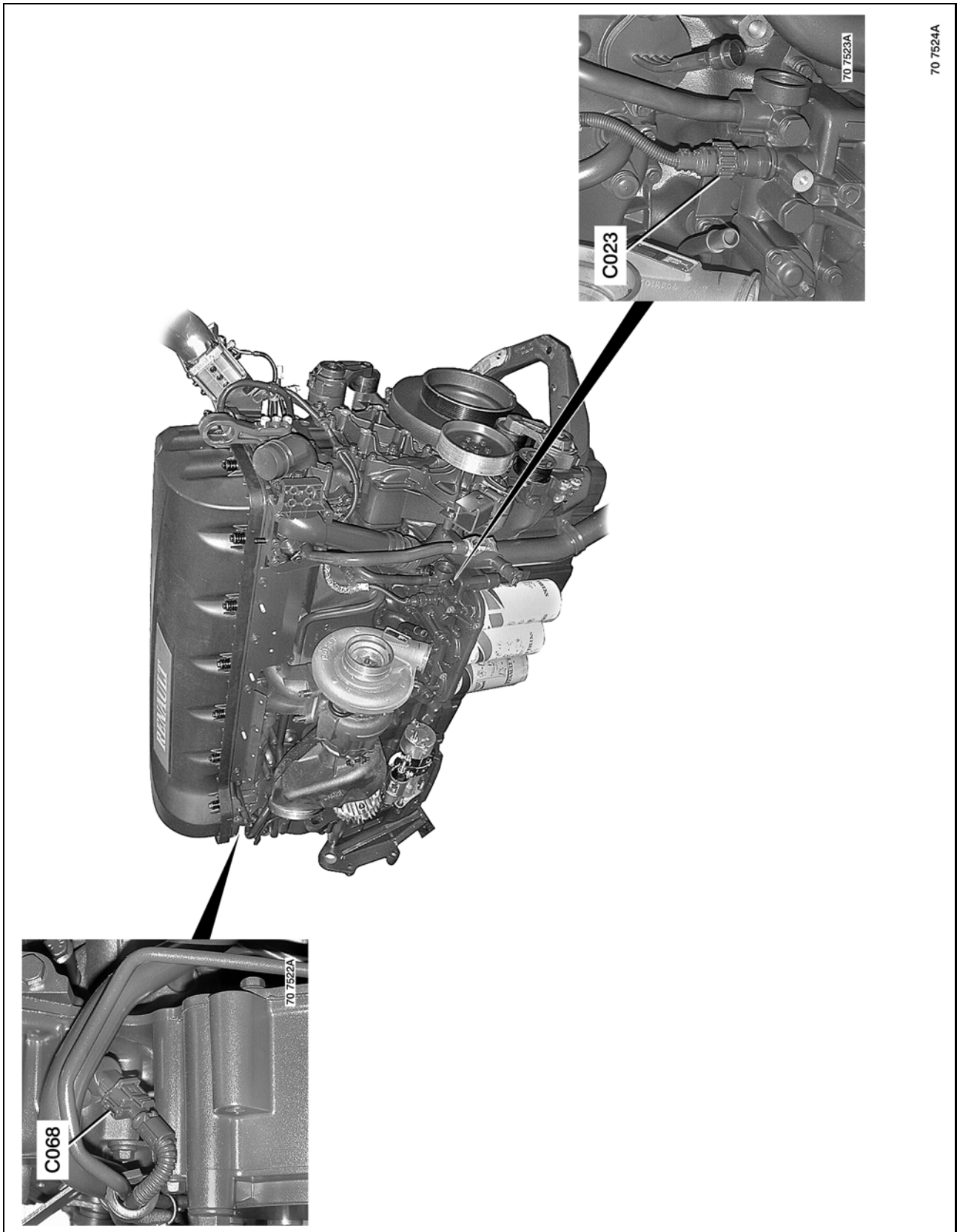




**Engine electronic management DXi11 (1/2)****Key to appliances**

<b>Code</b>	<b>Function name</b>	<b>Location</b>
<b>B105</b>	Engine stop control	610
<b>C019</b>	Turbocharging air pressure and temperature sensor	610
<b>C020</b>	Turbocharging air temperature sensor	610
<b>C021</b>	Turbocharging air pressure sensor	610
<b>C022</b>	Engine oil level sensor	610
<b>C024</b>	Engine oil level and pressure sensor unit	610
<b>C048</b>	Engine cooling circuit temperature sensor	612
<b>C067</b>	Flywheel speed sensor	610
<b>C150</b>	Engine block inside pressure sensor	612
<b>C084</b>	Engine oil temperature sensor	610
<b>C132</b>	Engine boost pressure sensor	612
<b>V021</b>	Engine brake N° 1 solenoid valve	612
<b>V023</b>	VTC engine brake electrovalve	612
<b>G002</b>	Engine management ECU	610/612
<b>V101</b>	Cylinder injector solenoid valve N° 1	610
<b>V102</b>	Cylinder injector solenoid valve N° 2	610
<b>V103</b>	Cylinder injector solenoid valve N° 3	610
<b>V104</b>	Cylinder injector solenoid valve N° 4	610
<b>V105</b>	Cylinder injector solenoid valve N° 5	610
<b>V106</b>	Cylinder injector solenoid valve N° 6	610

Engine electronic management DXi11 (2/2)

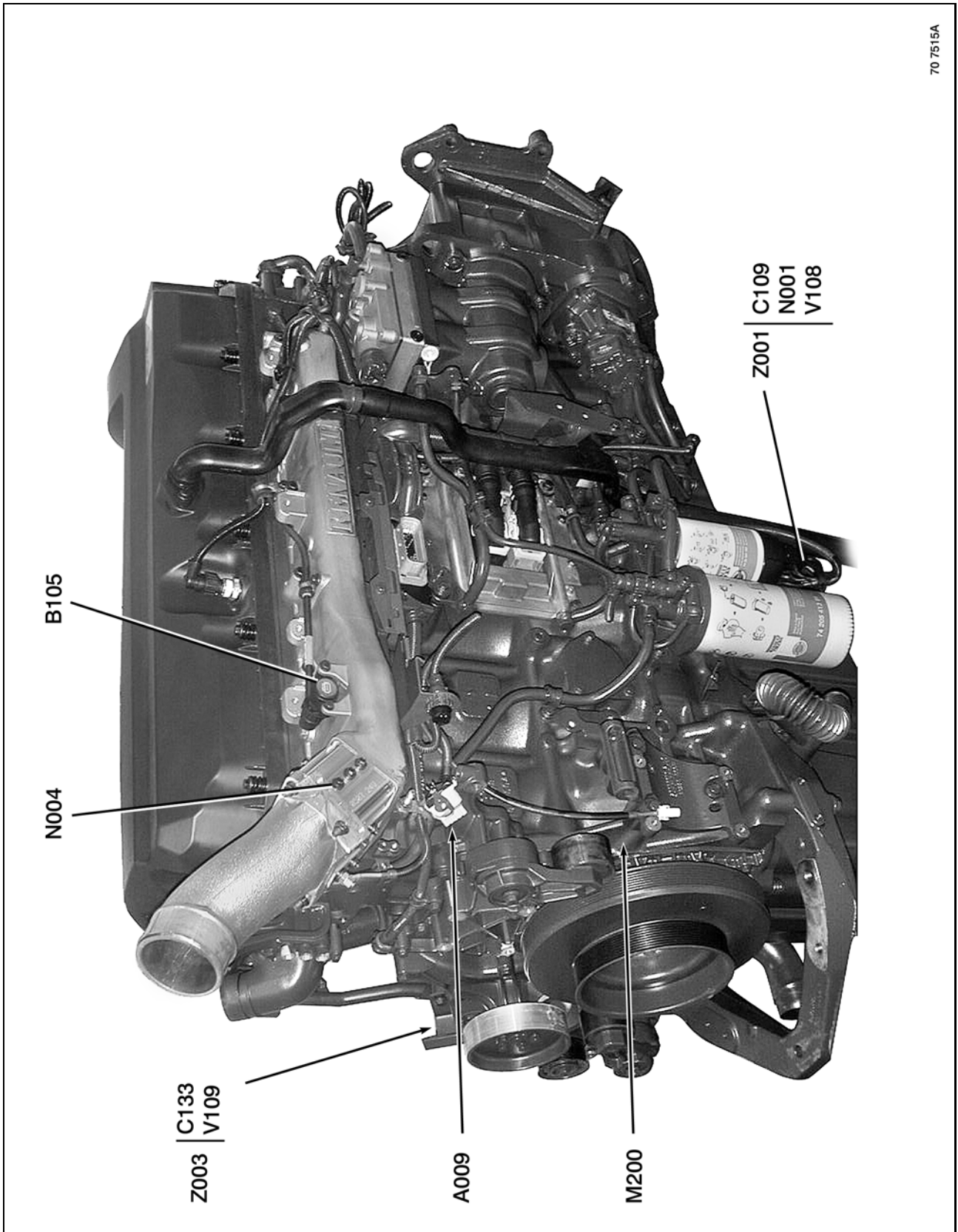


70 7524A

**Engine electronic management DXi11 (2/2)****Key to appliances**

<b>Code</b>	<b>Function name</b>	<b>Location</b>
<b>C023</b>	Engine oil pressure sensor	612
<b>C068</b>	Camshaft engine speed sensor	610

Layout of appliances on engine DXi11 (1/2)

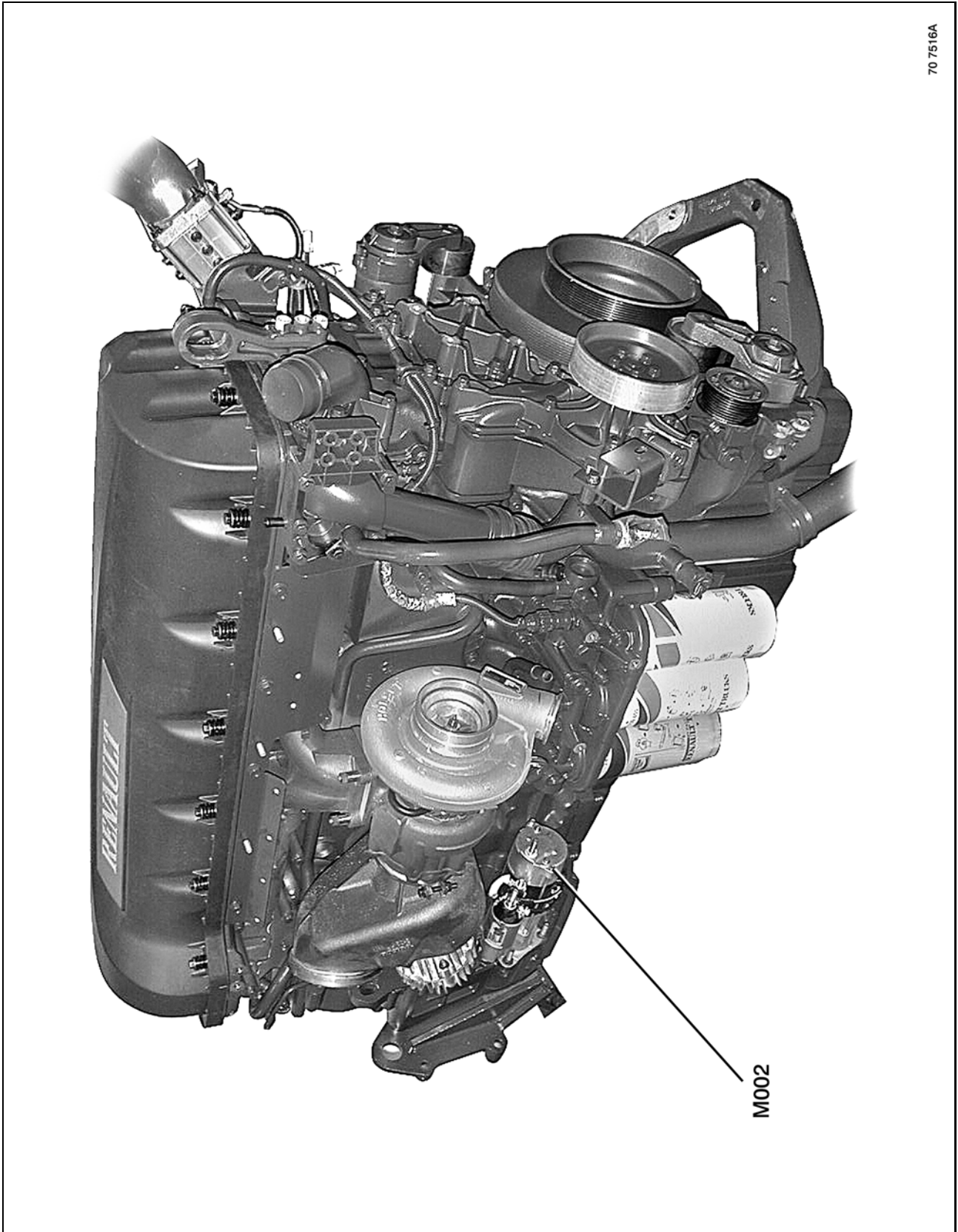


70 7515A

**Layout of appliances on engine DXi11 (1/2)****Key to appliances**

<b>Code</b>	<b>Function name</b>	<b>Location</b>
<b>A009</b>	Alternator	010/012
<b>B105</b>	Engine stop control	610
<b>C109</b>	Water in fuel sensor	612
<b>C133</b>	Engine cooling fan speed sensor	610
<b>M200</b>	Air conditioning compressor electric clutch	079
<b>N001</b>	Fuel heater resistor N° 2	612
<b>N004</b>	Air preheating resistor	612
<b>V108</b>	Air dryer bleeding solenoid valve	612
<b>V109</b>	Engine cooling fan speed regulation solenoid valve	610
<b>Z001</b>	Fuel heating unit	612
<b>Z003</b>	Fan speed regulator unit	610

Layout of appliances on engine DXi11 (2/2)

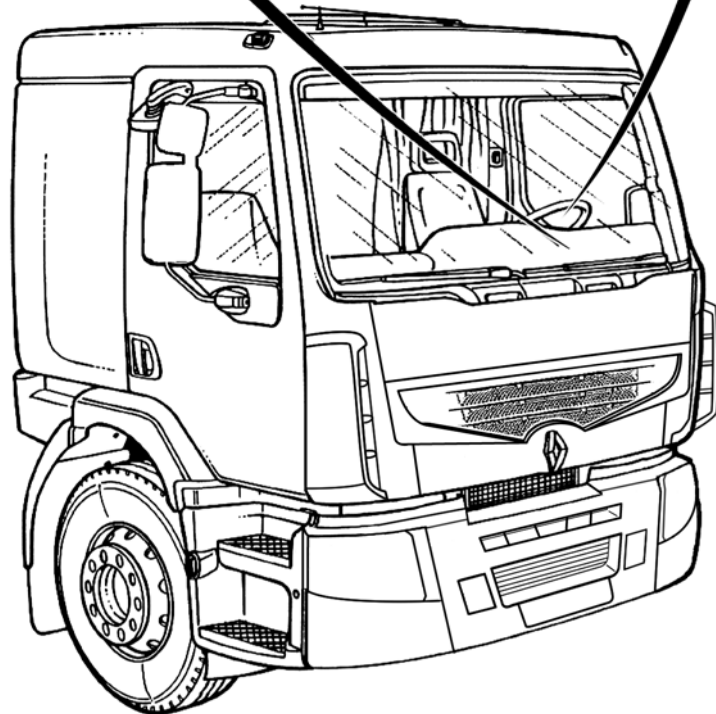
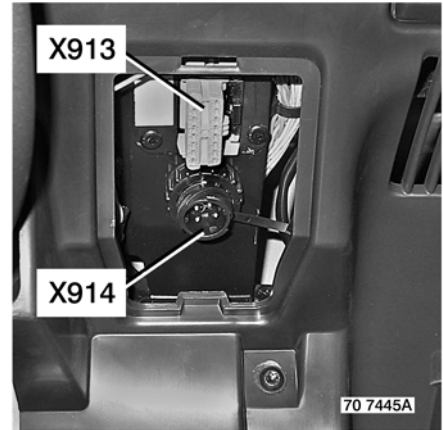


70 7516A

**Layout of appliances on engine DXi11 (2/2)****Key to appliances**

Code	Function name	Location
<b>M002</b>	Starter	010/012

### Hydraulic retarder (1/2)



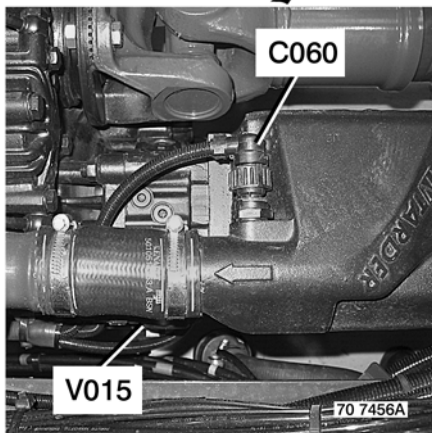
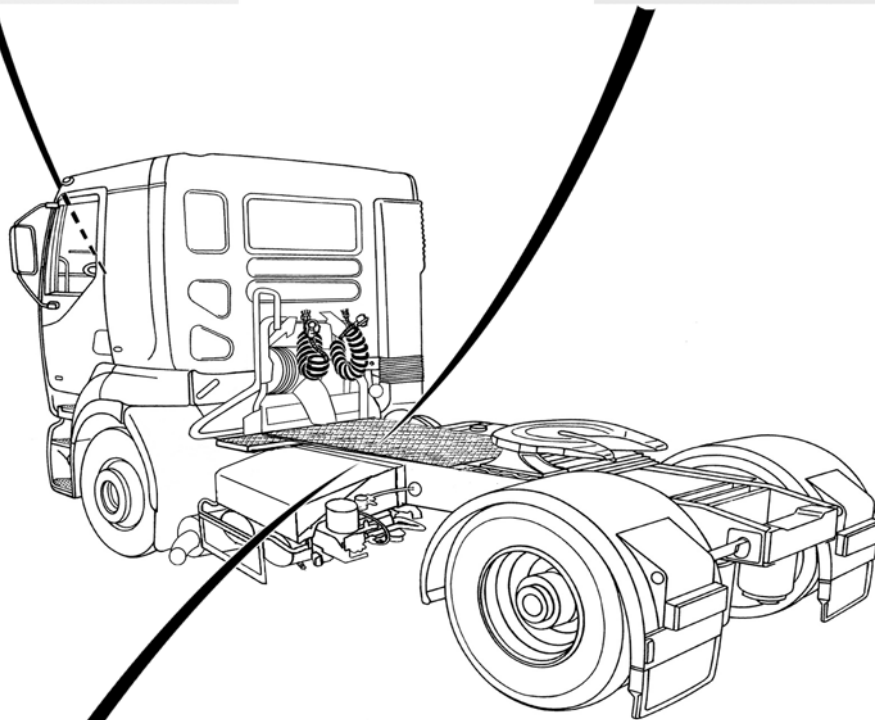
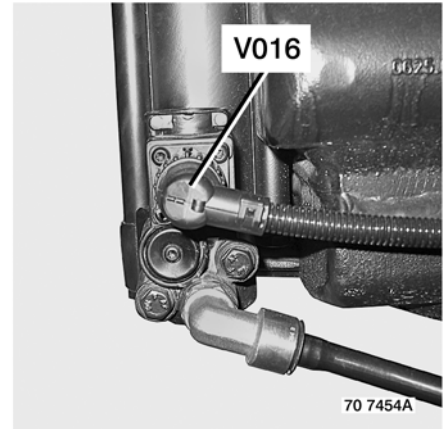
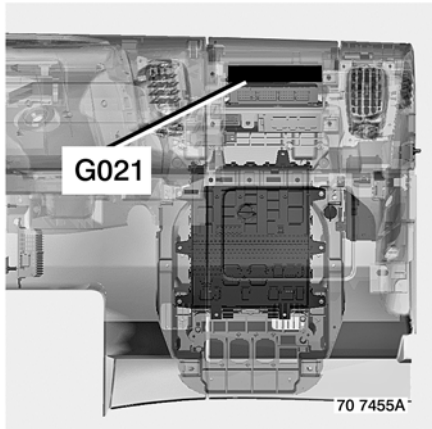
70 7450A



**Hydraulic retarder (1/2)****Key to appliances**

<b>Code</b>	<b>Function name</b>	<b>Location</b>
<b>B155</b>	Electric or hydraulic retarder control	604
<b>D055</b>	Electric or hydraulic retarder warning light	-
<b>X913</b>	Vehicle diagnostic socket	805
<b>X914</b>	Vehicle data extraction socket	805

Hydraulic retarder (2/2)

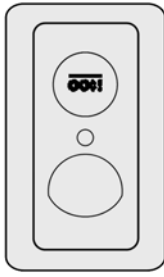


70 7457A

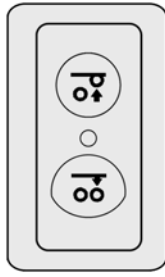
**Hydraulic retarder (2/2)****Key to appliances**

<b>Code</b>	<b>Function name</b>	<b>Location</b>
<b>C060</b>	Retarder coolant temperature sensor	204
<b>G021</b>	Hydraulic retarder ECU	204
<b>V015</b>	Retarder proportional electrovalve	204
<b>V016</b>	Retarder accumulation electrovalve	204

Air suspension "4 X 2 - 6 X 2"



B165



B184



D070

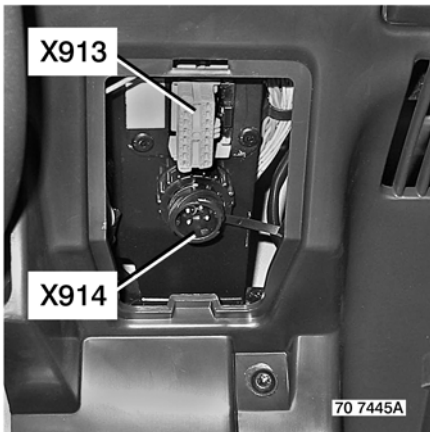
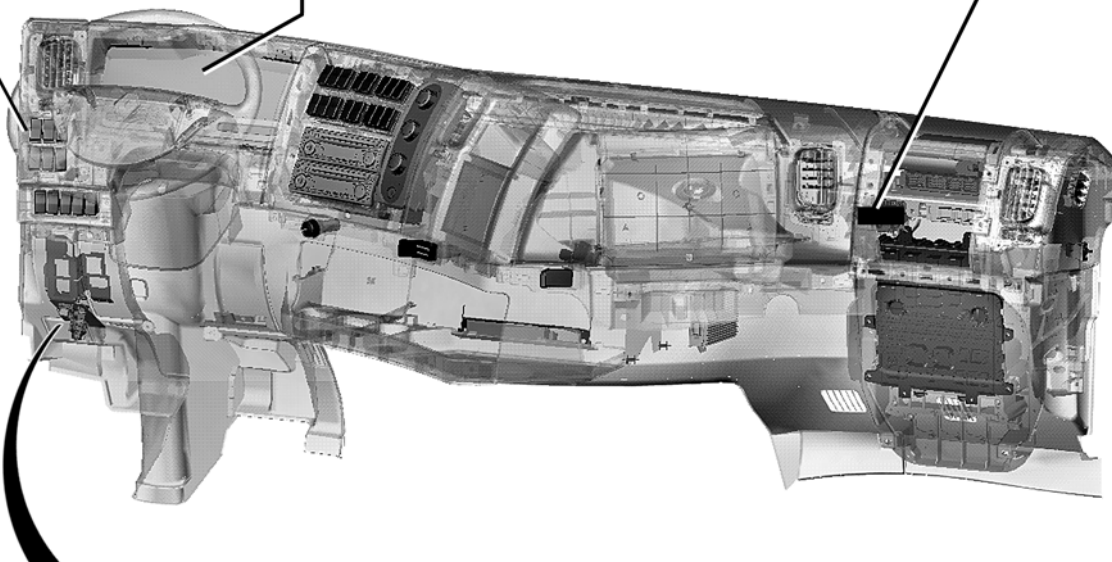


D071

B165  
B184

D001 | D070  
D071

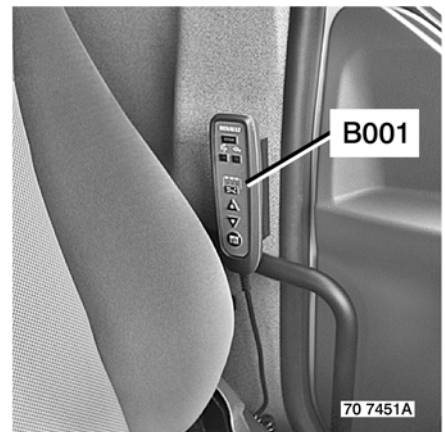
G004



X913

X914

70 7445A



B001

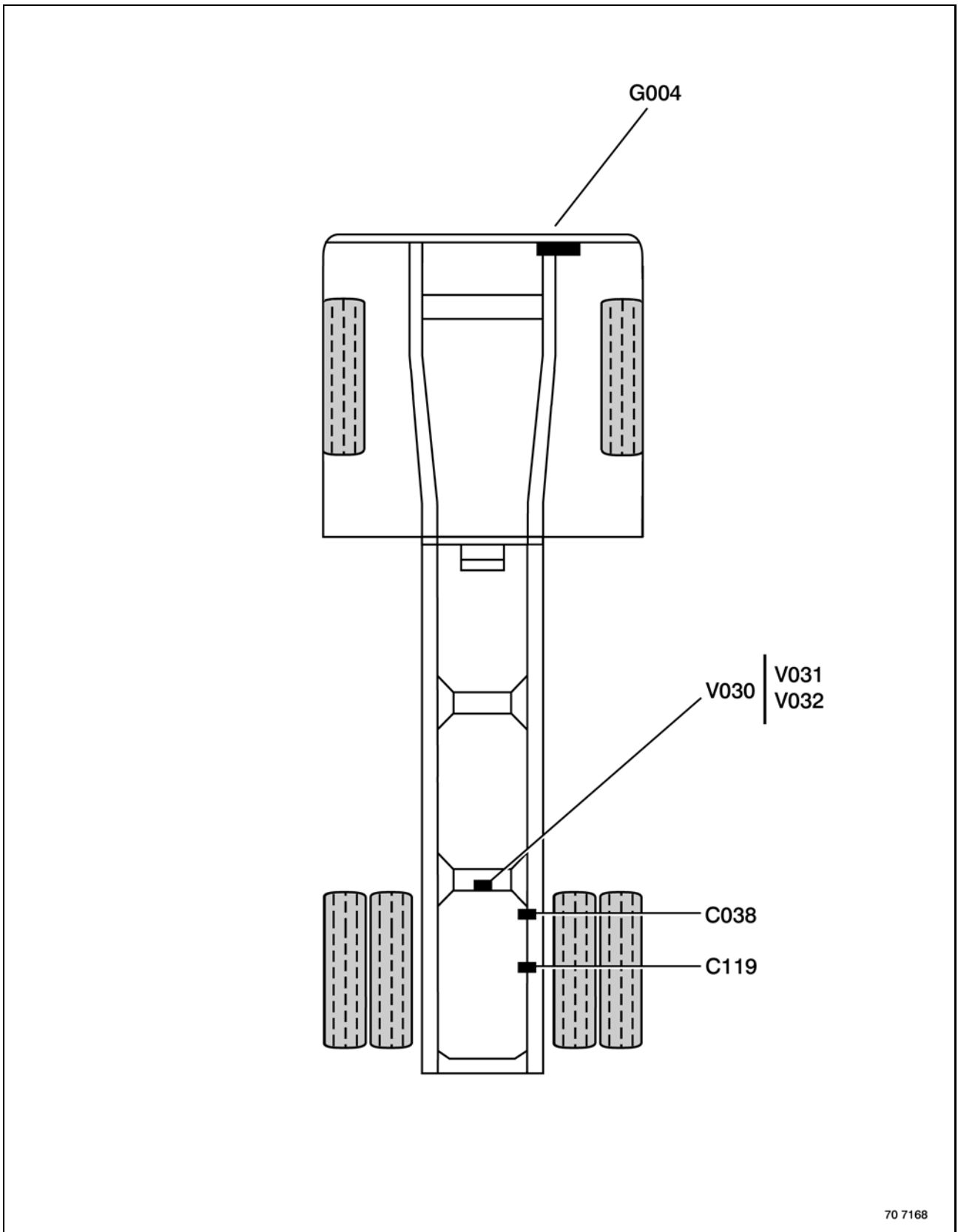
70 7451A

70 7453A

**Air suspension "4 X 2 - 6 X 2 "****Key to appliances**

<b>Code</b>	<b>Function name</b>	<b>Location</b>
<b>B001</b>	Air suspension remote control	150/152/154
<b>B165</b>	Second rear axle lift-up control	154
<b>B184</b>	Axle load-shedding activation control	154
<b>D001</b>	Principal information display	850/851
<b>D070</b>	Suspension information tell-tale light	-
<b>D071</b>	Suspension "ALERT" warning light	-
<b>G004</b>	Air suspension ECU	150/152/154
<b>X913</b>	Vehicle diagnostic socket	805
<b>X914</b>	Vehicle data extraction socket	805

Air suspension "4 X 2 - 1C"

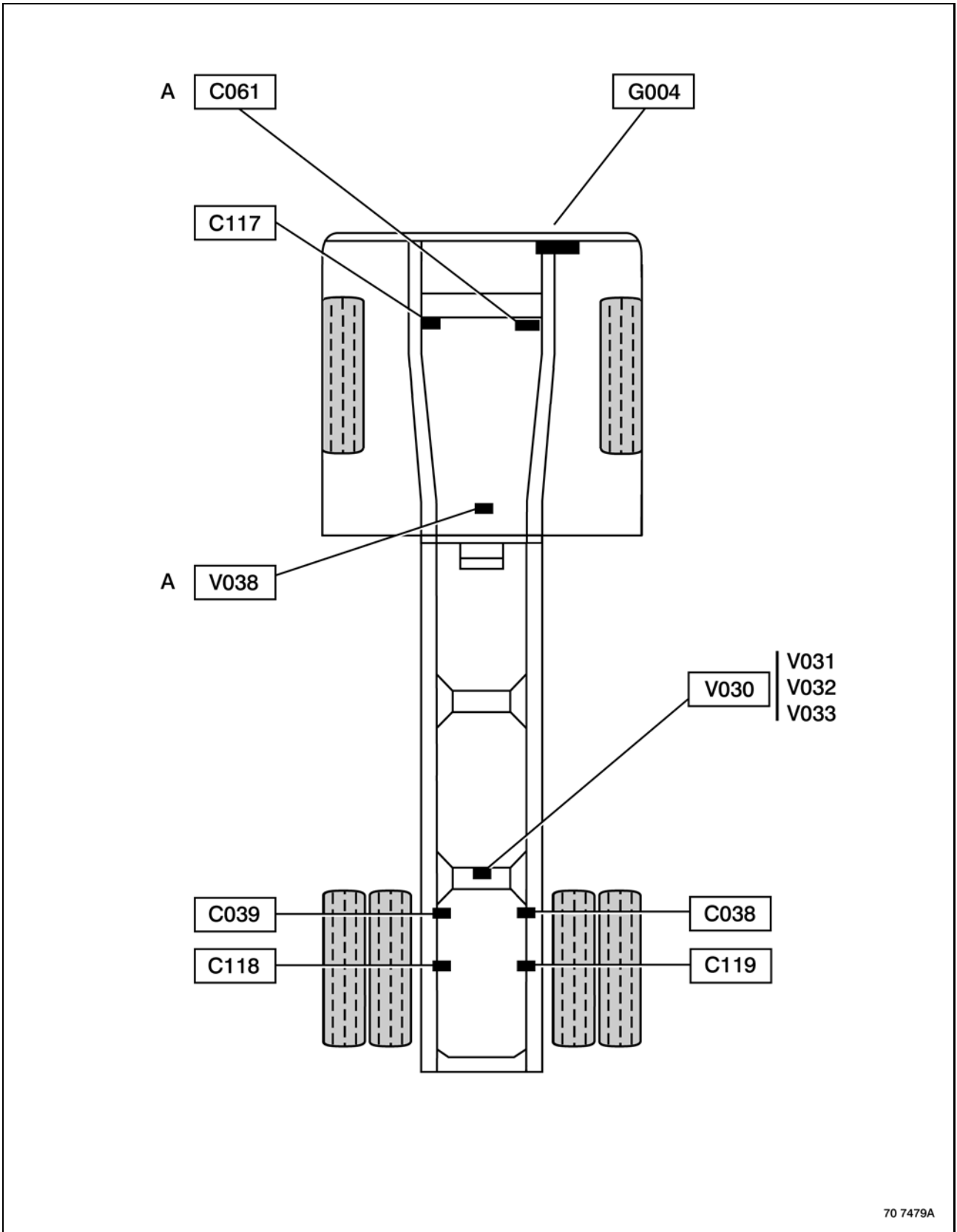


70 7168

**Air suspension "4 X 2 - 1C"****Key to appliances**

<b>Code</b>	<b>Function name</b>	<b>Location</b>
<b>C038</b>	Drive axle suspension RH position sensor	150
<b>C119</b>	Drive axle suspension RH pressure sensor	150
<b>G004</b>	Air suspension ECU	150
<b>V030</b>	Drive axle suspension control solenoid valve unit	150
<b>V031</b>	Drive axle rear suspension main electrovalve	150
<b>V032</b>	Drive axle rear suspension (RH side) electrovalve	150

Air suspension "4 X 2 - 2C"





**Air suspension "4 X 2 - 2C"****Key to appliances**

Code	Function name	Location
------	---------------	----------

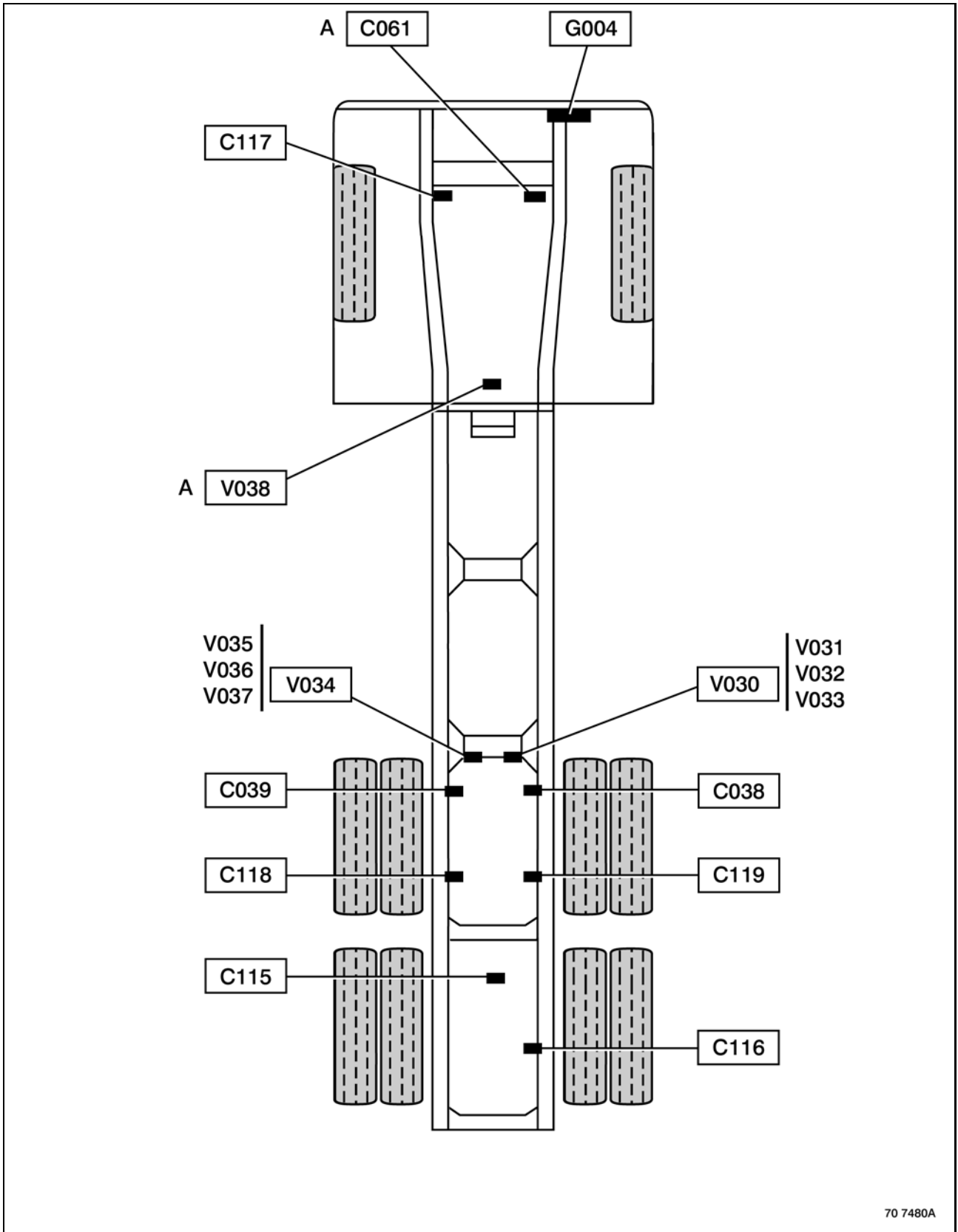
## Standard suspension

<b>C038</b>	Drive axle suspension RH position sensor	150
<b>C039</b>	Drive axle suspension LH position sensor	150
<b>C117</b>	Front air spring pressure sensor	154
<b>C118</b>	Drive axle suspension LH pressure sensor	150
<b>C119</b>	Drive axle suspension RH pressure sensor	150
<b>G004</b>	Air suspension ECU	150
<b>V030</b>	Drive axle suspension control solenoid valve unit	150
<b>V031</b>	Drive axle rear suspension main electrovalve	150
<b>V032</b>	Drive axle rear suspension (RH side) electrovalve	150
<b>V033</b>	Drive axle rear suspension (LH side) electrovalve	150

**A: with 4x2 integral suspension, 2 sensor(s)**

<b>C061</b>	Front axle suspension position sensor	154
<b>V038</b>	Front suspension electrovalve	154

Air suspension "6 X 2 - 2C" TAG



## Air suspension "6 X 2 - 2C" TAG

### Key to appliances

Code	Function name	Location
------	---------------	----------

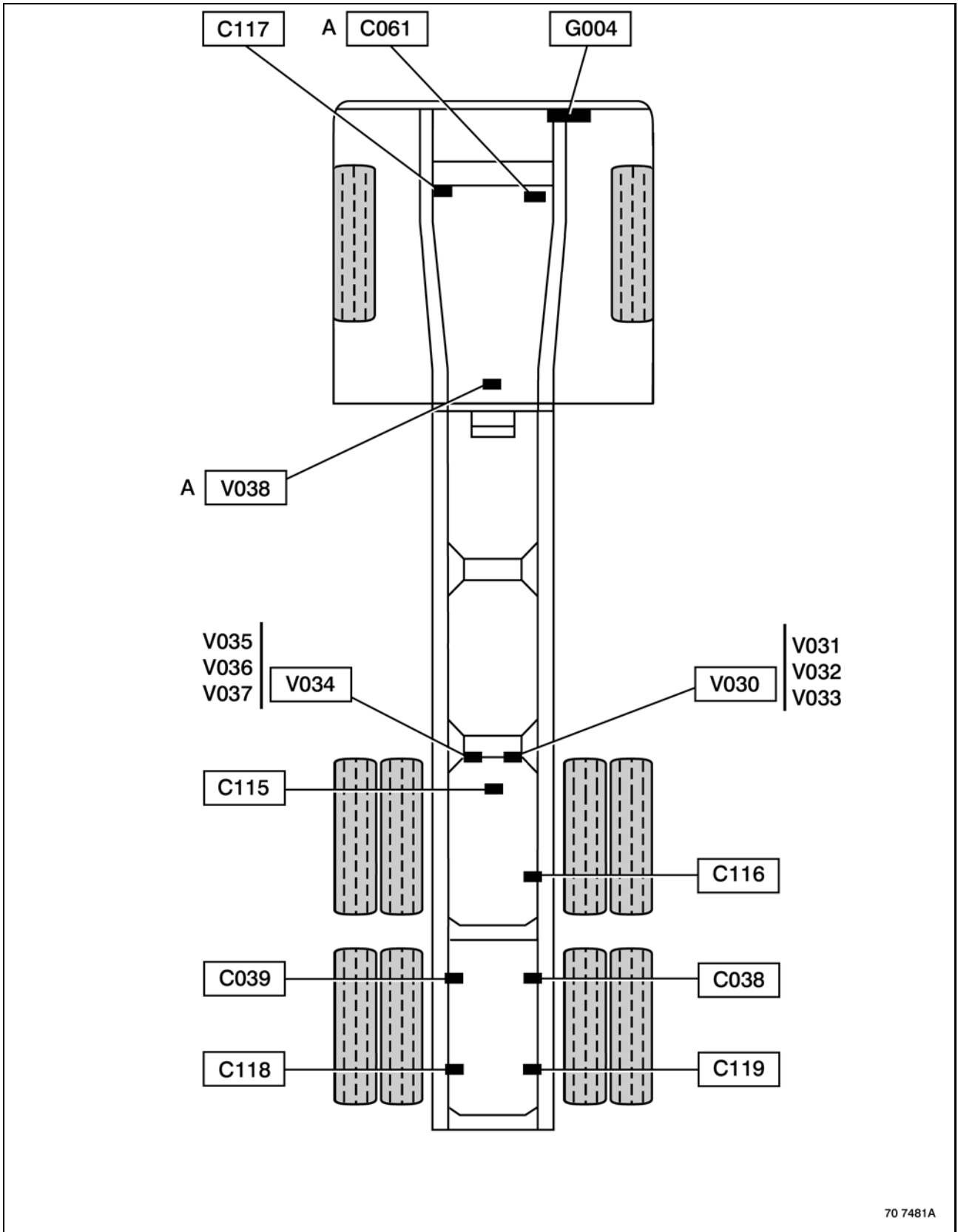
#### Standard suspension

<b>C038</b>	Drive axle suspension RH position sensor	152/154
<b>C039</b>	Drive axle suspension LH position sensor	152/154
<b>C115</b>	Lift-up air spring pressure sensor	154
<b>C116</b>	Middle axle suspension air pressure sensor	154
<b>C117</b>	Front air spring pressure sensor	152/154
<b>C118</b>	Drive axle suspension LH pressure sensor	152/154
<b>C119</b>	Drive axle suspension RH pressure sensor	152/154
<b>G004</b>	Air suspension ECU	152/154
<b>V030</b>	Drive axle suspension control solenoid valve unit	152/154
<b>V031</b>	Drive axle rear suspension main electrovalve	152/154
<b>V032</b>	Drive axle rear suspension (RH side) electrovalve	152/154
<b>V033</b>	Drive axle rear suspension (LH side) electrovalve	152/154
<b>V034</b>	Rear axle suspension control solenoid valve unit	154
<b>V035</b>	Rear axle suspension main electrovalve	154
<b>V036</b>	Rear axle suspension electrovalve	154
<b>V037</b>	Lift-up air spring control electrovalve	154

#### A: with 4x2 integral suspension, 2 sensor(s)

<b>C061</b>	Front axle suspension position sensor	152/154
<b>V038</b>	Front suspension electrovalve	152/154

Air suspension "6 X 2 - 2C" PUSHER



70 7481A

## Air suspension "6 X 2 - 2C" PUSHER

### Key to appliances

Code	Function name	Location
------	---------------	----------

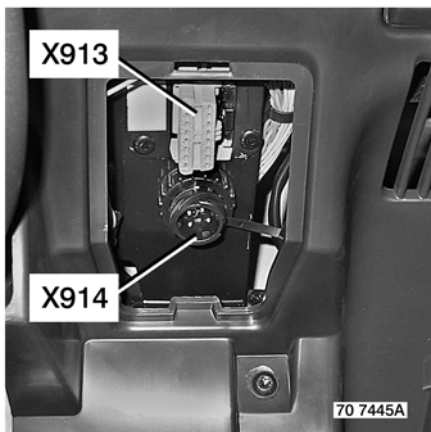
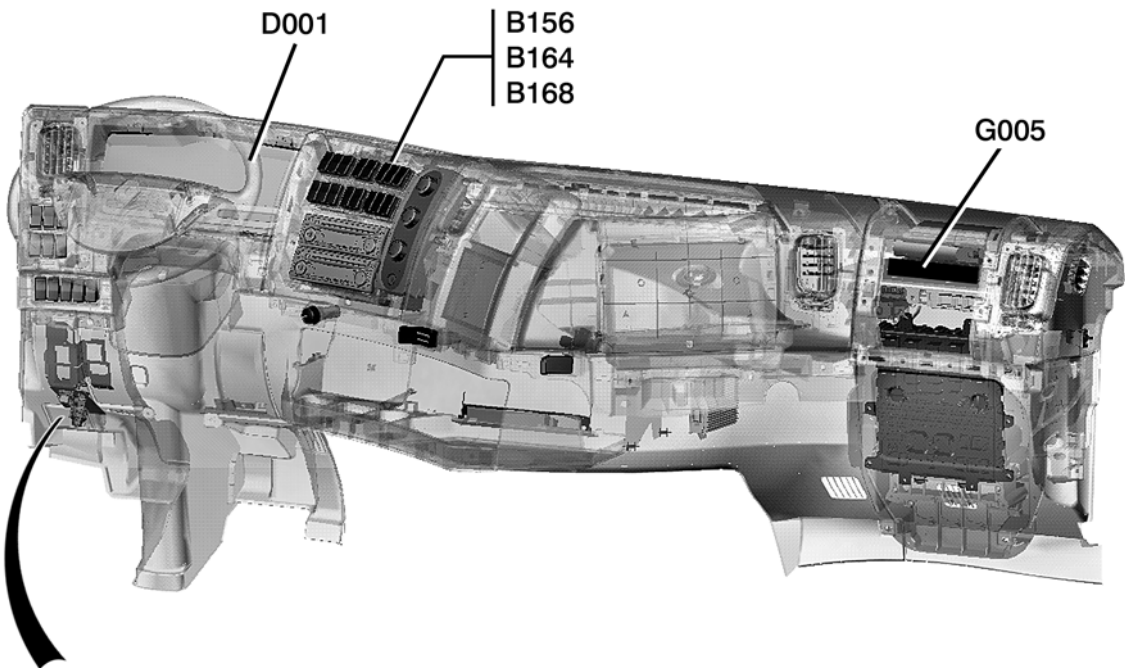
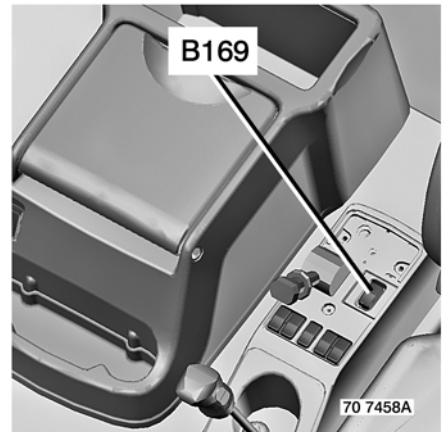
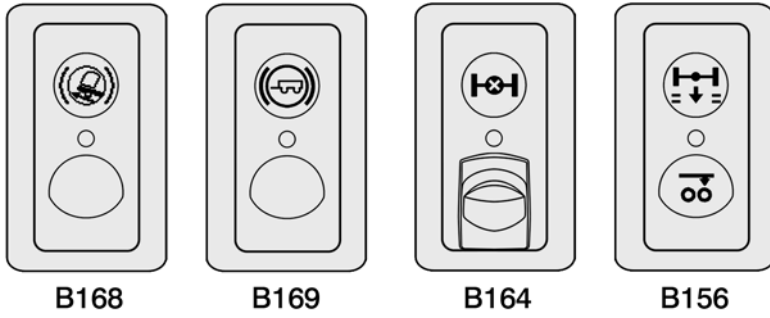
#### Standard suspension

<b>C038</b>	Drive axle suspension RH position sensor	152/154
<b>C039</b>	Drive axle suspension LH position sensor	152/154
<b>C115</b>	Lift-up air spring pressure sensor	152/154
<b>C116</b>	Middle axle suspension air pressure sensor	152/154
<b>C117</b>	Front air spring pressure sensor	152/154
<b>C118</b>	Drive axle suspension LH pressure sensor	152/154
<b>C119</b>	Drive axle suspension RH pressure sensor	152/154
<b>G004</b>	Air suspension ECU	152/154
<b>V030</b>	Drive axle suspension control solenoid valve unit	152/154
<b>V031</b>	Drive axle rear suspension main electrovalve	152/154
<b>V032</b>	Drive axle rear suspension (RH side) electrovalve	152/154
<b>V033</b>	Drive axle rear suspension (LH side) electrovalve	152/154
<b>V034</b>	Rear axle suspension control solenoid valve unit	154
<b>V035</b>	Rear axle suspension main electrovalve	154
<b>V036</b>	Rear axle suspension electrovalve	154
<b>V037</b>	Lift-up air spring control electrovalve	152/154

#### A: with 4x2 integral suspension, 2 sensor(s)

<b>C061</b>	Front axle suspension position sensor	152/154
<b>V038</b>	Front suspension electrovalve	152/154

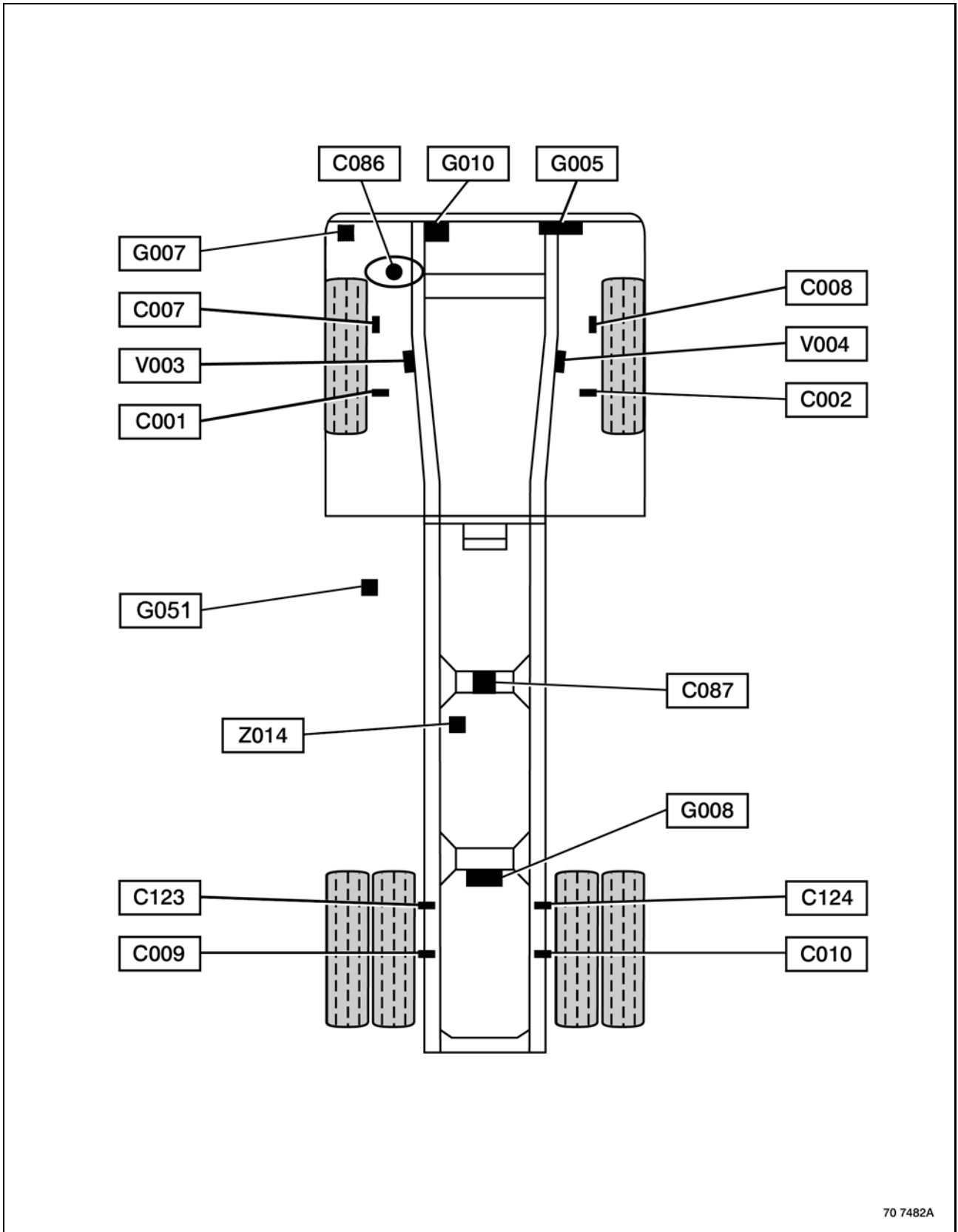
"EBS" "4 X 2 - 6 X 2 " equipment



**"EBS" "4 X 2 - 6 X 2" equipment****Key to appliances**

<b>Code</b>	<b>Function name</b>	<b>Location</b>
<b>B156</b>	"ASR" cut-off control	-
<b>B164</b>	Rear wheels diff. lock control	100
<b>B168</b>	Traction control enabling control	104
<b>B169</b>	Trailer brake holding enabling control	105
<b>D001</b>	Principal information display	850 / 851
<b>G005</b>	EBS braking management ECU	102 / 103 / 104 / 105
<b>X913</b>	Vehicle diagnostic socket	805
<b>X914</b>	Vehicle data extraction socket	805

"EBS" "4 X 2" equipment



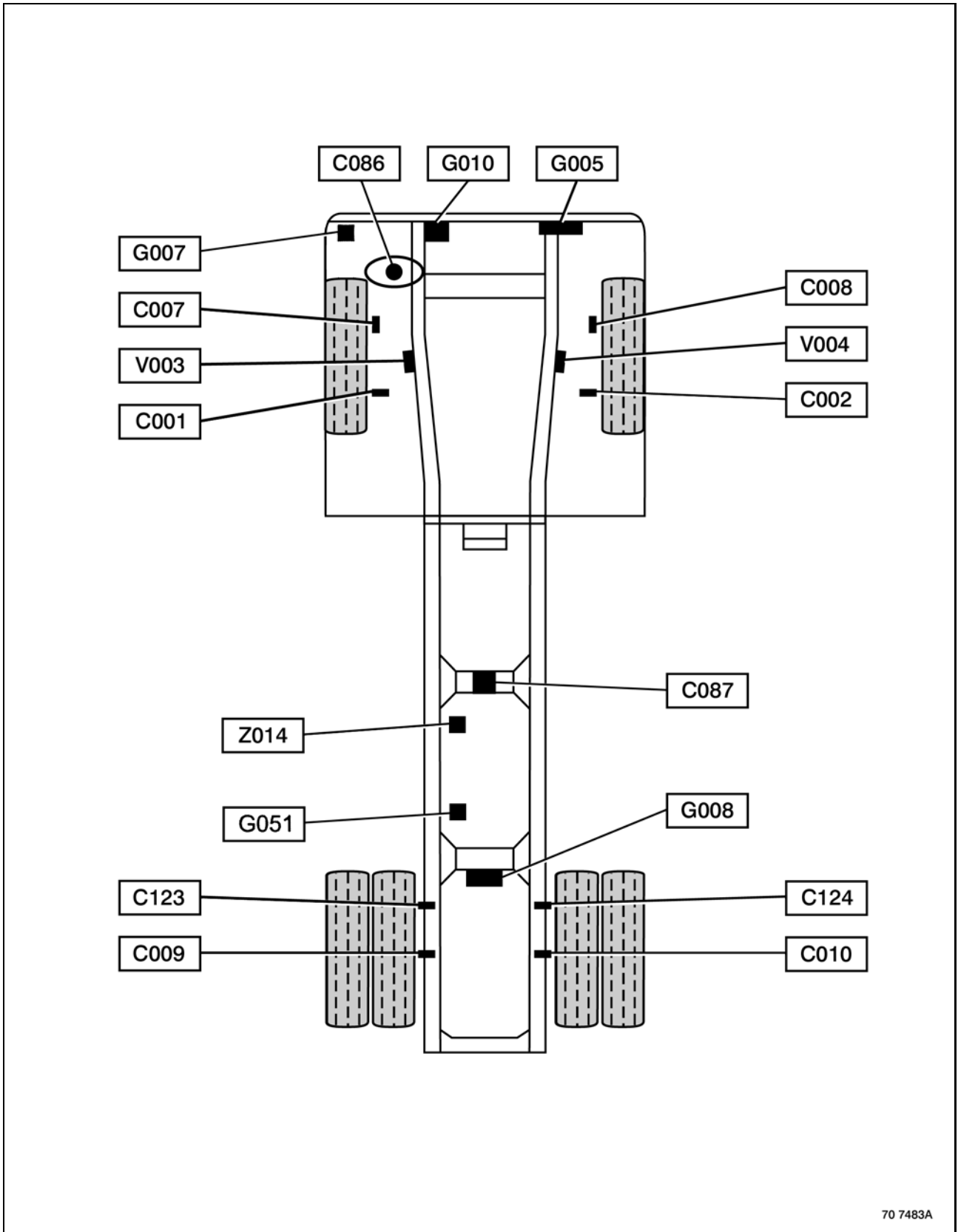
70 7482A



**"EBS" "4 X 2" equipment****Key to appliances**

<b>Code</b>	<b>Function name</b>	<b>Location</b>
<b>C001</b>	LH front wheel brake linings wear sensor	103
<b>C002</b>	RH front wheel brake linings wear sensor	103
<b>C007</b>	LH front wheel speed sensor	103
<b>C008</b>	RH front wheel speed sensor	103
<b>C009</b>	LH rear wheel speed sensor	103
<b>C010</b>	RH rear wheel speed sensor	103
<b>C086</b>	Steering lockover angle sensor	104
<b>C087</b>	Chassis lateral acceleration sensor	104
<b>C123</b>	LH rear wheel brake linings wear sensor (drive axle N° 1)	103
<b>C124</b>	RH rear wheel brake linings wear sensor (drive axle N° 1)	103
<b>G005</b>	EBS braking management ECU	102/103/104/ 105
<b>G007</b>	Front axle braking assistance modulator unit	103
<b>G008</b>	Drive axle braking assistance modulator unit	103
<b>G010</b>	Footbrake control modulator unit	-
<b>G051</b>	Air production management ECU	040
<b>V003</b>	LH roadwheel ABS electrovalve	103
<b>V004</b>	RH roadwheel ABS electrovalve	103
<b>Z014</b>	Trailer brake control EBS modulator unit	105

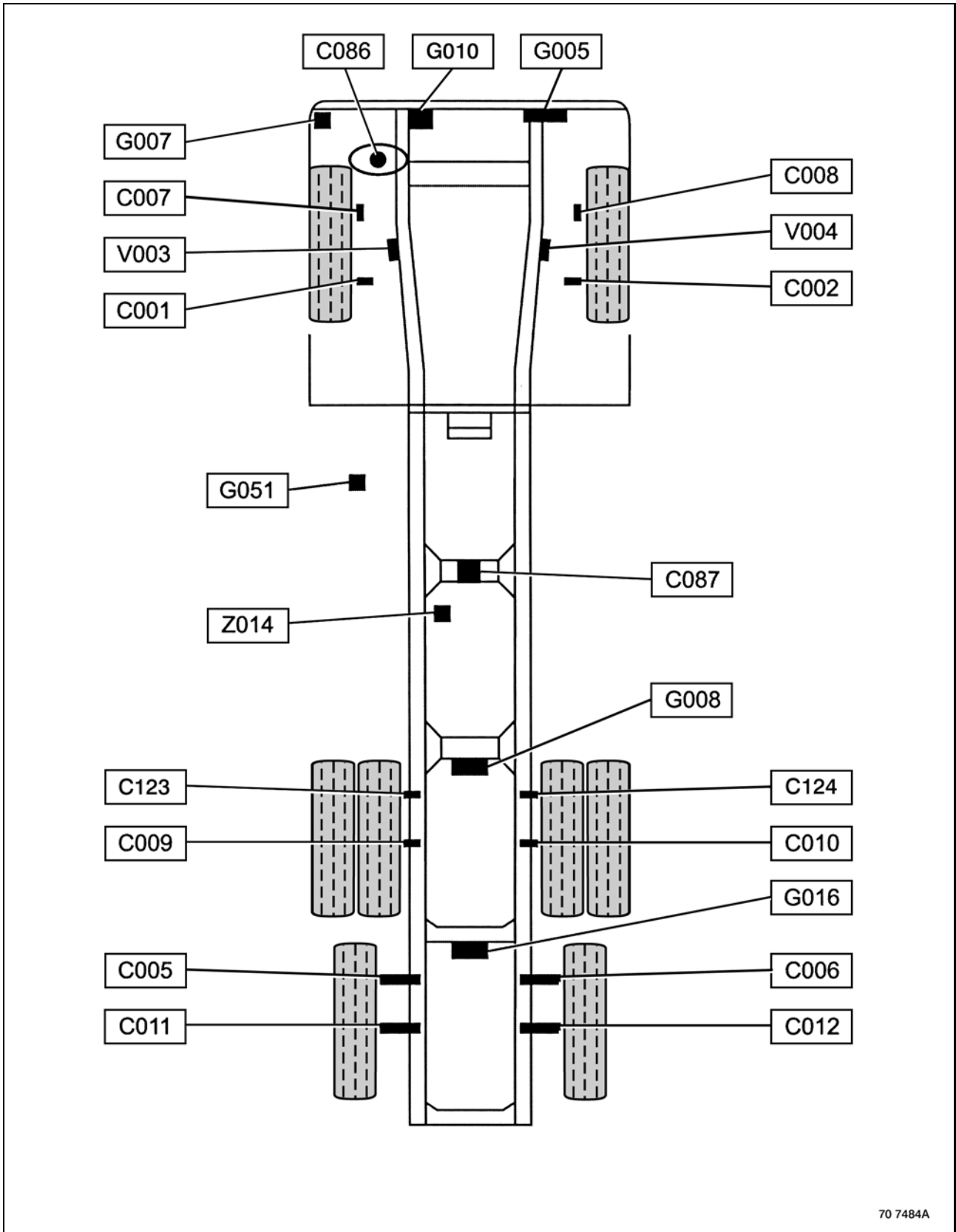
EBS 4X2 equipment for wheelbase 3900



**EBS 4X2 equipment for wheelbase 3900****Key to appliances**

<b>Code</b>	<b>Function name</b>	<b>Location</b>
<b>C001</b>	LH front wheel brake linings wear sensor	103
<b>C002</b>	RH front wheel brake linings wear sensor	103
<b>C007</b>	LH front wheel speed sensor	103
<b>C008</b>	RH front wheel speed sensor	103
<b>C009</b>	LH rear wheel speed sensor	103
<b>C010</b>	RH rear wheel speed sensor	103
<b>C086</b>	Steering lockover angle sensor	104
<b>C087</b>	Chassis lateral acceleration sensor	104
<b>C123</b>	LH rear wheel brake linings wear sensor (drive axle N° 1)	103
<b>C124</b>	RH rear wheel brake linings wear sensor (drive axle N° 1)	103
<b>G005</b>	EBS braking management ECU	102/103/104/ 105
<b>G007</b>	Front axle braking assistance modulator unit	103
<b>G008</b>	Drive axle braking assistance modulator unit	103
<b>G010</b>	Footbrake control modulator unit	-
<b>G051</b>	Air production management ECU	040
<b>V003</b>	LH roadwheel ABS electrovalve	103
<b>V004</b>	RH roadwheel ABS electrovalve	103
<b>Z014</b>	Trailer brake control EBS modulator unit	105

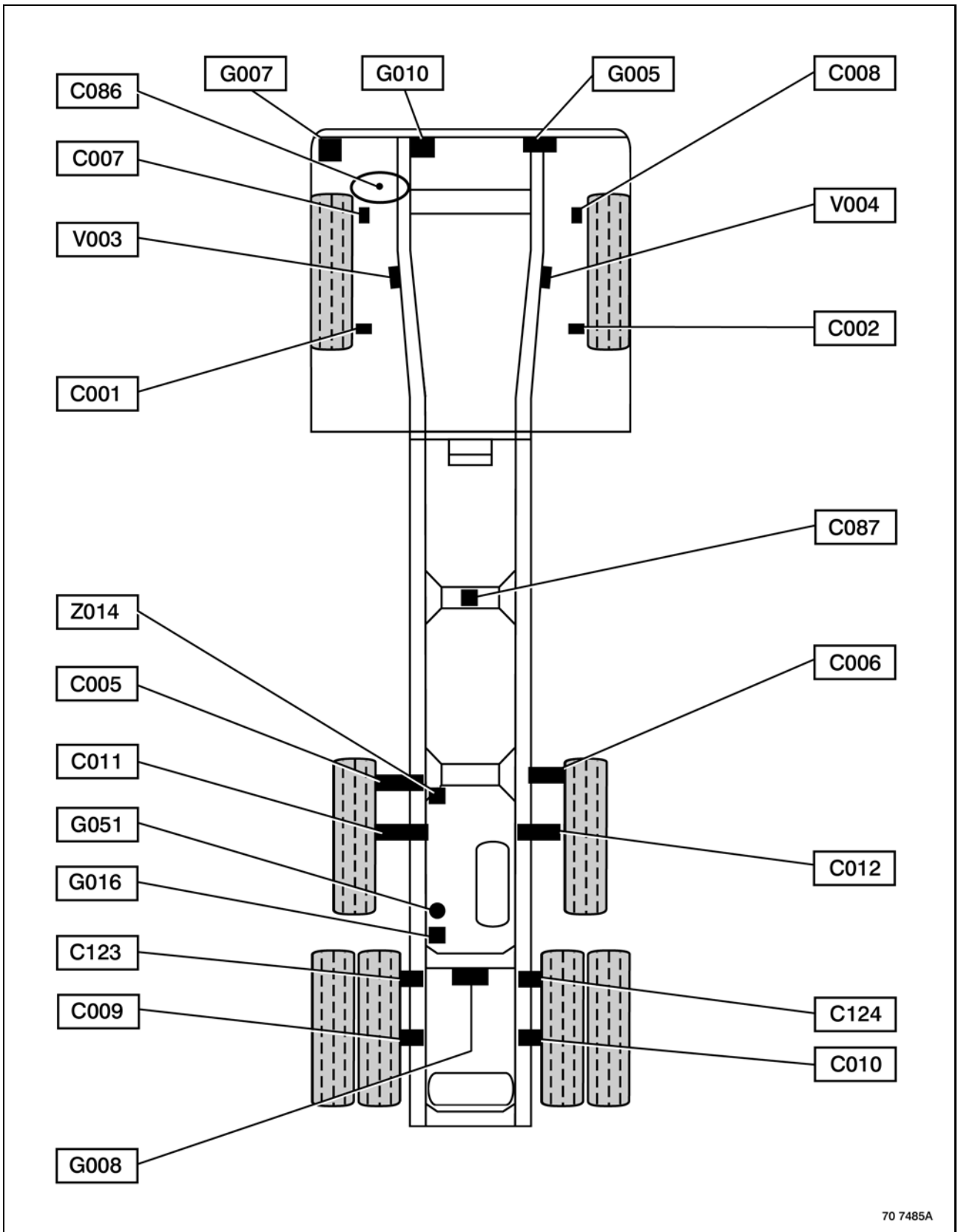
"EBS" "6 X 2" TAG equipment



**"EBS" "6 X 2" TAG equipment****Key to appliances**

Code	Function name	Location
<b>C001</b>	LH front wheel brake linings wear sensor	103
<b>C002</b>	RH front wheel brake linings wear sensor	103
<b>C005</b>	Lift-up axle or second rear axle LH wheel brake linings wear sensor	103
<b>C006</b>	Lift-up axle or second rear axle RH wheel brake linings wear sensor	103
<b>C007</b>	LH front wheel speed sensor	103
<b>C008</b>	RH front wheel speed sensor	103
<b>C009</b>	LH rear wheel speed sensor	103
<b>C010</b>	RH rear wheel speed sensor	103
<b>C011</b>	Lift-up axle or second rear axle LH wheel speed sensor	103
<b>C012</b>	Lift-up axle or second rear axle RH wheel speed sensor	103
<b>C086</b>	Steering lockover angle sensor	104
<b>C087</b>	Chassis lateral acceleration sensor	104
<b>C123</b>	LH rear wheel brake linings wear sensor (drive axle N° 1)	103
<b>C124</b>	RH rear wheel brake linings wear sensor (drive axle N° 1)	103
<b>G005</b>	EBS braking management ECU	102/103/104/ 105
<b>G007</b>	Front axle braking assistance modulator unit	103
<b>G008</b>	Drive axle braking assistance modulator unit	103
<b>G010</b>	Footbrake control modulator unit	-
<b>G016</b>	Second rear axle braking assistance modulator unit	103
<b>G051</b>	Air production management ECU	040
<b>V003</b>	LH roadwheel ABS electrovalve	103
<b>V004</b>	RH roadwheel ABS electrovalve	103
<b>Z014</b>	Trailer brake control EBS modulator unit	105

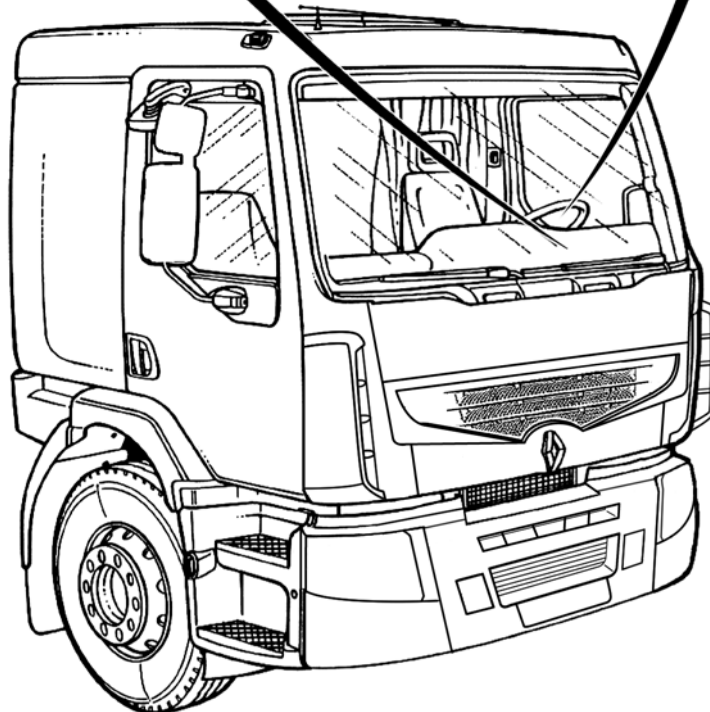
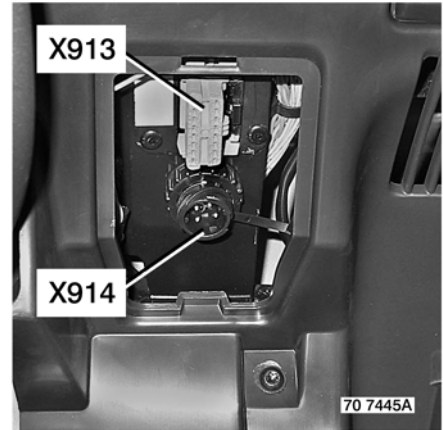
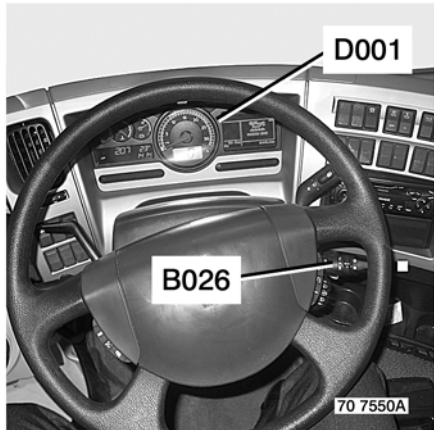
"EBS" "6 X 2" PUSHER equipment



**"EBS" "6 X 2" PUSHER equipment****Key to appliances**

Code	Function name	Location
<b>C001</b>	LH front wheel brake linings wear sensor	103
<b>C002</b>	RH front wheel brake linings wear sensor	103
<b>C005</b>	Lift-up axle or second rear axle LH wheel brake linings wear sensor	103
<b>C006</b>	Lift-up axle or second rear axle RH wheel brake linings wear sensor	103
<b>C007</b>	LH front wheel speed sensor	103
<b>C008</b>	RH front wheel speed sensor	103
<b>C009</b>	LH rear wheel speed sensor	103
<b>C010</b>	RH rear wheel speed sensor	103
<b>C011</b>	Lift-up axle or second rear axle LH wheel speed sensor	103
<b>C012</b>	Lift-up axle or second rear axle RH wheel speed sensor	103
<b>C086</b>	Steering lockover angle sensor	104
<b>C087</b>	Chassis lateral acceleration sensor	104
<b>C123</b>	LH rear wheel brake linings wear sensor (drive axle N° 1)	103
<b>C124</b>	RH rear wheel brake linings wear sensor (drive axle N° 1)	103
<b>G005</b>	EBS braking management ECU	102/103/104/ 105
<b>G007</b>	Front axle braking assistance modulator unit	103
<b>G008</b>	Drive axle braking assistance modulator unit	103
<b>G010</b>	Footbrake control modulator unit	-
<b>G016</b>	Second rear axle braking assistance modulator unit	103
<b>G051</b>	Air production management ECU	040
<b>V003</b>	LH roadwheel ABS electrovalve	103
<b>V004</b>	RH roadwheel ABS electrovalve	103
<b>Z014</b>	Trailer brake control EBS modulator unit	105

Automatic transmission



70 7551A

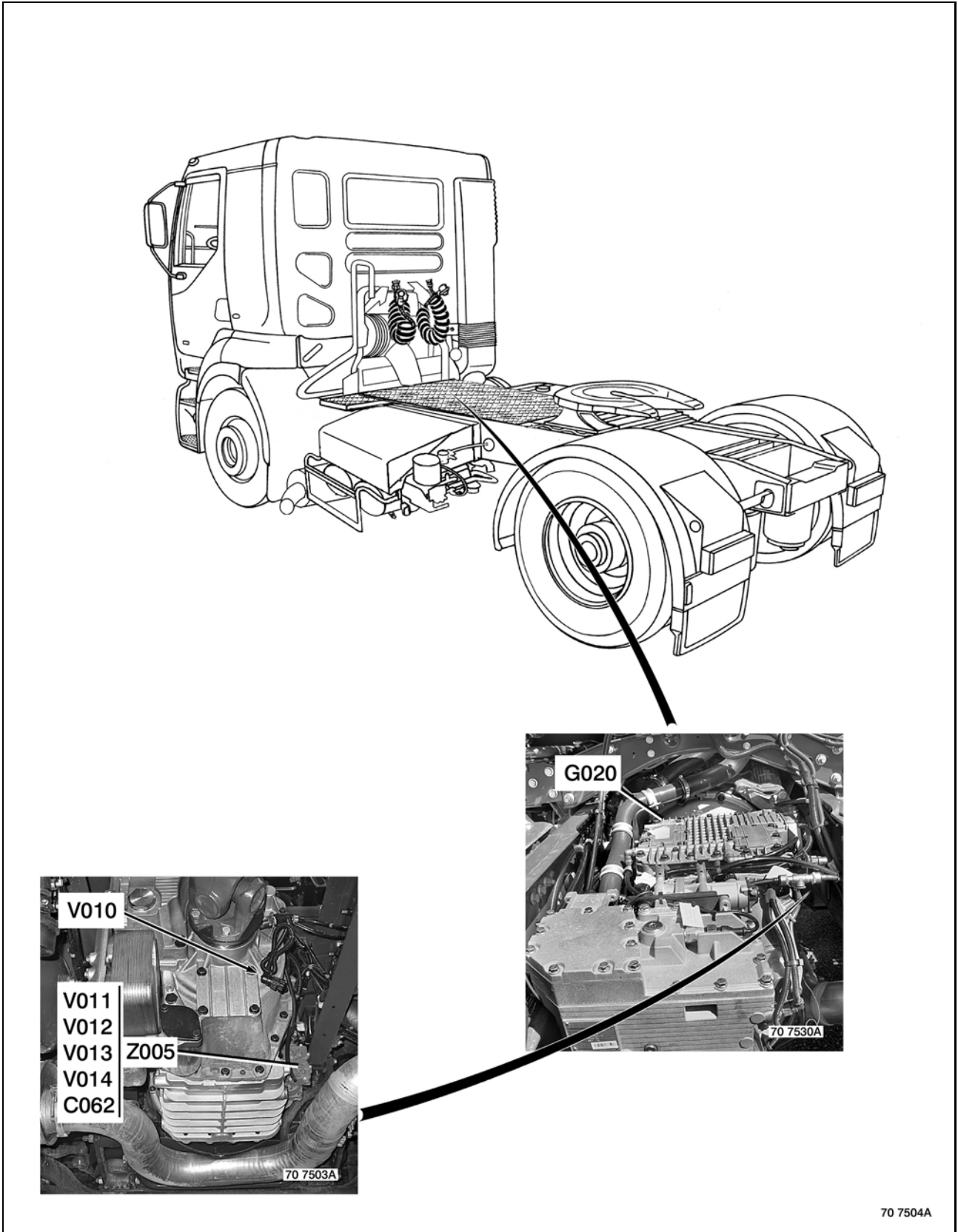


## Automatic transmission

### Key to appliances

Code	Function name	Location
<b>B026</b>	Automatic transmission gear selector	120
<b>D001</b>	Principal information display	850/851
<b>X913</b>	Vehicle diagnostic socket	805
<b>X914</b>	Vehicle data extraction socket	805

Automatic transmission



## Automatic transmission

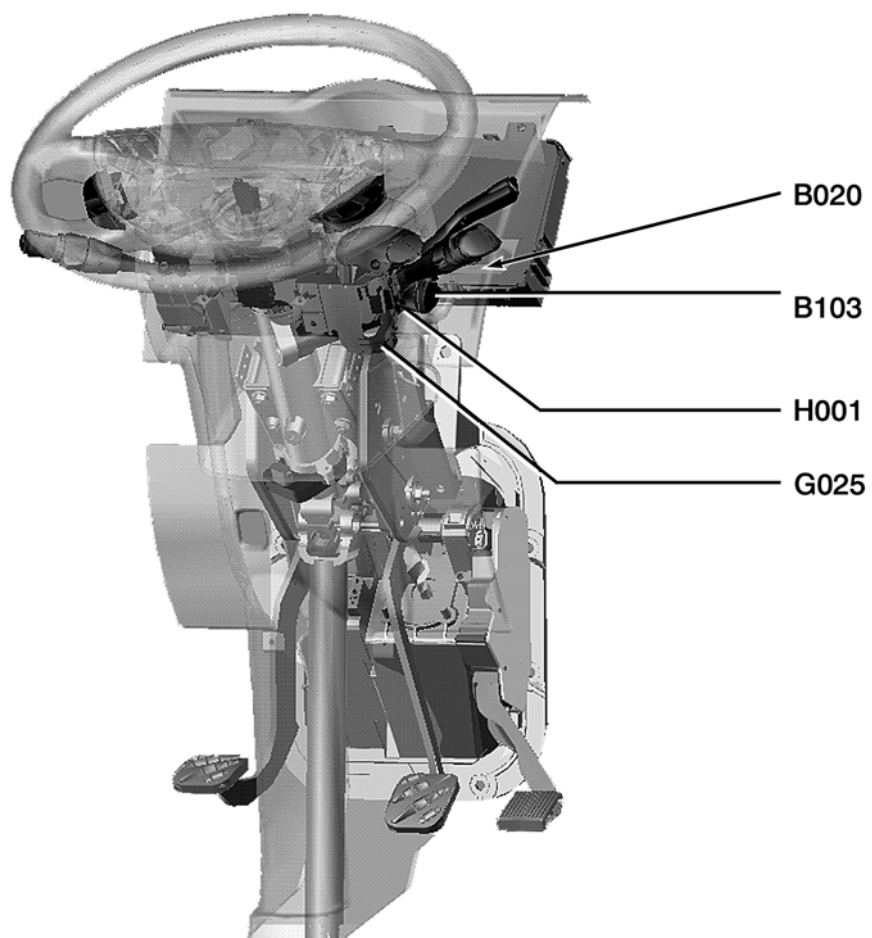
### Key to appliances

Code	Function name	Location
<b>C062</b>	Clutch position sensor	120
<b>G020</b>	Automatic transmission ECU	120
<b>V010</b>	PTO engagement electrovalve N° 1	120
<b>V011</b>	High speed disengagement electrovalve	120
<b>V012</b>	High speed engagement electrovalve	120
<b>V013</b>	Low speed engagement electrovalve	120
<b>V014</b>	Low speed disengagement electrovalve	120
<b>Z005</b>	Automatic transmission unit	120

Electronic anti-theft



D017



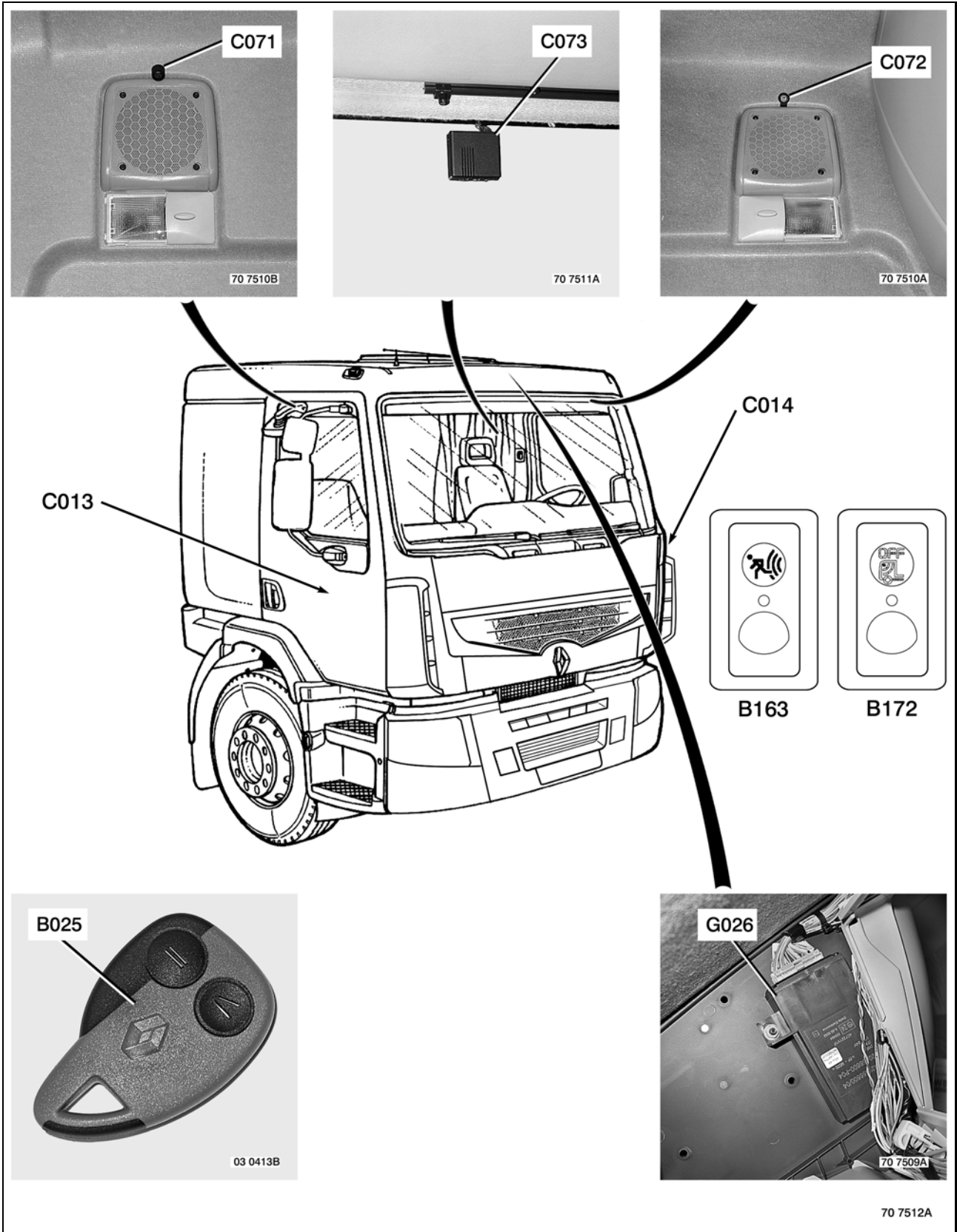
70 7502A

## Electronic anti-theft

### Key to appliances

Code	Function name	Location
<b>B020</b>	Transponder key	-
<b>B103</b>	Key switch unit	010/012
<b>D017</b>	Electronic anti-theft "informationInformation" warning light	-
<b>G025</b>	Engine immobilizer ECU	750
<b>H001</b>	Engine immobilizer antenna	750

Alarm

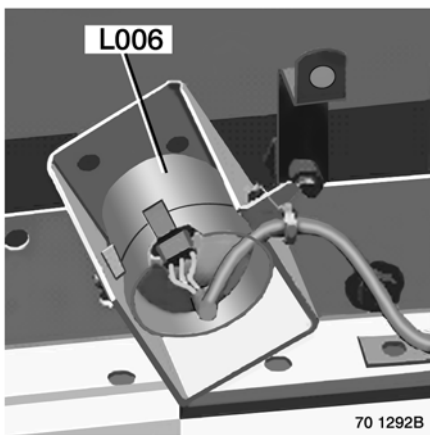
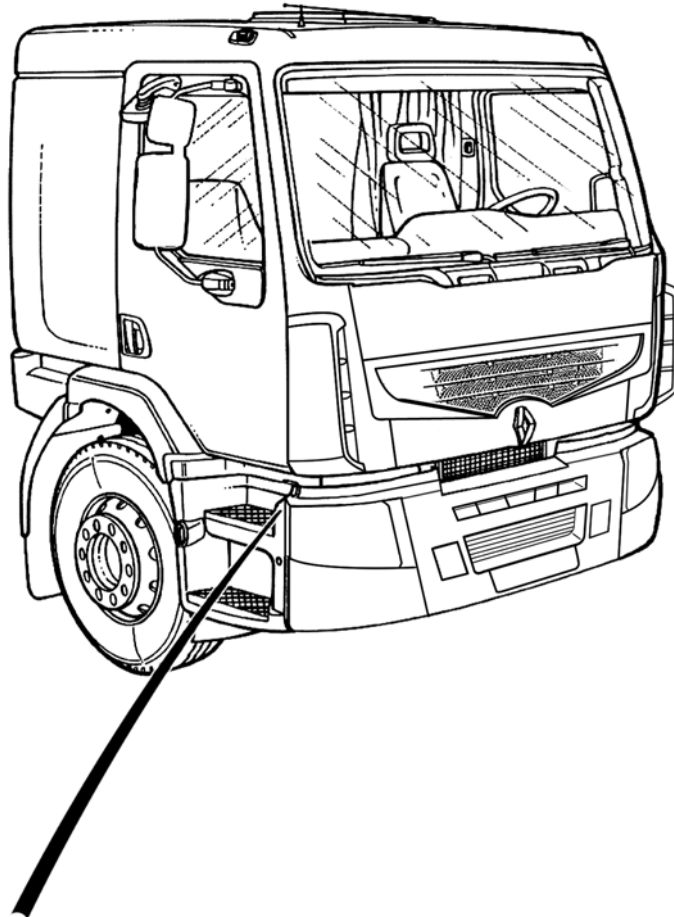


## Alarm

### Key to appliances

Code	Function name	Location
<b>B025</b>	Doors central locking transmitter and alarm activation remote control	-
<b>B163</b>	Alarm anti-panic control	702
<b>B172</b>	Alarm siren sound level reduction control	702
<b>C013</b>	Driver's door open position information sensor	702
<b>C014</b>	Passenger's front door open position information sensor	702
<b>C071</b>	Alarm ultra-sonic transmitter sensor	702
<b>C072</b>	Alarm ultra-sonic receiver sensor	702
<b>C073</b>	Road rig monitoring module	-
<b>G026</b>	Alarm ECU	702

Alarm



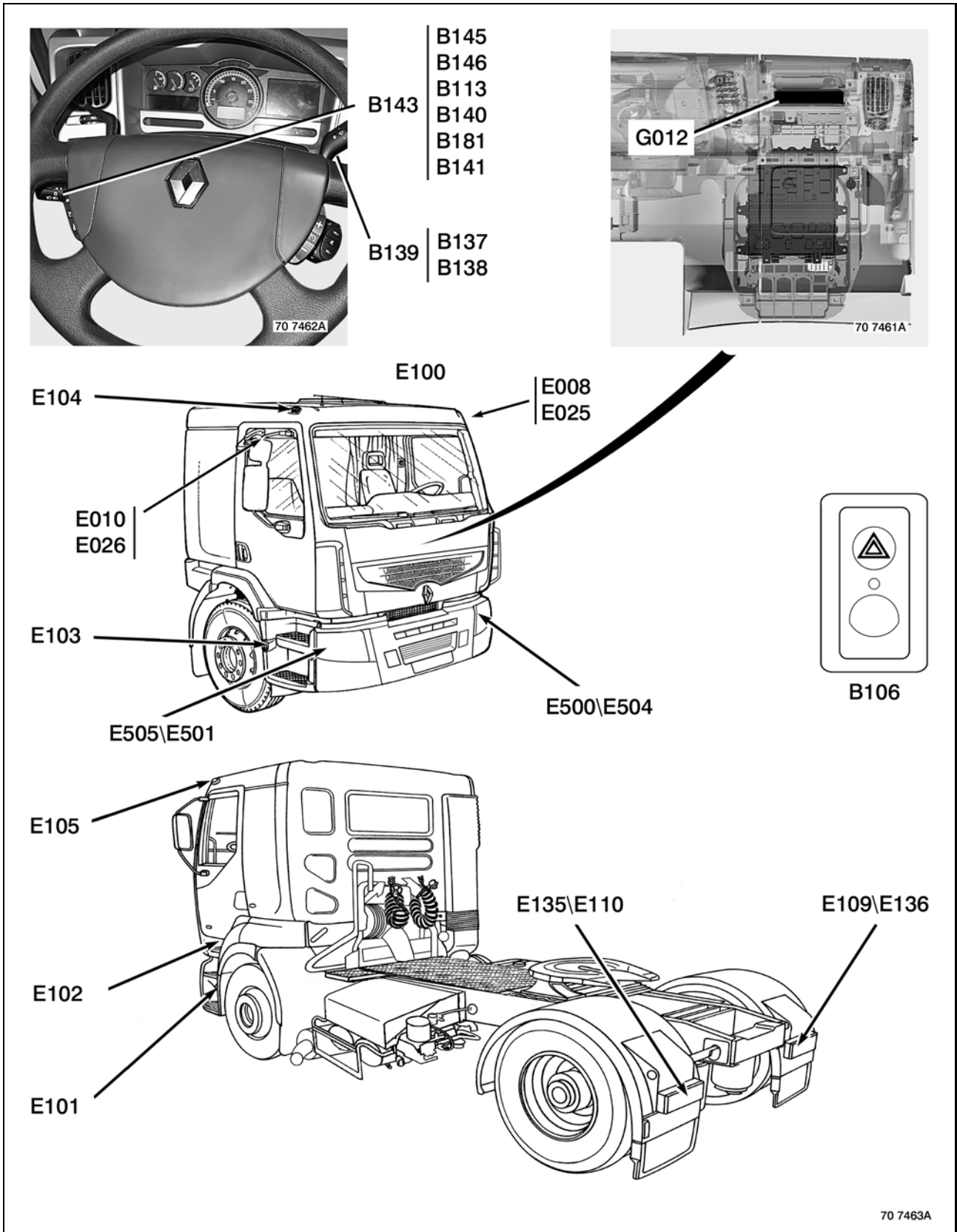
70 7513A



**Alarm****Key to appliances**

Code	Function name	Location
<b>L006</b>	Alarm siren	702

### Lighting and signalling management

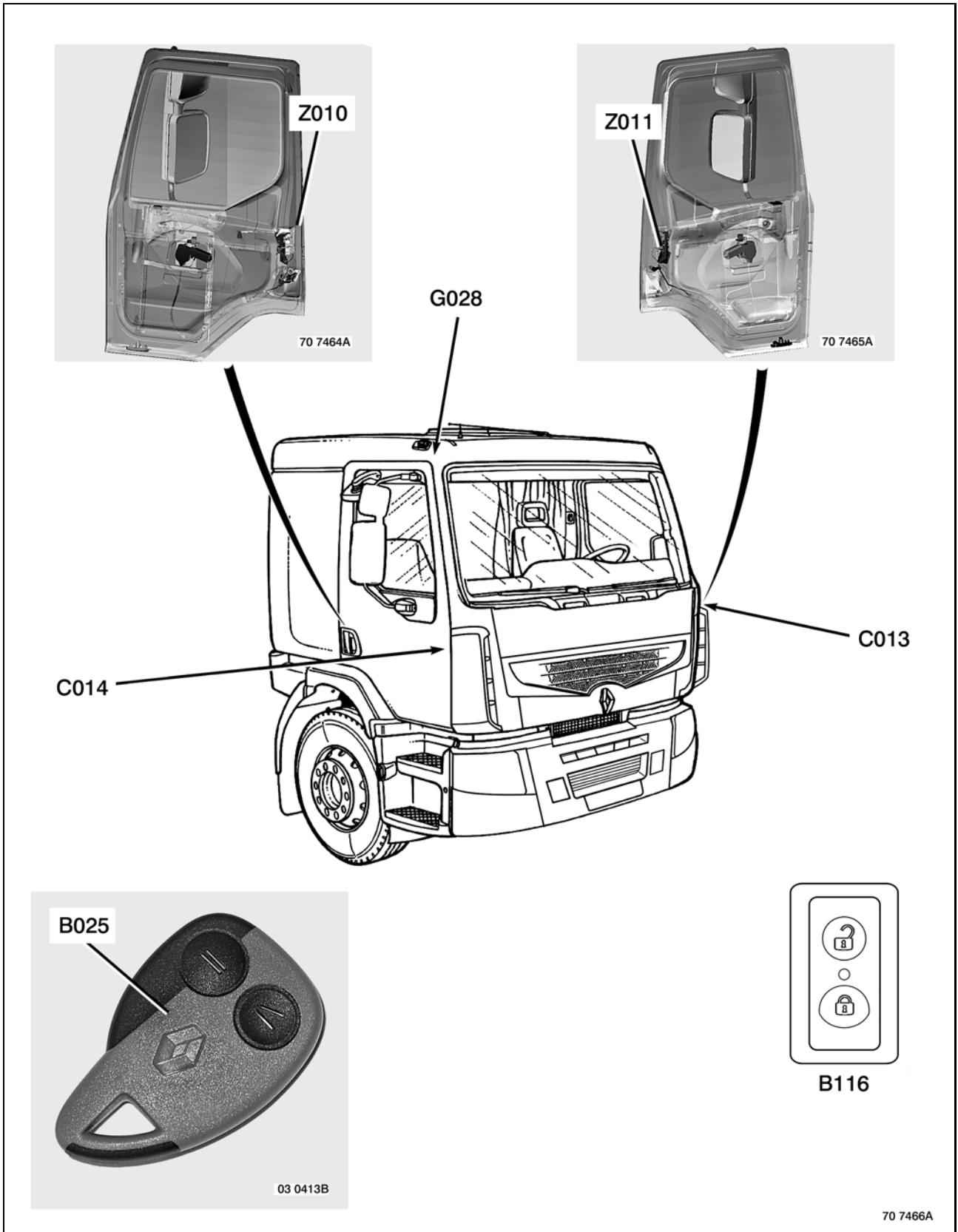


## Lighting and signalling management

### Key to appliances

Code	Function name	Location
<b>B106</b>	Hazard lights control	050
<b>B113</b>	Side/parking lights control	020
<b>B137</b>	Windscreen wash control	052
<b>B138</b>	Windscreen wipers control	052
<b>B139</b>	Windscreen / headlamps wash/wipe control	052
<b>B140</b>	Dipped beam headlights control	050
<b>B141</b>	Main beam headlights control	032
<b>B143</b>	Steering wheel fingertip controls N° 1	032/050
<b>B145</b>	Fog driving lights control	032
<b>B146</b>	Fog lights control	032
<b>B181</b>	Direction indicator control	050
<b>E008</b>	Driver's side single overhead light	069
<b>E010</b>	Front passenger's side single overhead light	069
<b>E025</b>	Driver's reading spotlight	069
<b>E026</b>	Front passenger's reading spotlight	069
<b>E100</b>	RH front direction change indicator lights	057
<b>E101</b>	LH front direction change indicator lights	057
<b>E102</b>	Driver's side stepwell lighting	069
<b>E103</b>	Front passenger's side stepwell lighting	069
<b>E104</b>	Roof RH front direction change indicator lights	053
<b>E105</b>	Roof LH front direction change indicator lights	053
<b>E109</b>	RH rear direction change indicator lights	055
<b>E110</b>	LH rear direction change indicator lights	055
<b>E135</b>	LH tail lights unit	055
<b>E136</b>	RH tail lights unit	055
<b>E500</b>	RH dipped beam headlight	057
<b>E501</b>	LH dipped beam headlight	057
<b>E504</b>	RH headlamp insert	057
<b>E505</b>	LH headlamp insert	057
<b>G012</b>	Lighting and signalling management ECU	050

# Doors management

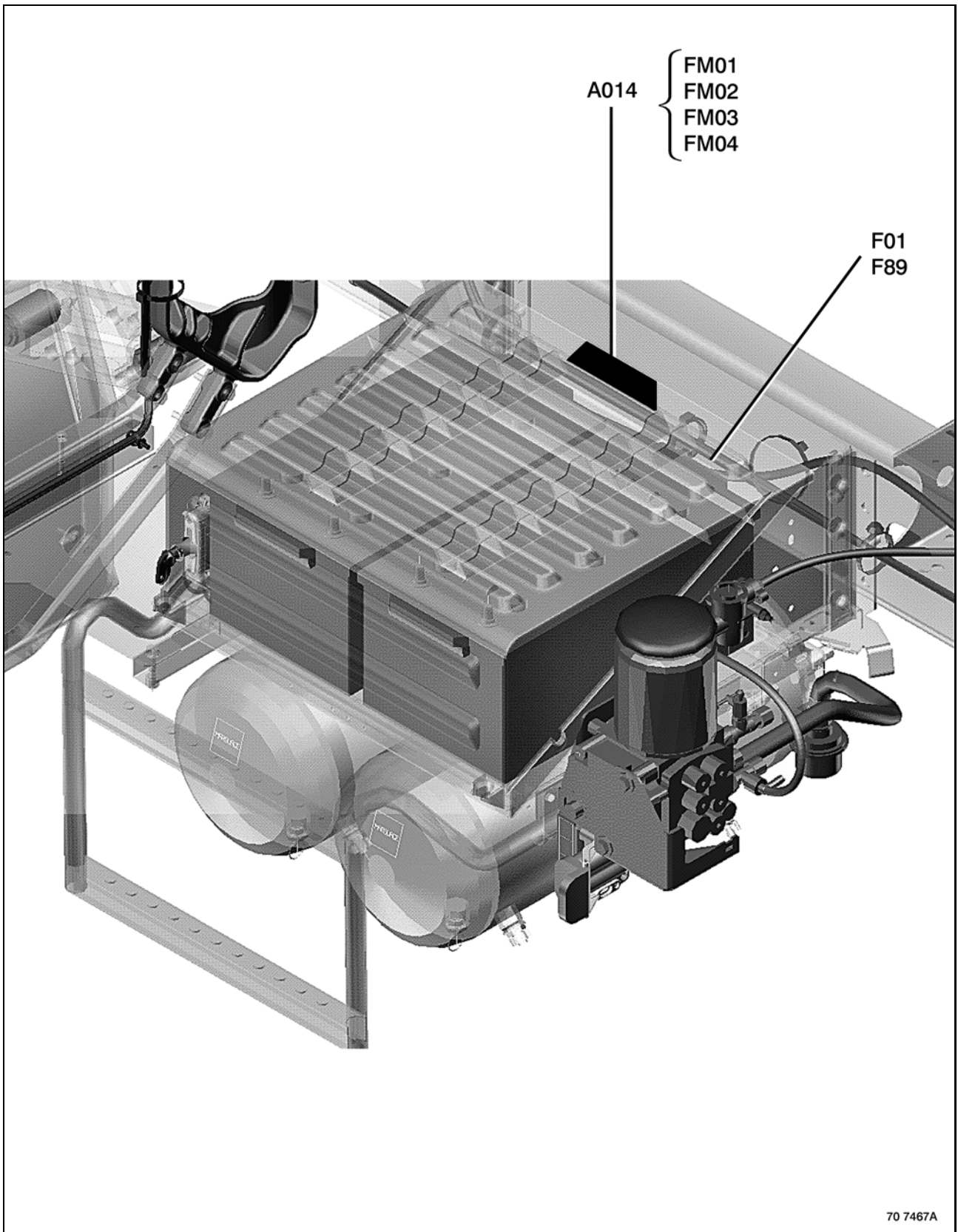


## Doors management

### Key to appliances

Code	Function name	Location
<b>B025</b>	Doors central locking transmitter and alarm activation remote control	-
<b>B116</b>	Doors locking control	750
<b>C013</b>	Driver's door open position information sensor	702
<b>C014</b>	Passenger's front door open position information sensor	702
<b>G028</b>	Doors central locking ECU	750
<b>Z010</b>	Front passenger's door locking striker unit	750
<b>Z011</b>	Driver's door locking striker unit	750

Fuse(s) outside distribution box



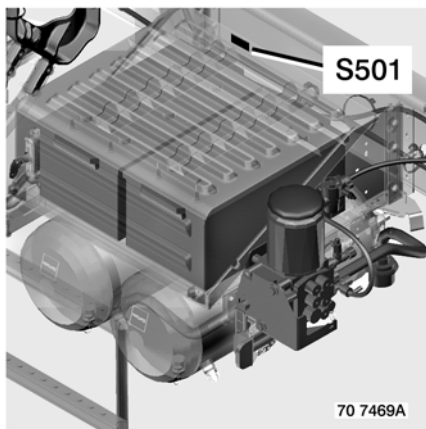
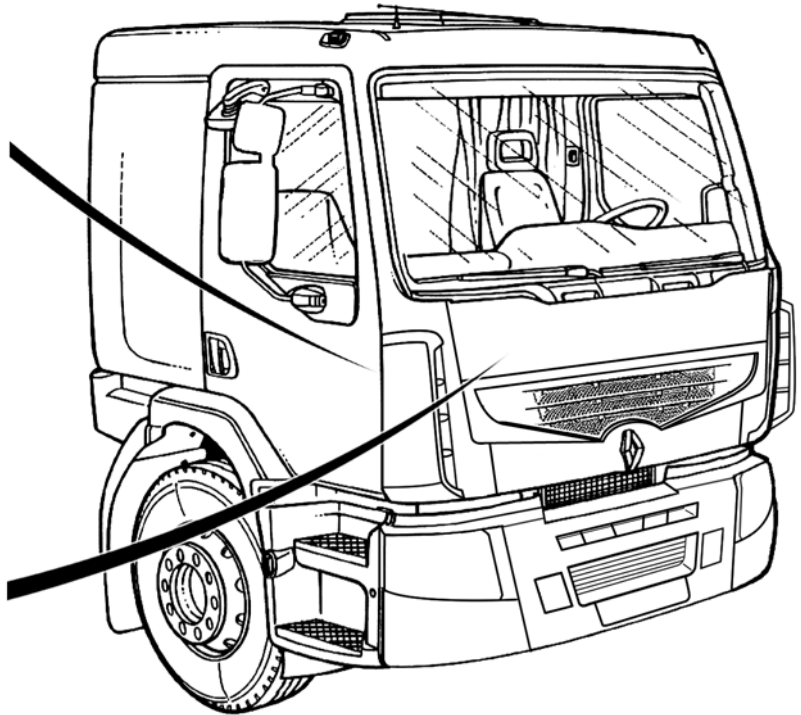
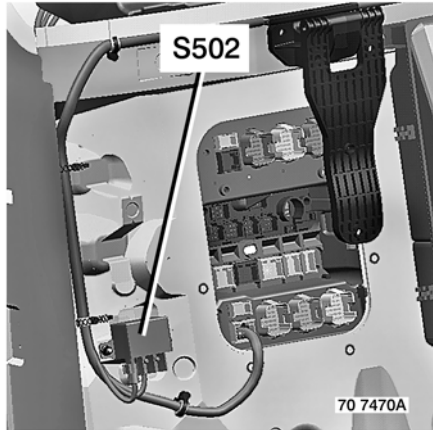
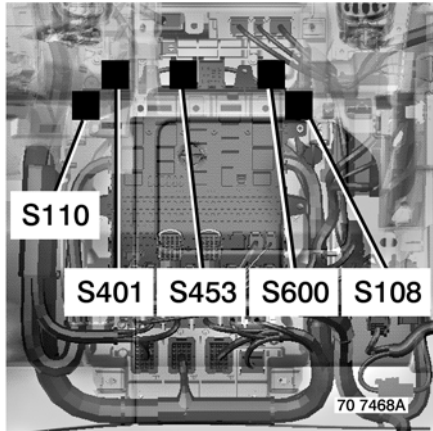
70 7467A

## Fuse(s) outside distribution box

### Key to appliances

Code	Function name	Folio (code)	Fuse	Amperage	Folio (fuse)
<b>D001</b>	Principal information display	851	F01	25	010/012
<b>G012</b>	Lighting and signalling management ECU	050	F01	25	010/012
<b>G026</b>	Alarm ECU	702	F01	25	010/012
<b>G028</b>	Doors central locking ECU	750	F01	25	010/012
<b>H014</b>	Radio set	075	F01	25	010/012
<b>K001</b>	Air/water add-on heater	092	F01	25	010/012
<b>K002</b>	Air/air add-on heater	090/094	F01	25	010/012
<b>D001</b>	Principal information display	851	F89	01	800
<b>D004</b>	Tachograph	800	F89	01/05	800
<b>N004</b>	Air preheating resistor	612	FM01	125	010/012
<b>D021</b>	Fuel preheating warning light	851	FM01	125	010/012
<b>G002</b>	Engine management ECU	612	FM01	125	010/012
<b>A205</b>	Available power supply (after ignition)	901	FM02	200	010/012
<b>X907</b>	Ground receptacle	010	FM02	200	010/012
<b>O001</b>	24 V positive (+) after master switch	-	FM03	125	010/012
<b>N010</b>	Windscreen defrosting resistor	064	FM04	40	010/012
<b>A014</b>	Power fuse box unit (FM1 to FM4)				

Relay outside distribution box



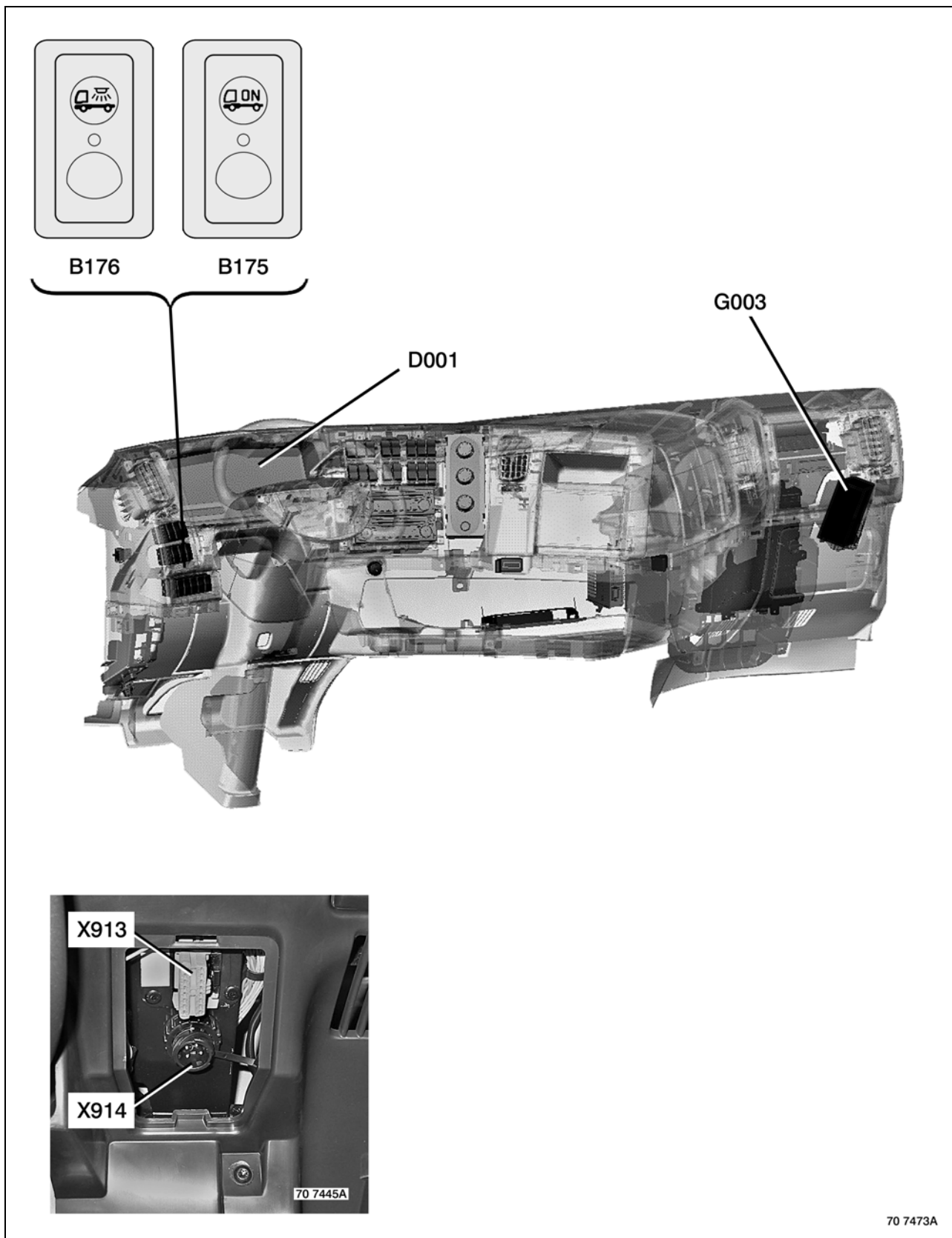
70 7471A



**Relay outside distribution box****Key to appliances**

<b>Code</b>	<b>Function name</b>	<b>Relay ref.</b>	<b>Amperage</b>	<b>Location</b>	<b>Folio</b>
<b>S401</b>	Headlamps wash pump motor power supply relay	RE01	20	B2b	052
<b>S600</b>	Cab tilting motor power supply relay	RE02	50	B2b	604
<b>S501</b>	Air preheating relay	RE03	50	C4d	612
<b>S108</b>	Revolving beacons power supply relay	RE04	20	A2c	059
<b>S502</b>	Windscreen defrosting control relay	RE05	50	A1c	064
<b>S453</b>	Add-on heater power supply relay	R10	10	A2c	092
<b>S110</b>	Fog lights cut-off relay if main beam headlights on	RE08	10	A2c	032

Bodybuilders' equipment and prearrangements

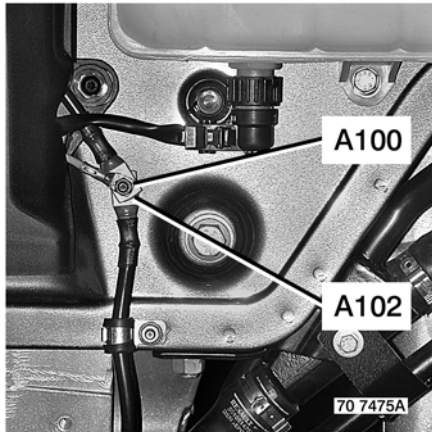
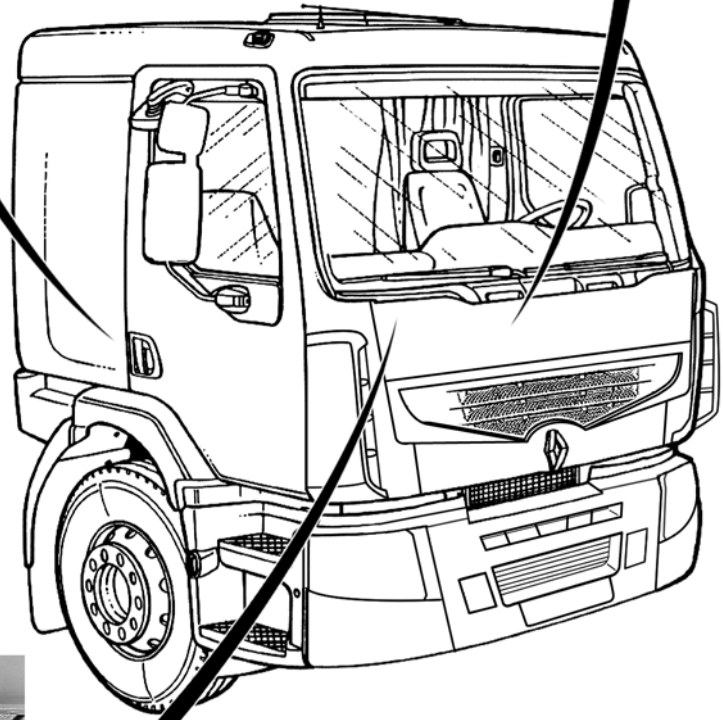
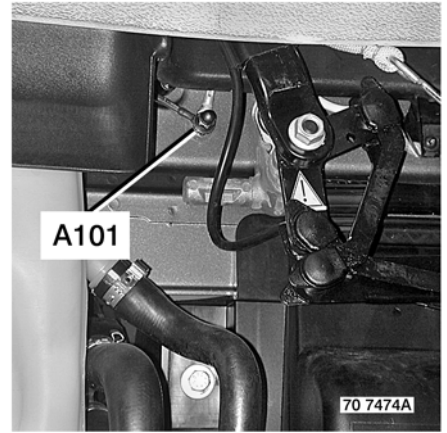
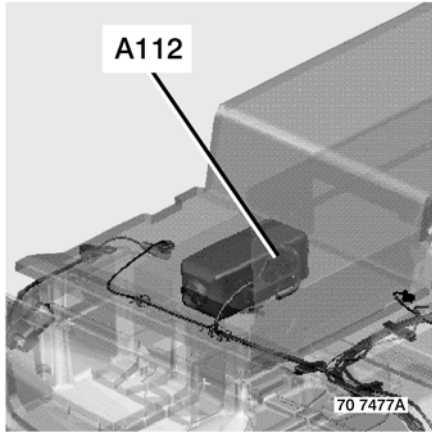


**Bodybuilders' equipment and prearrangements****Key to appliances**

<b>Code</b>	<b>Function name</b>	<b>Location</b>
<b>B175</b>	Pre-arrangement for bodybuilder N° 1 control	-
<b>B176</b>	Pre-arrangement for bodybuilder N° 2 control	-
<b>D001</b>	Principal information display	850/851
<b>G003</b>	Bodybuilder pre-arrangement management ECU	605
<b>X913</b>	Vehicle diagnostic socket	805
<b>X914</b>	Vehicle data extraction socket	805

### Earths (1/2)

Layout for a vehicle with engine dXi11



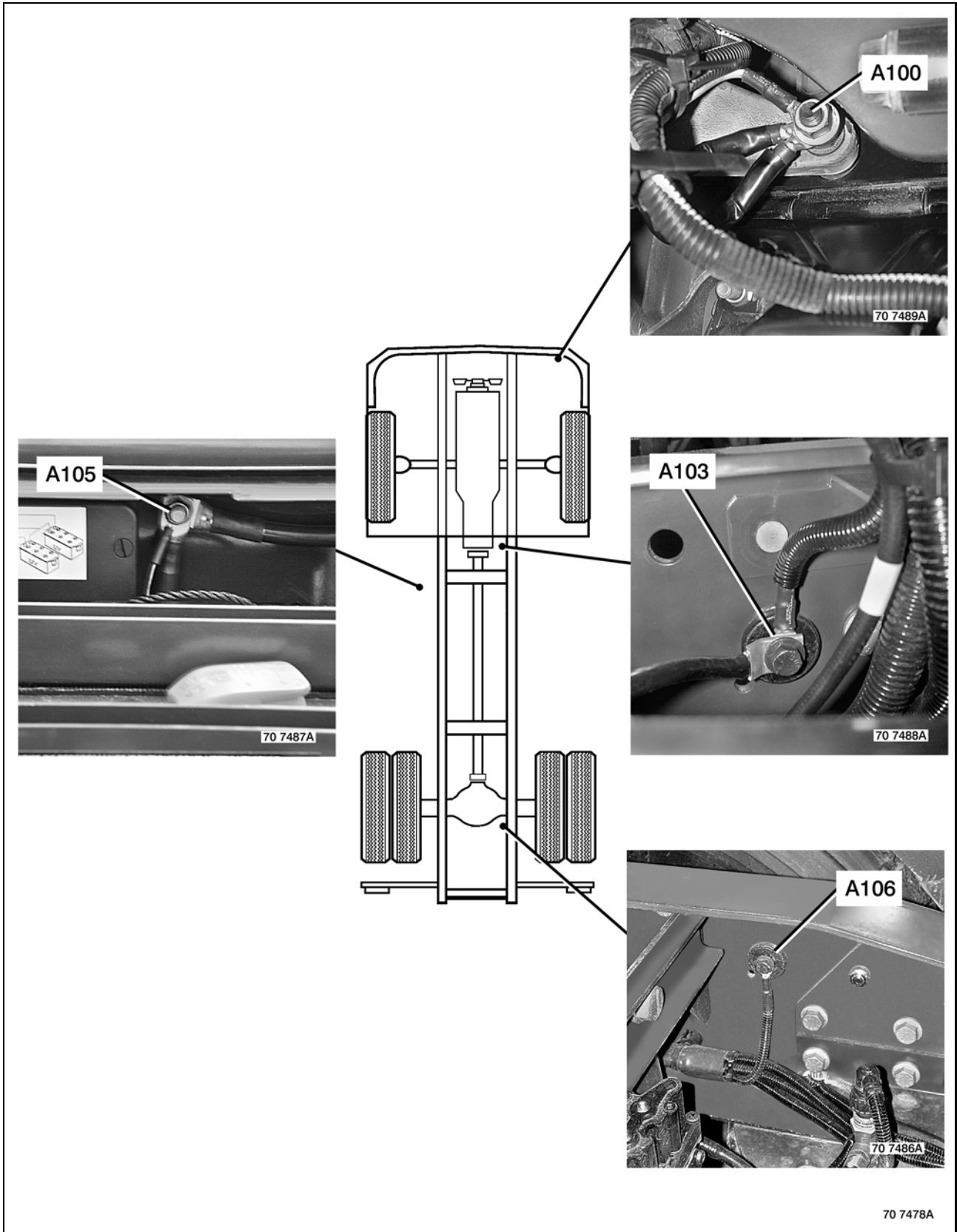
70 7476A

**Earths (1/2)****Layout for a vehicle with engine dXi11****Key to appliances**

<b>Code</b>	<b>Function name</b>	<b>Location</b>
<b>A100</b>	Cab / chassis and cab link earth	-
<b>A101</b>	Cab / windscreen link earth	-
<b>A102</b>	Cab earth	-
<b>A112</b>	Cab / independent heater link earth	-

### Earths (2/2)

Layout for a vehicle with engine dXi11



**Earths (2/2)****Layout for a vehicle with engine dXi11****Key to appliances**

<b>Code</b>	<b>Function name</b>	<b>Location</b>
<b>A100</b>	Cab / chassis and cab link earth	-
<b>A103</b>	Chassis engine starter link earth	-
<b>A105</b>	Chassis / battery tray earth link earth	-
<b>A106</b>	Chassis earth	-

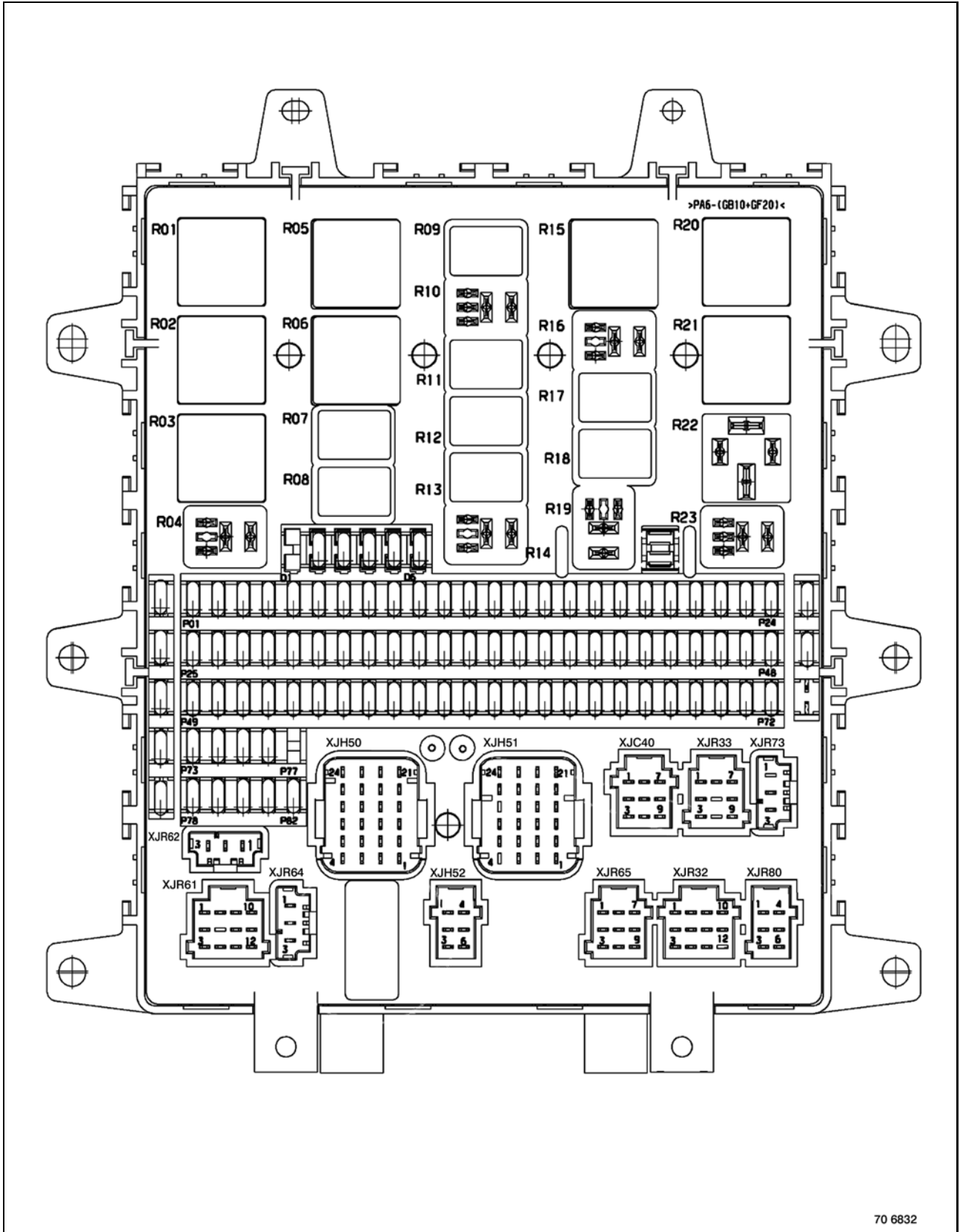




**ELECTRICAL DISTRIBUTION**

### Distribution box

### Table of fuses on electrical distribution box



70 6832

	F16	F67	F28	F34	F68
	F23	F24	F48	F03	F08
	F39	F106	F19	F29	F26
	F11	F64	F93	F10	F70
	F59	F06	F94	F108	
	F58	F36	F20		
	F97	F105	F92		
	F76	F75	F91		
	F96	F103	F31		
	F25	F43	F21		
	F52	F05	F107		
	F90	F72	F32		
	F104	F17	F46		
	F18	F13	F102		
	F101	F71	F37		
	F49	F61	F66		
	F30	F35	F63		
	F07	F02	F27		
	F09	F41	F55		
	F04	F40	F47		
	F100	F14	F77		
	F57	F42	F15		
	F51	F12	F54		
	F38	F22	F33		

70 6834

### Table of fuses on electrical distribution box

Code	Function name	Folio (code)	Fuse	Amperage	Folio (fuse)
S300	Cab tilting safety and authorization relay	604	F03	7.5	022
S600	Cab tilting motor power supply relay	604	F03	7.5	022
D001	Principal information display	851	F04	05	851
M022	Headlamps wash pump motor	052	F05	30	052
D001	Principal information display	851	F06	05	030
D004	Tachograph	800	F07	05	028
G001	Vehicle management ECU	602	F07	05	028
D001	Principal information display	851	F08	05	024
G025	Engine immobilizer ECU	750	F08	05	024
G026	Alarm ECU	702	F08	05	024
G028	Doors central locking ECU	750	F08	05	024
G051	Air production management ECU	040	F08	05	024
G003	Bodybuilder pre-arrangement management ECU	605	F09	05	028
K003	Air conditioning ECU	079	F10	30	022
G021	Hydraulic retarder ECU	204	F11	10	024
G019	Gear selector ECU	120	F12	15	120/122
G020	Automatic transmission ECU	120/122	F12	15	120/122
G012	Lighting and signalling management ECU	050	F13	20	024
M020	Windscreen wipers drive motor	052	F13	20	024
M021	Windscreen wash pump motor	052	F13	20	024
S400	Windscreen wipers motor time-delay relay	024	F13	20	024
J001	Cigar lighter	074	F14	15	028
X913	Vehicle diagnostic socket	805	F15	05	805
X914	Vehicle data extraction socket	805	F15	05	805
B189	Selection control	100	F16	10	026
D067	Inter-wheel diff. lock warning light	850	F16	10	026
G003	Bodybuilder pre-arrangement management ECU	605	F16	10	026
G005	EBS braking management ECU	102	F16	10	026

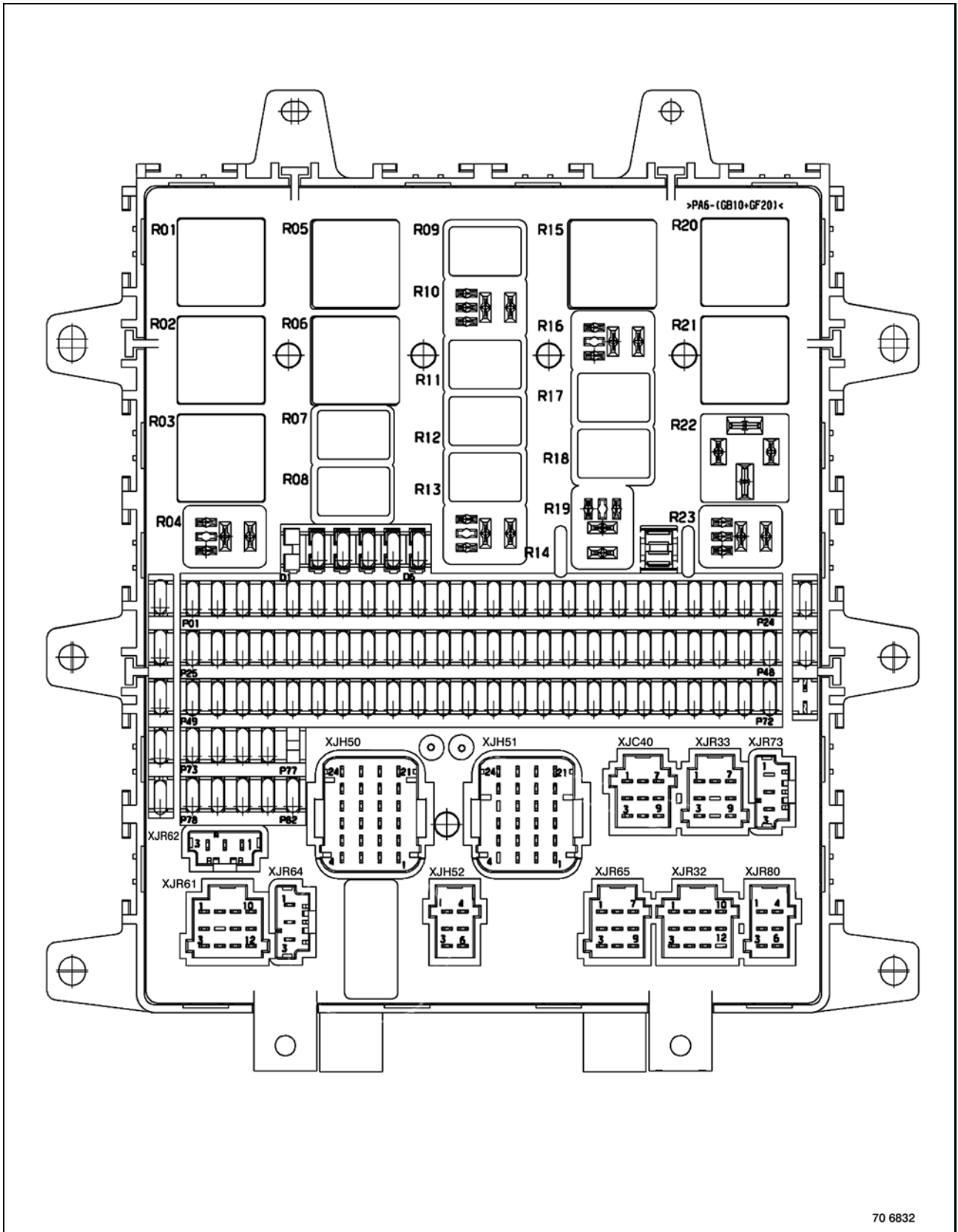
<b>V002</b>	Rear wheels diff. lock electrovalve	100	F16	10	026
<b>V010</b>	PTO engagement electrovalve N° 1	604	F16	10	026
<b>V018</b>	PTO engagement electrovalve N° 2	605	F16	10	026
<b>V023</b>	VTC engine brake electrovalve	100	F16	10	026
<b>V025</b>	"Low speed" selection control electrovalve	100	F16	10	026
<b>V026</b>	Transfer box diff. lock control solenoid valve	100	F16	10	026
<b>V027</b>	Transfer box neutral engagement control	605	F16	10	026
<b>V040</b>	PTO N° ° 3 engagement electrovalve	605	F16	10	026
<b>E502</b>	RH main beam headlight	057	F17	10	032
<b>L008</b>	Electric horn	059	F18	10	059
<b>V107</b>	Air horn	059	F18	10	059
<b>K003</b>	Air conditioning ECU	079	F19	05	022
<b>H014</b>	Radio set	075	F20	10	030
<b>G026</b>	Alarm ECU	702	F20	10	030
<b>G028</b>	Doors central locking ECU	750	F20	10	030
<b>X906</b>	ABS/EBS trailer socket	105	F21	20	105
<b>E008</b>	Driver's side single overhead light	069	F22	10	069
<b>E010</b>	Front passenger's side single overhead light	069	F22	10	069
<b>E012</b>	RH upper overhead lighting (door)	070	F22	10	069
<b>E025</b>	Driver's reading spotlight	069	F22	10	069
<b>E026</b>	Front passenger's reading spotlight	069	F22	10	069
<b>E032</b>	Bottom bunk overhead lighting	070	F22	10	069
<b>E033</b>	LH upper overhead lighting (door)	070	F22	10	069
<b>E034</b>	LH overhead lighting (ambience)	070	F22	10	069
<b>E035</b>	RH overhead lighting (ambience)	070	F22	10	069
<b>E036</b>	Top bunk overhead lighting	070	F22	10	069
<b>E102</b>	Driver's side stepwell lighting	069	F22	10	069
<b>E103</b>	Front passenger's side stepwell lighting	069	F22	10	069
<b>C121</b>	Piloted axle lockover angle sensor	110	F23	05	026
<b>C122</b>	Piloted axle lockover angle sensor	110	F23	05	026
<b>G004</b>	Air suspension ECU	150/152/ 154	F23	05	026
<b>G027</b>	Piloted axle ECU	110	F23	05	026
<b>N001</b>	Fuel heater resistor N° 2	612	F24	20	026
<b>A230</b>	Available power supply (equipment in road position warning light)	901	F25	10	901
<b>A240</b>	Available power supply (lighting)	901	F25	10	901
<b>D077</b>	Equipment in unlocked position warning light	850	F25	10	901
<b>D084</b>	Equipment lighting information tell-tale light	850	F25	10	901
<b>X900</b>	15-pin trailer socket	890	F25	10	901
<b>A205</b>	Available power supply (after ignition)	900	F26	15	024
<b>M056</b>	Driver's door window winder motor	060	F27	20	028
<b>M057</b>	Front passenger's door window winder motor	060	F27	20	028
<b>G005</b>	EBS braking management ECU	102	F28	20	102
<b>B026</b>	Automatic transmission gear selector	122	F29	10	022
<b>G018</b>	FMS - GATEWAY management ECU	940/941	F29	10	022
<b>G012</b>	Lighting and signalling management ECU	050	F30	30	050
<b>D001</b>	Principal information display	851	F31	20	079
<b>K002</b>	Air/air add-on heater	090/094	F31	20	079

<b>K003</b>	Air conditioning ECU	079	F31	20	079
<b>A204</b>	Available power supply (after master switch)	901	F32	10	901
<b>M102</b>	Cab tilting motor	604	F33	30	604
<b>G018</b>	FMS - GATEWAY management ECU	940/941	F34	03	940/941
<b>G012</b>	Lighting and signalling management ECU	050	F36	10	030
<b>A013</b>	Voltage converter (24 / 12V - 15A) for audio communication system	075	F37	10	028
<b>H014</b>	Radio set	075	F37	10	028
<b>D045</b>	Extra signalling lights warning light	851	F38	10	059
<b>E510</b>	Working spotlight	059	F38	10	059
<b>G001</b>	Vehicle management ECU	602	F39	15	024
<b>N008</b>	LH defrosting rearview mirror resistor	064	F39	15	024
<b>N009</b>	RH defrosting rearview mirror resistor	064	F39	15	024
<b>S500</b>	Heated and swivelling rearview mirror power supply relay	024	F39	15	024
<b>S502</b>	Windscreen defrosting control relay	064	F39	15	024
<b>G002</b>	Engine management ECU	612	F40	30	028
<b>M002</b>	Starter	010/012	F40	30	028
<b>S020</b>	Starting relay	028	F40	30	028
<b>S501</b>	Air preheating relay	612	F40	30	028
<b>V021</b>	Engine brake N° 1 solenoid valve	612	F40	30	028
<b>V023</b>	VTC engine brake electrovalve	612	F40	30	028
<b>V052</b>	Range change electrovalve	612	F40	30	028
<b>V053</b>	Splitter control electrovalve	612	F40	30	028
<b>V108</b>	Air dryer bleeding solenoid valve	612	F40	30	028
<b>V109</b>	Engine cooling fan speed regulation solenoid valve	610	F40	30	028
<b>M002</b>	Starter	010/012	F41	15	028
<b>S020</b>	Starting relay	028	F41	15	028
<b>V021</b>	Engine brake N° 1 solenoid valve	612	F41	15	028
<b>V023</b>	VTC engine brake electrovalve	612	F41	15	028
<b>V052</b>	Range change electrovalve	612	F41	15	028
<b>V053</b>	Splitter control electrovalve	612	F41	15	028
<b>V108</b>	Air dryer bleeding solenoid valve	612	F41	15	028
<b>S501</b>	Air preheating relay	612	F42	10	028
<b>V109</b>	Engine cooling fan speed regulation solenoid valve	610	F42	10	028
<b>X902</b>	24 Volts power supply socket	074	F43	15	074
<b>X915</b>	Automatic gearbox diagnostic socket	122	F43	15	074
<b>E114</b>	Revolving beacon N° 1	059	F46	15	059
<b>E115</b>	Revolving beacon N° 2	059	F46	15	059
<b>S108</b>	Revolving beacons power supply relay	059	F46	15	059
<b>G051</b>	Air production management ECU	040	F47	7,5	040
<b>B186</b>	Brake holding enabling control	104	F48	03	022
<b>G005</b>	EBS braking management ECU	102	F48	03	022
<b>G004</b>	Air suspension ECU	150/152/ 154	F49	05	030
<b>G006</b>	Vehicle power supply management ECU (ADR)	015	F49	05	030
<b>G027</b>	Piloted axle ECU	110	F51	05	110
<b>B026</b>	Automatic transmission gear selector	122	F52	10	010/012
<b>B170</b>	Cab emergency stop control	015	F52	10	010/012

<b>G001</b>	Vehicle management ECU	602	F52	10	010/012
<b>G025</b>	Engine immobilizer ECU	750	F52	10	010/012
<b>S001</b>	After ignition power supply relay N° 1	022	F52	10	010/012
<b>S002</b>	After ignition power supply relay N° 2	024	F52	10	010/012
<b>S003</b>	After ignition power supply relay N° 3	026	F52	10	010/012
<b>S004</b>	Accessories power supply relay N° 1	028	F52	10	010/012
<b>S005</b>	Accessories power supply relay N° 2	028	F52	10	010/012
<b>S021</b>	Alternator circuit earthing relay (ADR)	026	F52	10	010/012
<b>W100</b>	Alternator circuit draw resistor	022	F52	10	010/012
<b>X913</b>	Vehicle diagnostic socket	805	F52	10	010/012
<b>A303</b>	Pre-arrangement for onboard management (ECU)	940/941	F54	10	940/941
<b>G021</b>	Hydraulic retarder ECU	204	F57	10	204
<b>B170</b>	Cab emergency stop control	015	F58	03	026
<b>S021</b>	Alternator circuit earthing relay (ADR)	026	F58	03	026
<b>A303</b>	Pre-arrangement for onboard management (ECU)	940/941	F59	10	024
<b>B186</b>	Brake holding enabling control	104	F59	10	024
<b>S104</b>	Reversing lights power supply relay	024	F59	10	024
<b>A011</b>	Voltage converter (24 / 12V) for information technology pack	074	F61	15	028
<b>X902</b>	24 Volts power supply socket	074	F63	15	028
<b>X900</b>	15-pin trailer socket	890	F64	10	026
<b>E030</b>	Tool compartment light	070	F66	10	028
<b>E031</b>	Front grille lighting	070	F66	10	028
<b>M060</b>	Electric roof air vent motor	060	F66	10	028
<b>G019</b>	Gear selector ECU	120	F67	10	026
<b>G020</b>	Automatic transmission ECU	122	F67	10	026
<b>A012</b>	Voltage converter (24 / 12V - 10A) for audio communication system	075	F68	20	074
<b>A013</b>	Voltage converter (24 / 12V - 15A) for audio communication system	075	F68	20	074
<b>A020</b>	Voltage converter (24V / 12V) - 12 and 24 Volts integrated sockets	074	F68	20	074
<b>J006</b>	Refrigerated compartment	074	F68	20	074
<b>J007</b>	Refrigerator	074	F68	20	074
<b>X909</b>	Extra 24 Volts power supply socket	074	F68	20	074
<b>X906</b>	ABS/EBS trailer socket	105	F70	10	024
<b>A205</b>	Available power supply (after ignition)	900	F71	15	024
<b>D039</b>	Main beam headlights warning light	851	F72	10	032
<b>E503</b>	LH dipped beam headlight	057	F72	10	032
<b>A247</b>	Available power supply at alternator (engine running information)	900	F75	15	026
<b>J002</b>	RH heated seat unit	074	F75	15	026
<b>J003</b>	LH heated seat unit	074	F75	15	026
<b>D006</b>	Vehicle hour-meter	026	F76	10	026
<b>K002</b>	Air/air add-on heater	090/094	F76	10	026
<b>S021</b>	Alternator circuit earthing relay (ADR)	026	F76	10	026
<b>V001</b>	Air/water add-on heater solenoid valve	092	F76	10	026
<b>A204</b>	Available power supply (after master switch)	900	F77	15	900
<b>G012</b>	Lighting and signalling management ECU	050	F90	03	020
<b>S101</b>	Rear fog lights power supply relay	032	F90	03	020

<b>S102</b>	Main beam headlights power supply relay	032	F90	03	020
<b>S103</b>	Fog driving lights power supply relay	032	F90	03	020
<b>S106</b>	Switches night lighting power supply relay	020	F90	03	020
<b>E122</b>	RH clearance light N° 1	053	F91	10	030
<b>E123</b>	RH clearance light N° 2	053	F91	10	030
<b>E124</b>	LH front side/parking lights	057	F91	10	030
<b>E131</b>	RH clearance lights N° 3	053	F91	10	030
<b>E132</b>	RH clearance lights N° 4	053	F91	10	030
<b>E137</b>	RH rear side/parking lights	055	F91	10	030
<b>E144</b>	Roof LH side/parking lights	053	F91	10	030
<b>E149</b>	Sunshade-mounted LH marker lights	053	F91	10	030
<b>G006</b>	Vehicle power supply management ECU (ADR)	015	F91	10	030
<b>E125</b>	RH front side/parking lights	053	F92	10	030
<b>E128</b>	LH clearance lights N° 3	053	F92	10	030
<b>E129</b>	LH clearance lights N° 4	053	F92	10	030
<b>E133</b>	LH clearance lights N° 1	053	F92	10	030
<b>E134</b>	LH clearance lights N° 2	053	F92	10	030
<b>E138</b>	LH rear side/parking lights	055	F92	10	030
<b>E145</b>	Roof LH side/parking lights	053	F92	10	030
<b>E150</b>	Sunshade-mounted RH marker lights	053	F92	10	030
<b>A295</b>	Available power supply (RH rear marker lights)	900	F93	10	030
<b>X900</b>	15-pin trailer socket	890	F93	10	030
<b>A294</b>	Available power supply (LH rear marker lights)	900	F94	10	030
<b>X900</b>	15-pin trailer socket	890	F94	10	030
<b>O000</b>	Instruments and controls night lighting	-	F96	03	020
<b>A297</b>	Available power supply (night lighting)	901	F97	05	020
<b>D039</b>	Main beam headlights warning light	851	F100	15	032
<b>D041</b>	Fog driving lights warning light	851	F100	15	032
<b>E502</b>	RH main beam headlight	057	F100	15	032
<b>E503</b>	LH dipped beam headlight	057	F100	15	032
<b>E506</b>	LH fog driving light	057	F100	15	032
<b>E507</b>	RH fog driving light	057	F100	15	032
<b>D026</b>	Fog lights warning light	850	F101	10	032
<b>E116</b>	RH rear fog light	055	F101	10	032
<b>E117</b>	LH rear fog light	055	F101	10	032
<b>X900</b>	15-pin trailer socket	890	F101	10	032
<b>D001</b>	Principal information display	851	F102	10	057
<b>E508</b>	RH long range driving light	057	F102	10	057
<b>E509</b>	LH long range driving light	057	F102	10	057
<b>A253</b>	Available power supply (reverse gear information)	900	F103	10	024
<b>B151</b>	Reversing buzzer inhibition control	055	F103	10	024
<b>E141</b>	LH reversing lights	055	F103	10	024
<b>E142</b>	RH reversing lights	055	F103	10	024
<b>L004</b>	External horn	055	F103	10	024
<b>X900</b>	15-pin trailer socket	890	F103	10	024
<b>E119</b>	LH stop lights	055	F104	10	032
<b>E120</b>	RH stop lights	055	F104	10	032
<b>X900</b>	15-pin trailer socket	890	F104	10	032
<b>K002</b>	Air/air add-on heater	090/094	F108	20	030

Table of relays on distribution box



70 6832

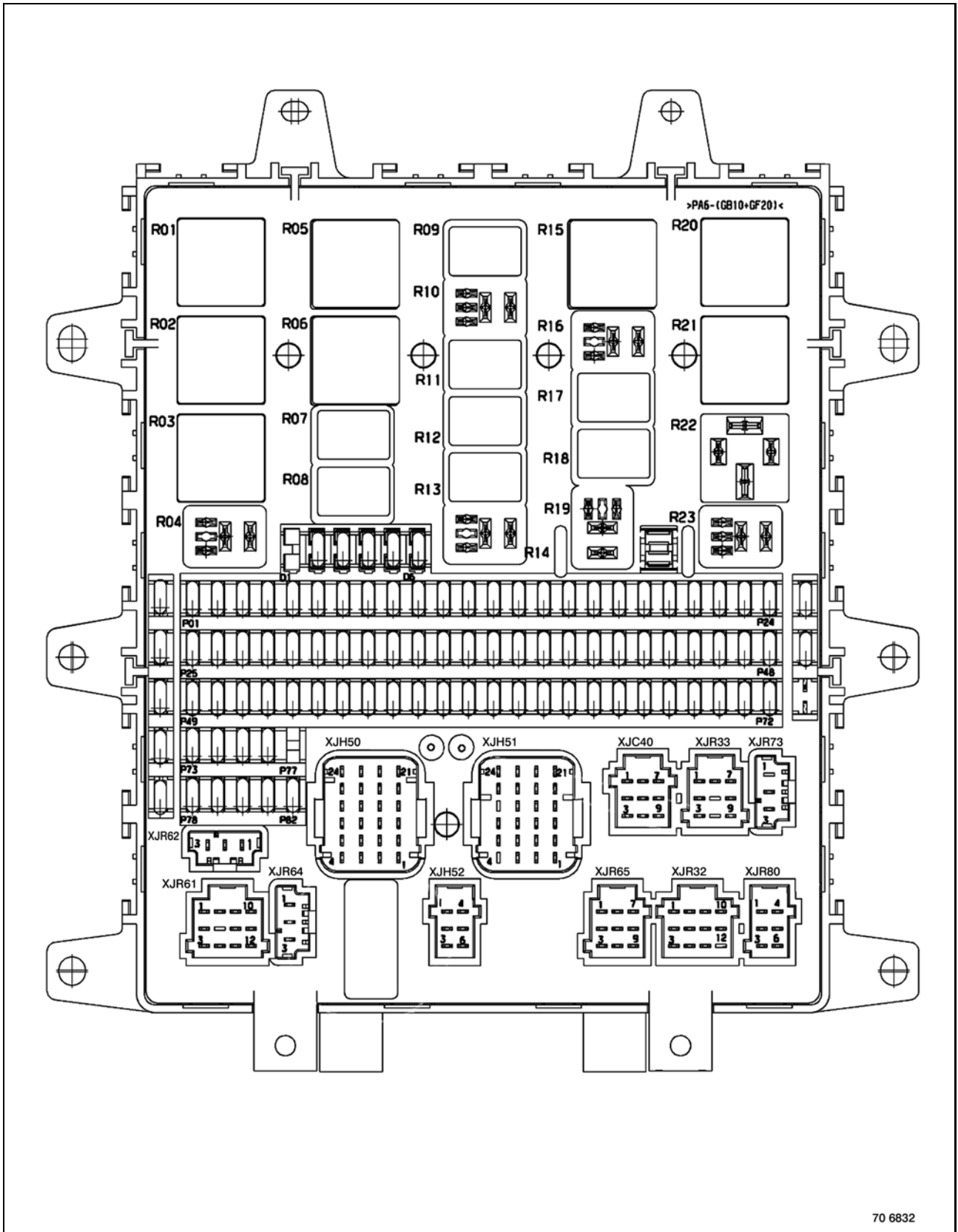


## Table of relays on distribution box

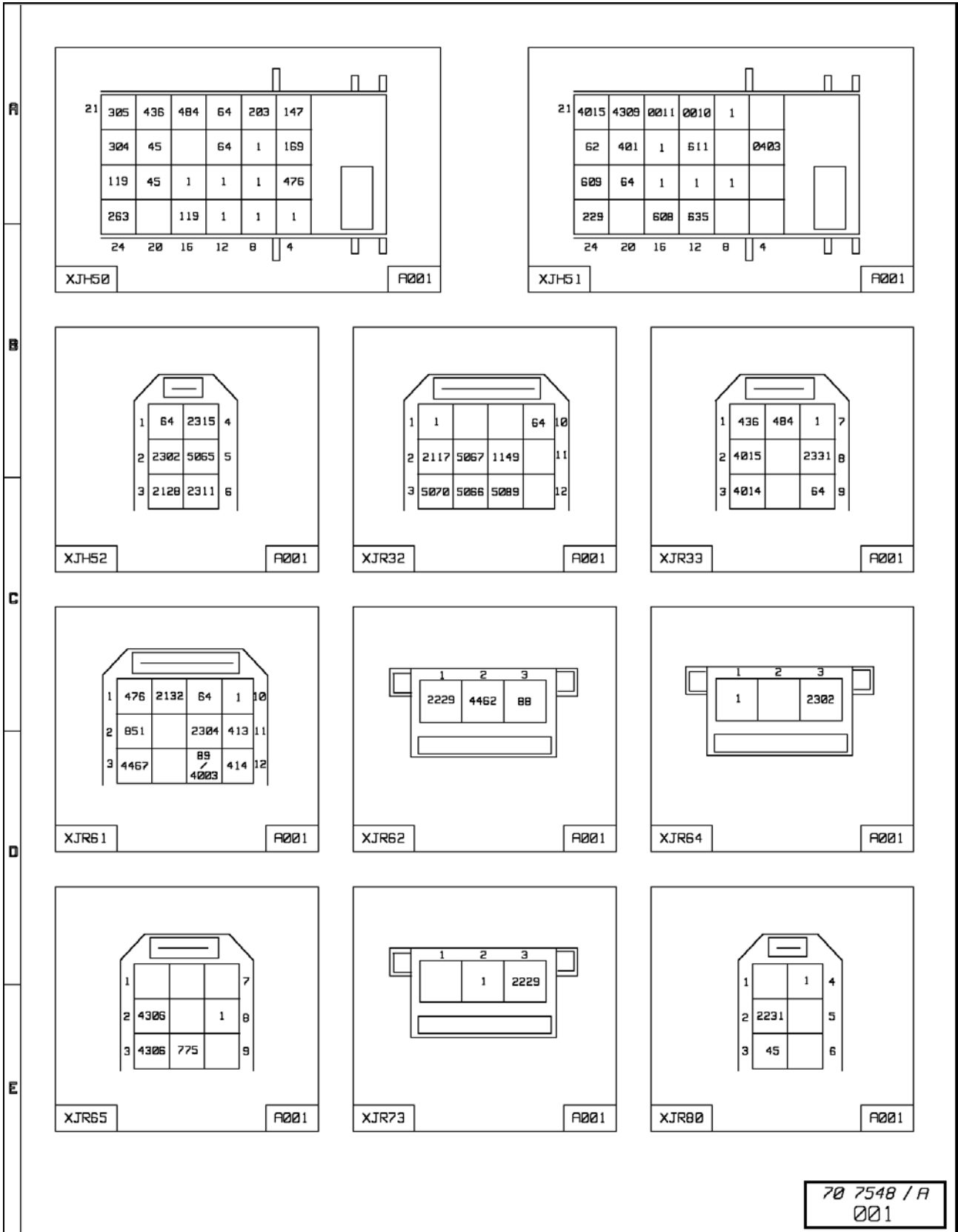
Code	Function name	Relay item N°	Amperage	Diagram page N°
<b>S001</b>	After ignition power supply relay N° 1	R01	50	022
<b>S002</b>	After ignition power supply relay N° 2	R02	50	024
<b>S003</b>	After ignition power supply relay N° 3	R03	50	026
<b>S500</b>	Heated and swivelling rearview mirror power supply relay	R04	10	024
<b>S022</b>	Alternator controlled power supply relay (engine running)	R05	20	026
<b>S105</b>	RH and LH side/parking and marker lights power supply relay	R06	20	030
<b>S106</b>	Switches night lighting power supply relay	R07	10	020
<b>S104</b>	Reversing lights power supply relay	R08	10	024
<b>S102</b>	Main beam headlights power supply relay	R09	10	032
<b>S021</b>	Alternator circuit earthing relay (ADR)	R10	10	026
<b>S453</b>	Add-on heater power supply relay	R10	10	092
<b>S300</b>	Cab tilting safety and authorization relay	R11	10	604
<b>S107</b>	RH and LH side/parking and marker lights power supply relay (trailer and bodybuilder)	R12	10	030
<b>S100</b>	Stop lights power supply relay	R13	10	032
<b>S109</b>	Long range driving lights power supply relay	R14	10	057
<b>S400</b>	Windscreen wipers motor time-delay relay	R15	20	024
<b>S200</b>	Automatic transmission management ECU power supply relay	R16	10	120/ 122
<b>S020</b>	Starting relay	R17	10	028
<b>S101</b>	Rear fog lights power supply relay	R18	10	032
<b>S202</b>	Air suspension power supply relay	R19	10	030
<b>S201</b>	Vehicle and engine ECUs power supply relay	R20	50	028
<b>S004</b>	Accessories power supply relay N° 1	R21	50	028
<b>S005</b>	Accessories power supply relay N° 2	R22	50	028
<b>S103</b>	Fog driving lights power supply relay	R23	10	032



Electrical distribution box - Connector face A



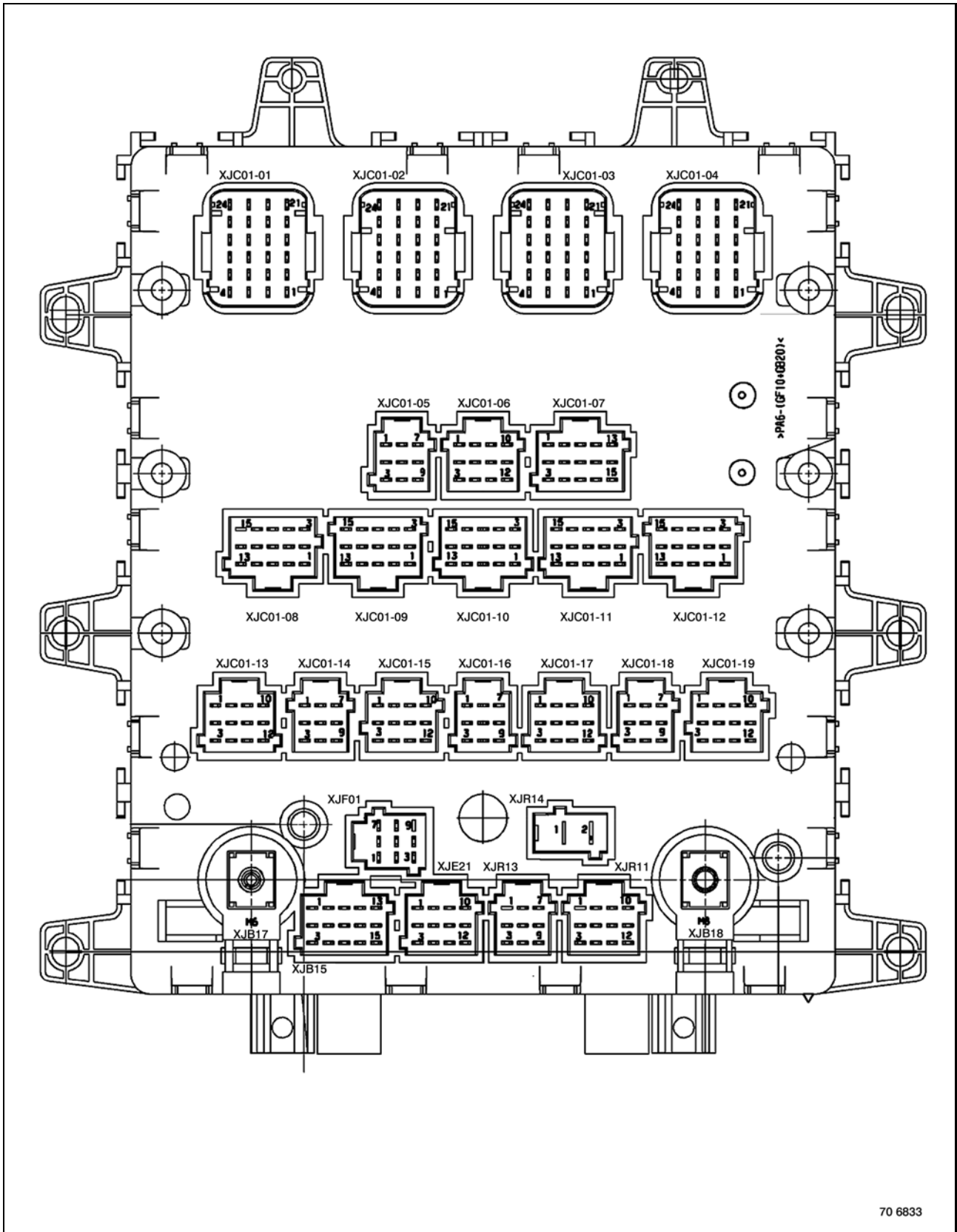
70 6832



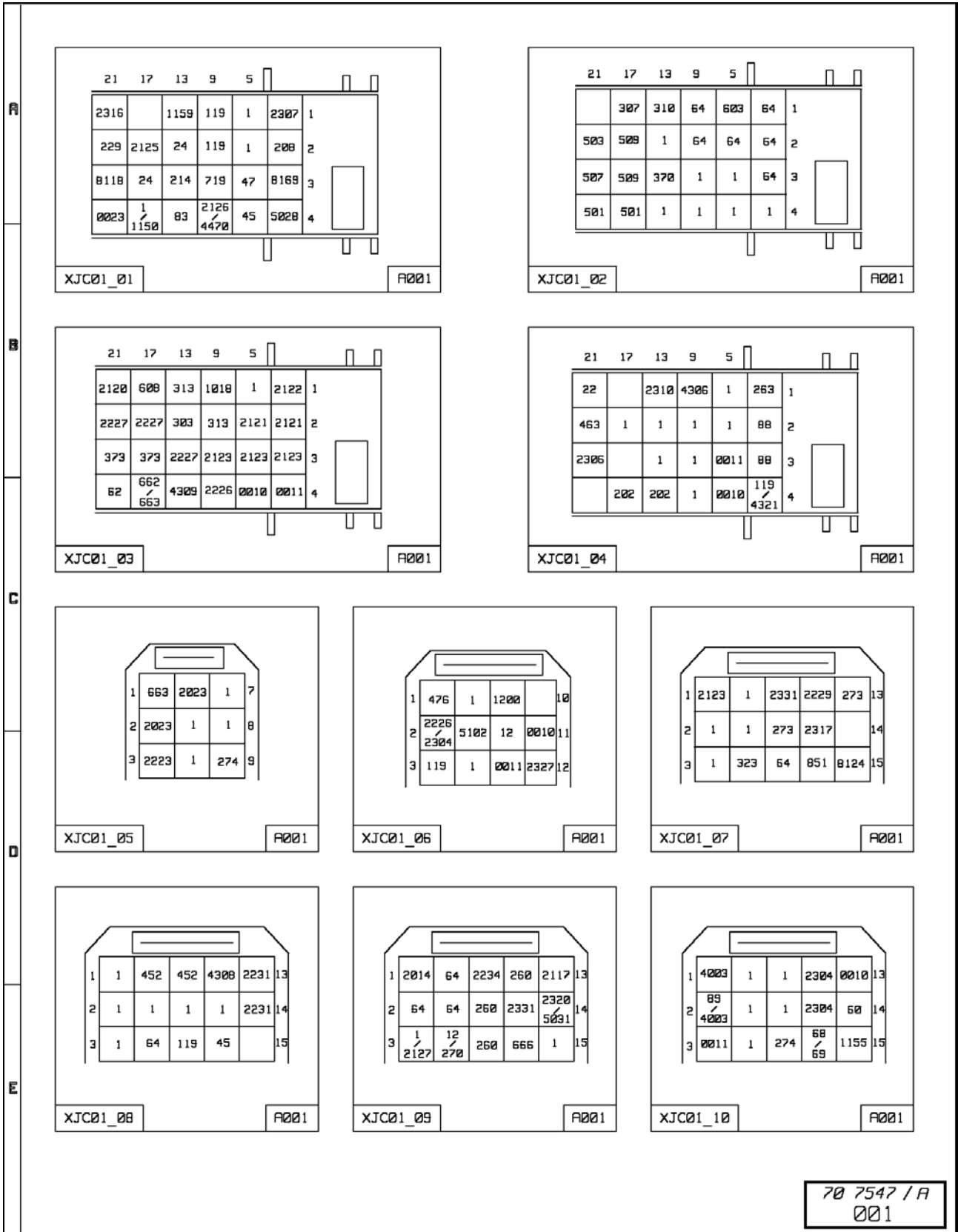
**Electrical distribution box - Connector face A**

Connector item N°	Function name	Colour	Nr of ways
XJC40	Not used	-	-
XJH50	Top ledge wiring harness	Y	24
XJH51	Top ledge wiring harness	GN	24
XJH52	Top ledge wiring harness	NL	6
XJR32	Central console wiring harness	NL	12
XJR33	Central console wiring harness	BL	9
XJR61	Independent heating equipment	LBL	12
XJR62	ADR-specific independent heating equipment	GR	03
XJR64	Refrigerator or pack equipment wiring harness	BL	03
XJR65	Heated seats equipment wiring harness	Y	09
XJR73	Bunk and tool compartment lighting wiring harness	SB	3
XJR80	Independent heating equipment	BL	06

Electrical distribution box - Connector face A

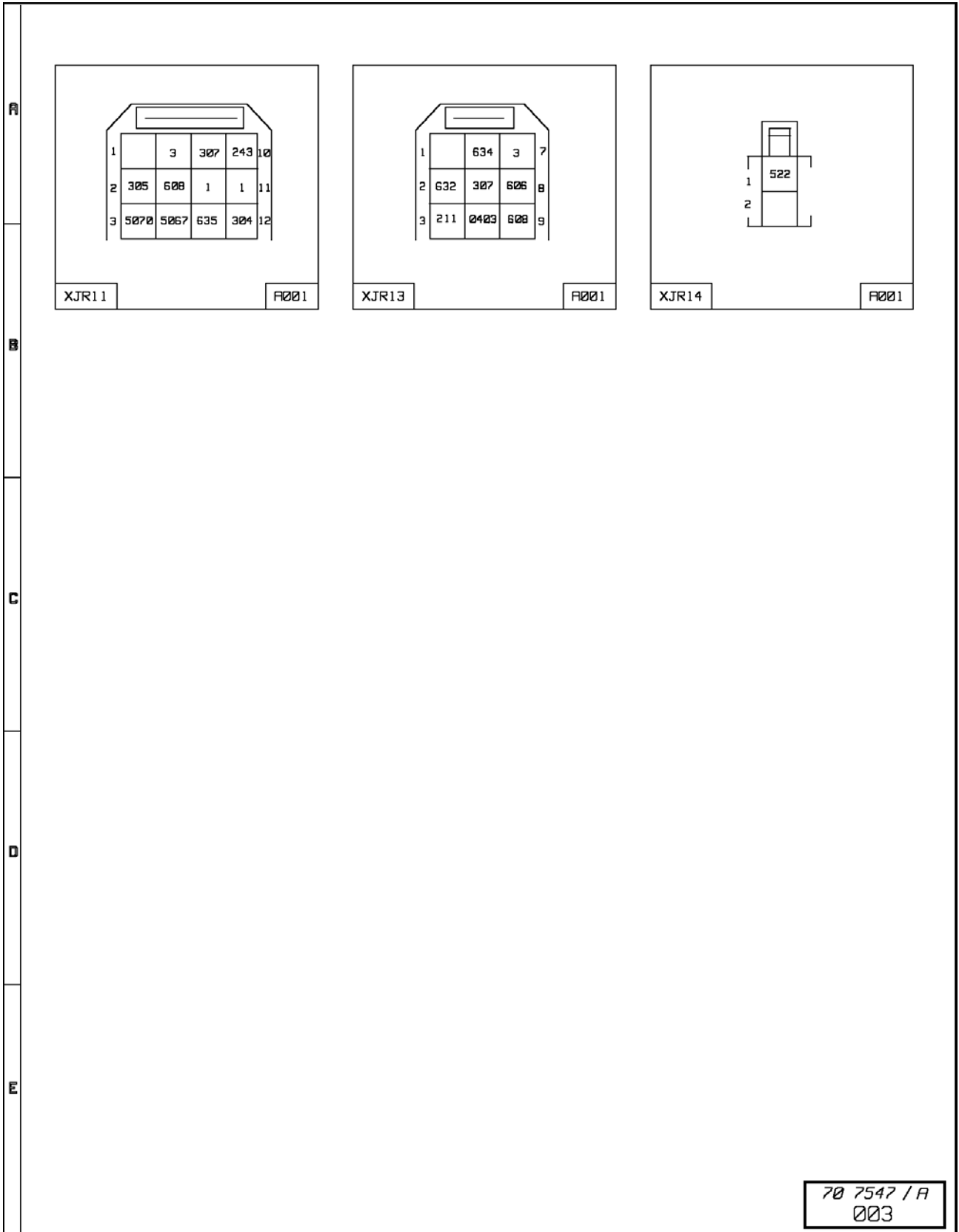


70 6833



A			
B			
	<div style="border: 1px solid black; padding: 5px; display: inline-block;">                     70 7547 / A 002                 </div>		
	E		

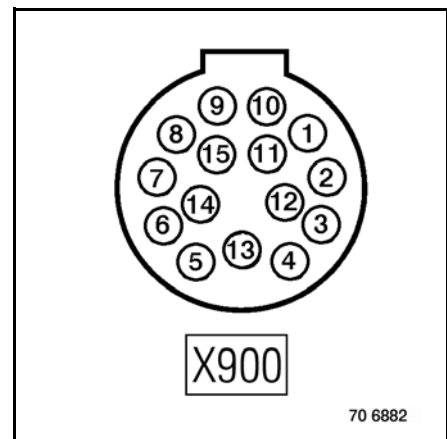




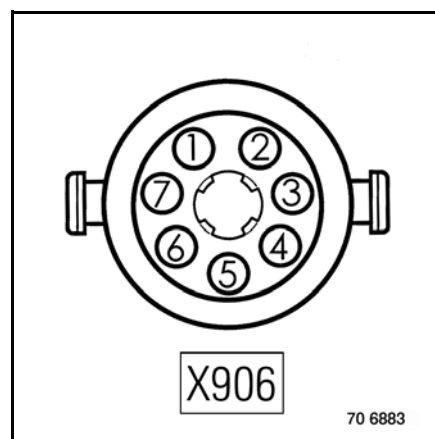
**Electrical distribution box - Connector face A**

Connector item N°	Function name	Colour	Nr of ways
XJB15	Battery compartment wiring harness	VO	15
XJC01_01	Dashboard wiring harness	Y	24
XJC01_02	Dashboard wiring harness	GN	24
XJC01_03	Dashboard wiring harness	Y	24
XJC01_04	Dashboard wiring harness	GN	24
XJC01_05	Dashboard wiring harness	Y	09
XJC01_06	Dashboard wiring harness	NL	12
XJC01_07	Dashboard wiring harness	VO	15
XJC01_08	Dashboard wiring harness	LVO	15
XJC01_09	Dashboard wiring harness	LBL	15
XJC01_10	Dashboard wiring harness	NL	15
XJC01_11	Dashboard wiring harness	LVO	15
XJC01_12	Dashboard wiring harness	BL	15
XJC01_13	Dashboard wiring harness	BL	12
XJC01_14	Dashboard wiring harness	NL	09
XJC01_15	Dashboard wiring harness	LVO	12
XJC01_16	Dashboard wiring harness	LBL	09
XJC01_17	Dashboard wiring harness	LBL	12
XJC01_18	Dashboard wiring harness	Y	09
XJC01_19	Dashboard wiring harness	LVO	12
XJE21	Power unit equipment wiring harness	GN	12
XJF01	Front signalling and lighting wiring harness	Y	09
XJR11	Rear line wiring harness	NL	12
XJR13	Trailer sockets wiring harness	NL	09
XJR14	Trailer sockets wiring harness	SB	02

**TRAILER SOCKETS**

**X03 Trailer socket 15 -pin type**

Pin item N°	Name of function	Fuse item N°	Amperage
1	Trailer LH flashing lamps	-	-
2	Trailer RH flashing lamps	-	-
3	Trailer fog lights	F101	10A
4	Chassis - vehicle rear / trailer earth link earth	-	-
5	Trailer LH side/parking lamp	F94	10A
6	Trailer RH side/parking lamp	F93	10A
7	Trailer stop lamp	F104	10A
8	Trailer reversing lamp	F103	10A
9	Trailer 24 Volts positive (+) power supply after master switch	F64	10A
10	Pin not connected	-	-
11	Pin not connected	-	-
12	Pin not connected	-	-
13	Available power supply (PLC 1 min. input)	-	-
14	Available power supply (before master switch)	-	-
15	Pin not connected	-	-

**X02R Trailer socket 7 -pin type "EBS"**

Pin item N°	Name of function	Fuse item N°	Amperage
1	Trailer 24 Volts positive (+) power supply after master switch	F21	20A
2	Bodybuilder available connector	F70	10A
3	Chassis - vehicle rear / trailer earth link earth	-	-
4	Chassis - vehicle rear / trailer earth link earth	-	-
5	Trailer ABS safety warning lamp	-	-
6	CAN BUS J11992-2 (H)	-	-
7	CAN BUS J11992-2 (L)	-	-



**AVAILABLE POWER SUPPLIES**

## Available power supplies

All electrical connections must be made, without fail, to the available power supplies made available by RENAULT TRUCKS.

It is strictly forbidden to make an electrical tapping on any of the different wiring harnesses on the vehicle.

It is compulsory to use and adapt connectors and wiring harnesses officially approved and distributed by RENAULT TRUCKS.

Cable sections should be adapted to the required use. RENAULT TRUCKS recommends a value of 7 Amps per mm<sup>2</sup> for calculating the cross-section of the conductor.

Make use of the circuit protections recommended by RENAULT TRUCKS.



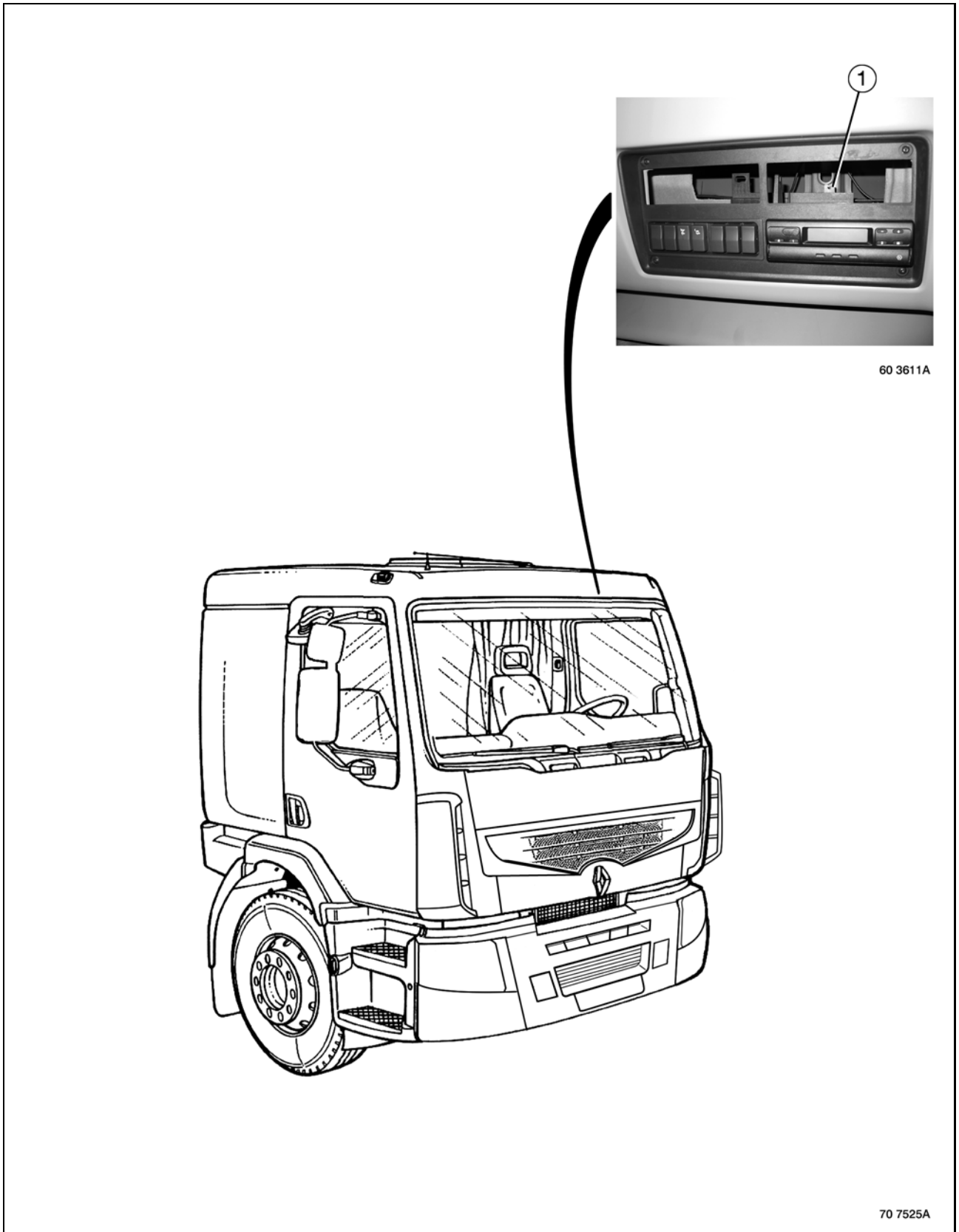
**IT IS FORBIDDEN TO CHANGE FUSE RATINGS.**



**There is a high risk of irreparable damage being caused to the ECUs if electrical loads are applied without integrated protection.**



Available power supplies



## Available power supplies

Location 1

### Key to appliances

Function name	Polarity N°	Fuse item N°	Amperage
Available power supply (CB +)	4000	-	-
Available power supply (CB -)	144	-	-
Pre-arrangement for CB radio cable antenna	-	-	-
Available power supply (vehicle earth)	1	-	-
Available power supply (after master switch)	2311	F32	10
Available power supply (night lighting)	2128	F97	05
Available power supply (radio-telephone +)	155	-	-
Available power supply (radio-telephone -)	4460	-	-



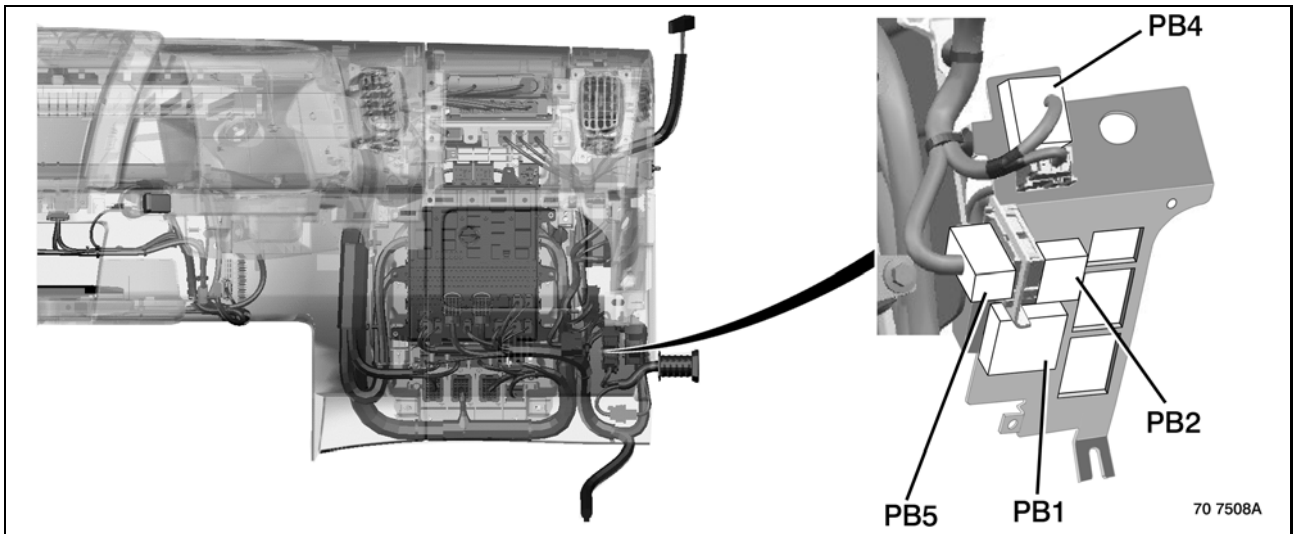
*A passage for the bodybuilder's wiring harness is reserved for that purpose on the chassis-cab connection.*



**It is forbidden to use the other connectors fitted to the chassis-cab connection.**

## Available power supplies

### Available power supplies



#### Location PB1

#### Key to appliances

Function name	Polarity N°	Fuse item N°	Amperage
Available power supply (vehicle earth)	1	-	-
Available power supply (after ignition)	2234	F71	15
Available power supply at alternator (engine running information)	4306	F75	15
Available power supply (PTO 1 control)	1140	-	-
Available power supply (reverse gear information)	608	F103	10
Available power supply (parking brake information)	8118	-	1
Available power supply (PTO 1 warning light)	8169	-	-
Available power supply (EGSP request for information)	8067	-	-
Available power supply (engine speed)	7	-	0.5
Available power supply (PTO 1)	8093	-	0.410mA
Available power supply (engine speed selection N° 1)	1026	-	-
Available power supply (gearbox neutral information)	12	-	1
Available power supply (engine speed deceleration request)	8119	-	-
Available power supply (engine speed selection N° 2)	1141	-	-
Available power supply (corrected tachograph speed information)	5108	-	500µA
Available power supply (engine speed acceleration request)	8120	-	-
Available power supply (engine stop control)	8110	-	-
Available power supply (low speed)	1025	-	1
Available power supply (automatic return to main engine speed)	8121	-	-
Available power supply (after master switch)	208	F77	15
Available power supply (vehicle earth)	1	-	-
Unconnected pin	-	-	-

Location **PB2****Key to appliances**

Function name	Polarity N°	Fuse item N°	Amperage
Unconnected pin	-	-	-
Unconnected pin	-	-	-
Available power supply (chassis)	8116	-	-
Available power supply (bodybuilder equipment control)	0460	-	-
Available power supply (30 km/h limitation)	8020	-	-
Available power supply (equipment switched on warning light)	8083	F25	10
Available power supply (bodybuilder equipment control)	0461	-	-
Available power supply (engine stop control)	5074	-	-
Available power supply (lighting)	618	F25	10
Unconnected pin	-	-	-
Available power supply (6 km/h limitation)	8095	-	-
Available power supply (equipment in working position warning light)	651	-	-
Unconnected pin	-	-	-
Available power supply (reverse forbidding inhibition)	8227	-	-
Available power supply (alarm stopping)	8084	-	-
Available power supply (suspension level control actuation)	8137	-	-
Available power supply (suspension level control)	8138	-	-
Available power supply (independent heating cut-off)	89	-	-
Unconnected pin	-	-	-
Unconnected pin	-	-	-
Unconnected pin	-	-	-

Location **PB4**

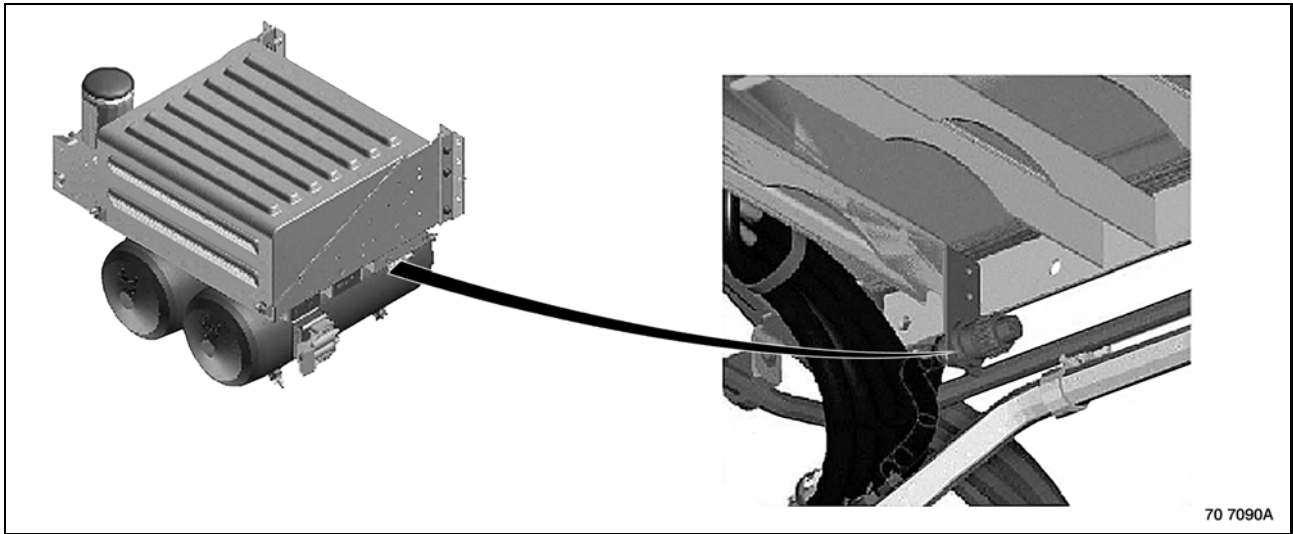
IT IS STRICTLY FORBIDDEN TO USE THE CONNECTOR IN POSITION PB4. ONLY RENAULT TRUCKS SERVICE POINTS OR DEALERS ARE QUALIFIED TO UPGRADE VEHICLES BY ADDING "EXPERT" FUNCTIONS MANAGED BY THE BODYBUILDER PREARRANGEMENTS MANAGEMENT BOX.

Location **PB5****Key to appliances**

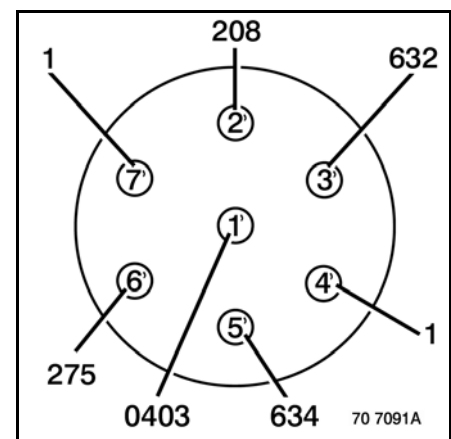
Function name	Polarity N°	Fuse item N°	Amperage
Available power supply (PTO 3 control)	8112	-	-
Available power supply (PTO 2 control)	8113	-	-
Available power supply (engine start control)	8100	-	-
Available power supply (PTO 3 warning light)	158	-	-
Available power supply (PTO 2 warning light)	8134	-	-
Available power supply (engine starting information)	8108	-	-
Available power supply (PTO 3 solenoid valve piloting)	8115	-	-
Available power supply (PTO 2 solenoid valve piloting)	8161	-	-
Available power supply (engine alert)	8104	-	-
Available power supply (parameter definable frequency-related output)	8170	-	-
Available power supply (PLC 2 min. output)	8122	-	-
Available power supply (PLC 1 min. output)	8123	-	-
Unconnected pin	-	-	-
Available power supply (PLC 2 min. input)	8132	-	-
Available power supply (PLC 1 min. input)	8131	-	-
Available power supply (engine speed)	0384	-	-
Available power supply (engine speed set-point validation)	8136	-	-
Available power supply (CAN bus disabling)	8133	-	-
Unconnected pin	-	-	-
Available power supply (low level CAN bus J1939)	0413	-	-
Available power supply (high level CAN bus J1939)	0414	-	-

## Available power supplies

### Available power supplies



Location **PB3**



### Key to appliances

Function name	Polarity N°	Fuse item N°	Amperage
Available power supply (vehicle earth)	1	-	-
Available power supply (vehicle earth)	1	-	-
Available power supply (after master switch)	208	F77	15
Available power supply (after ignition)	275	F26	15
Available power supply (LH rear marker lights)	632	F94	10
Available power supply (RH rear marker lights)	634	F93	10
Available power supply (rigid perimetric protection module)	0403	-	-

**DEALER NETWORK AND CUSTOMER FOLLOW-UP**

